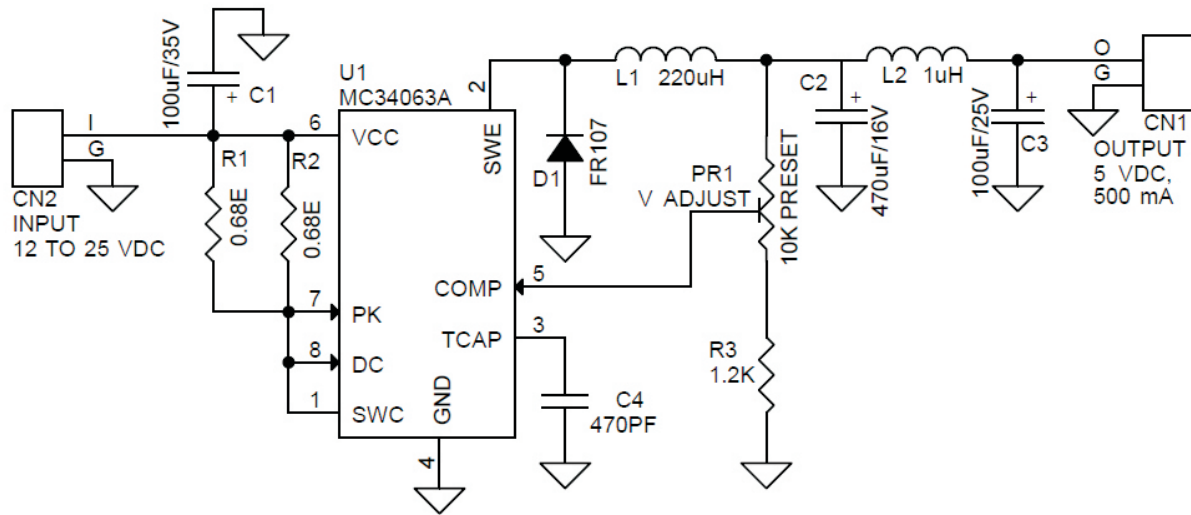


5V STEP-DOWN DC TO DC CONVERTER

MC34063A IC is heart of the project from on semiconductor, MC34063 is specifically designed to be incorporated in Step-Down and Step-Up and Voltage-Inverting applications.

- Input supply 12 to 25 VDC
- Output 5 VDC, 500 mA
- Onboard preset for precise V Adjust
- Low ripple
- Small size minimum external components
- Frequency 100 KHz
- Low standby current



BOM			
SR.	QTY.	REF.	DESCRIPTION
1	1	CN1,CN2	4 PIN RA/ST HEADER CONNECTOR
2	2	C1,C3	100uF/25V
3	1	C2	470uF/16V
4	1	C4	560pF
5	1	D1	FR107 OR 1N5819
6	1	L1	220uH
7	1	L2	1uH
8	1	PR1	10K PRESET
9	2	R1,R2	1E
10	1	R3	1.2K
11	1	U1	MC34063A
12	1	SOCKET	8 PIN DIP IC SOCKET

