

16 CHANNEL INFRA RED REMOTE

16 Channel Infra-Red remote controller is based on PIC16F73 Microcontroller from Microchip. The receiver part follows RC5 (Philips) Code Format. Tiny receiver provides 16 latch outputs or 8 Latch + 8 Momentary outputs by closing Jumper J1. All outputs are TTL and can drive Relay board or solid state relay. The circuit uses TSOP1738 Infra-Red receiver module which provides high degree of noise immunity against interfering light source.

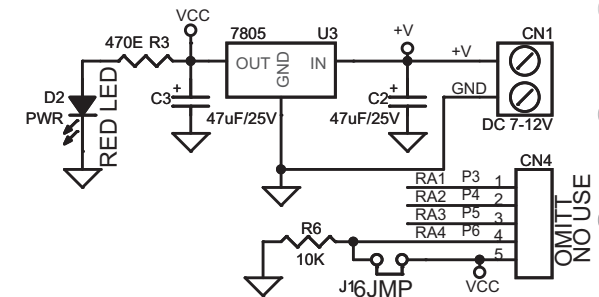
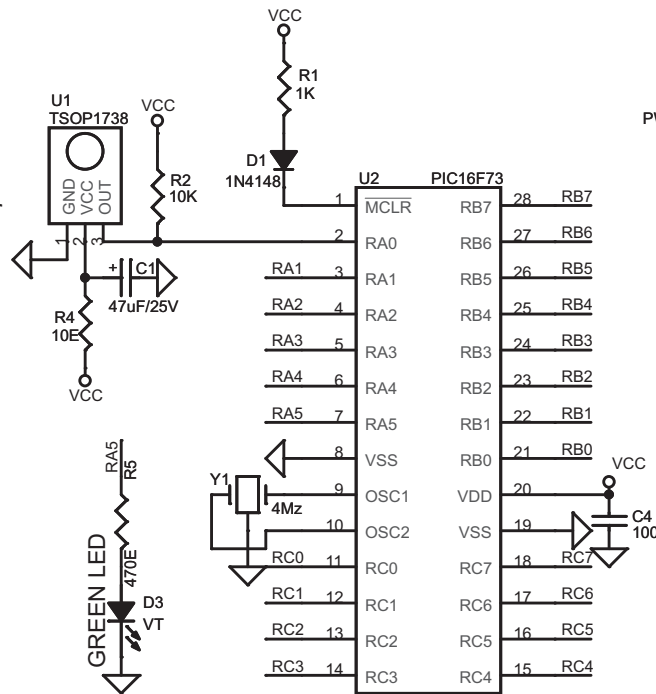


Features

- Supply Remote Transmitter RC5 Philips 2XAAA Battery
- Supply Receiver 7V to 12V DC
- Modulation 38Khz
- Philips RC5 Code Format
- Operating range up to 20 feet
- 2 Pin Screw Terminals for Supply Input
- On Board Power LED
- Onboard VT (Valid Transmission) LED
- All Outputs TTL Level provided with Header Connector
- Jumper (J1) for Mode Selection
- J1 Open 16 Latch Outputs
- J1 Closed 8Latch + 8 Momentary

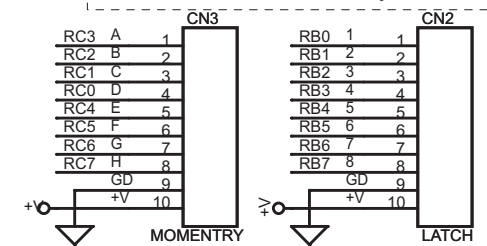
Application

- Robotics
- Lights
- Fans
- Home Appliances
- Remote Door closer
- Remote Curtains
- Security Systems

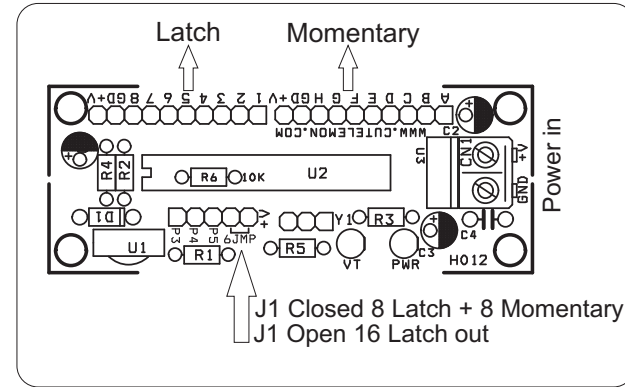
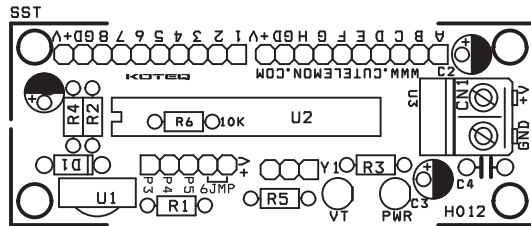
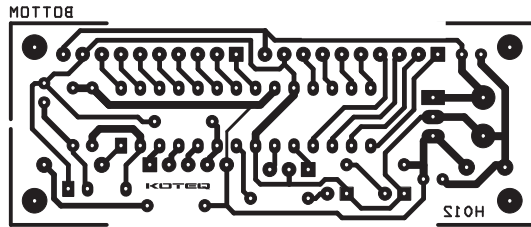


Jumper Open
16 Latch Output

Jumper Closed
8 Latch and 8 Momentary Out
1,2,3,4,5,6,7,8 Latch
A B C D E F G H Momentary



16 CHANNEL INFRA RED REMOTE



1	1	CN1	PBT SCREW TERMINAL
2	1	CN2	10 PIN HEADER CONNECTOR
3	1	CN3	10 PIN HEADER CONNECTOR
4	1	CN4	OPTIONAL (NO USE)
5	3	C1,C2,C3	47uF/25V
6	1	C4	0.1uF
7	1	D1	1N4148 DIODE
8	1	D2	3MM RED LED
9	1	D3	3MM GREEN LED
10	1	J1	2 PIN JUMPER & CLOSER
11	1	R1	1K
12	2	R2,R6	10K
13	2	R3,R5	470E
14	1	R4	10E
15	1	U1	TSOP1738
16	1	U2	PIC16F72 or PIC16F73
17	1	SOCKET	28 PIN DIP IC SOCKET
18	1	U3	L7805 5V REGULATOR
19	1	Y1	4Mz CERAMIC RESONATOR

