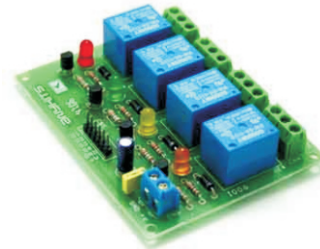


## QUAD CHANNEL RELAY BOARD

Quad Channel Relay Board is a simple and convenient way to interface 4 relays for switching application in your project.

- Input supply 12 VDC @ 170 mA
- Output four SPDT relay
- Relay specification 5 A @ 230 VAC
- Trigger level 2 ~ 5 VDC
- Berg pins for connecting power and trigger voltage
- LED on each channel indicates relay status
- Power Battery Terminal (PBT) for easy relay output and aux power connection
- Four mounting holes of 3.2 mm each
- PCB dimensions 88 mm x 68 mm



Applications : Robotics, Electronics projects, Industrial controls, Microwaves Oven, Fans, DC Motor, AC Lamp, Solenoids Remote Controls etc.

Relay Load (Contact Capacity of Relay)

7 A @ 230-250 VAC

10 A @ 120 VAC

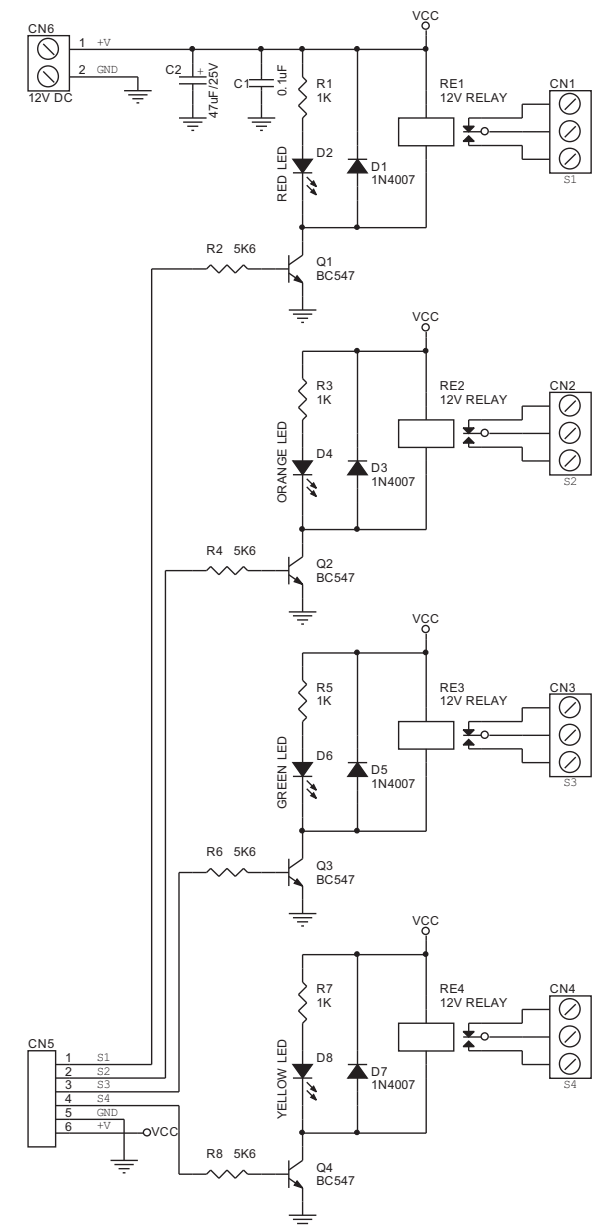
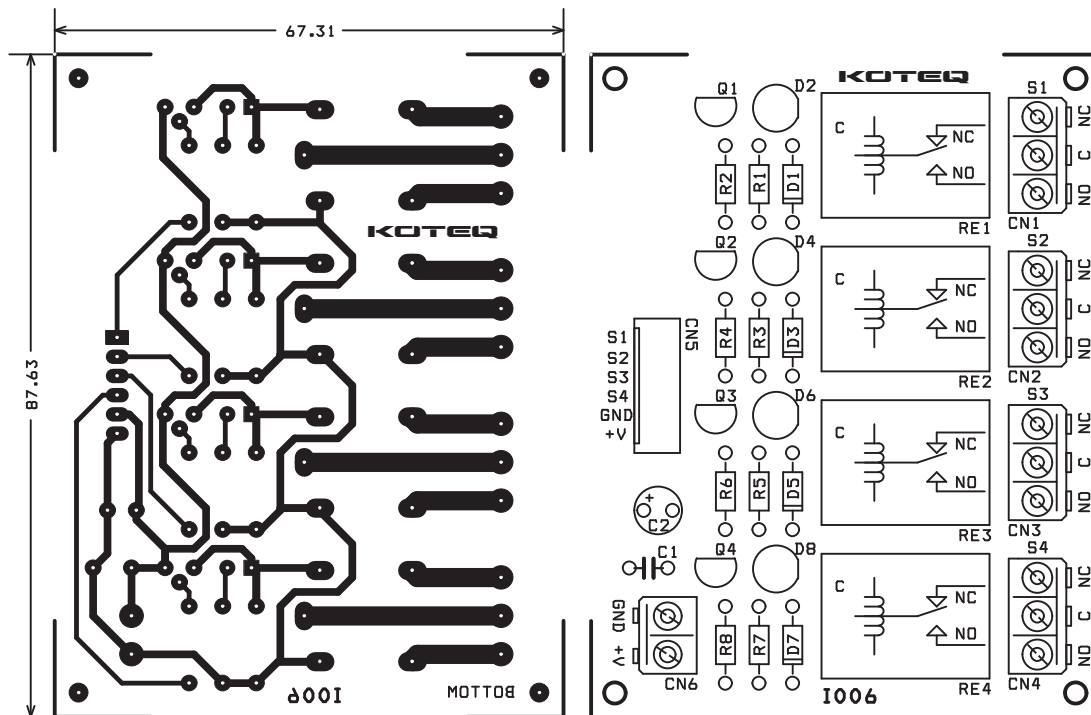
10 A @ 24 VDC

CN1 - CN4 Connector : Relay 1 to 4 (S1 to S4) Output (Normally Open/Normally Close)

CN5 Connector : Control Signal Input, Trigger 2 to 5 VDC and Supply Input 12 VDC

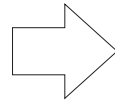
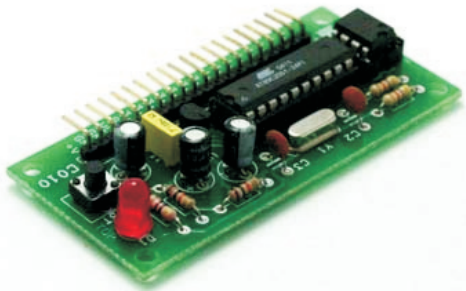
D2,D4,D6,D8 : Relay On/Off LED Indication

CN6 Connector : Axillary Supply 12 VDC

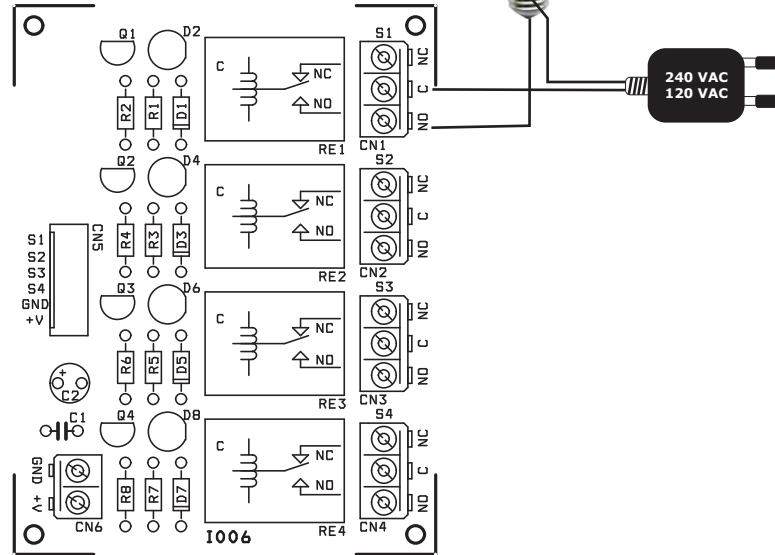


## QUAD CHANNEL RELAY BOARD

Micro-controller Board  
Controller Board  
Remote Receiver



Trigger Voltage 2-5 VDC, 10 mA



Wiring Diagram

SR.	QTY.	REF.	DESCRIPTION
1	4	CN1,CN2,CN3,CN4	3 PIN PBT CONNECTOR
2	1	CN5	6 PIN RELIMATE/BERG CONNECTOR
3	1	CN6	2 PIN PBT CONNECTOR
4	1	C1	0.1uF
5	1	C2	47uF/25V
6	4	D1,D3,D5,D7	1N4007
7	1	D2	RED LED
8	1	D4	GREEN LED
9	1	D6	YELLOW LED
10	1	D8	ORANGE LED
11	4	Q1,Q2,Q3,Q4	BC547
12	4	RE1,RE2,RE3,RE4	12V RELAY
13	4	R1,R3,R5,R7	1K
14	4	R2,R4,R6,R8	5.6K

