

BAR-GRAPH VOLT METER RANGE 0-5V DC (PIC16F686)

Tiny Bar-Graph displays provide a Red color bright, easy to read display of Voltage range of 0 to 5V. This Bar-Graph has 20 segments in single color and display 0 to 5V DC. The Barograph Voltage monitor is based on PIC microcontroller with 10 Bit resolution ADC. This high performance measurement provides unique capabilities and can be used in various applications. The Bar can display 0 to 5V with 20 LED with 0.25V (Approx.) resolutions. Each LED output provided with Solder- jumper for output set point can be configured for control, alarm, Relay.

Features

Supply 7.5 V to 18V DC (Direct 5V Input Possible)

Test Voltage Input 0 to 5V

Output Display 20 Color RED SMD LEDs

Compact Board with SMD Components

Supply input Header Connector

On Board 5V Regulator

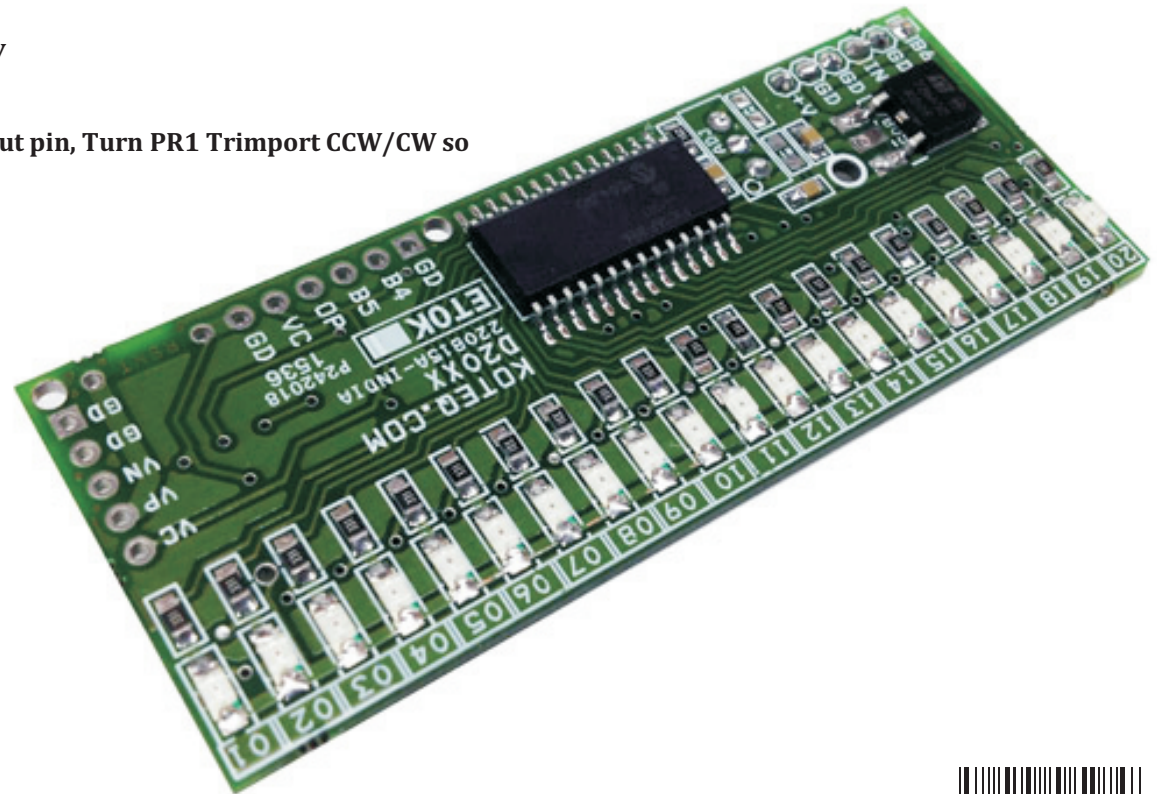
Resolution 0.25V Approx.

Onboard Trimport to Calibrate The Display Range.

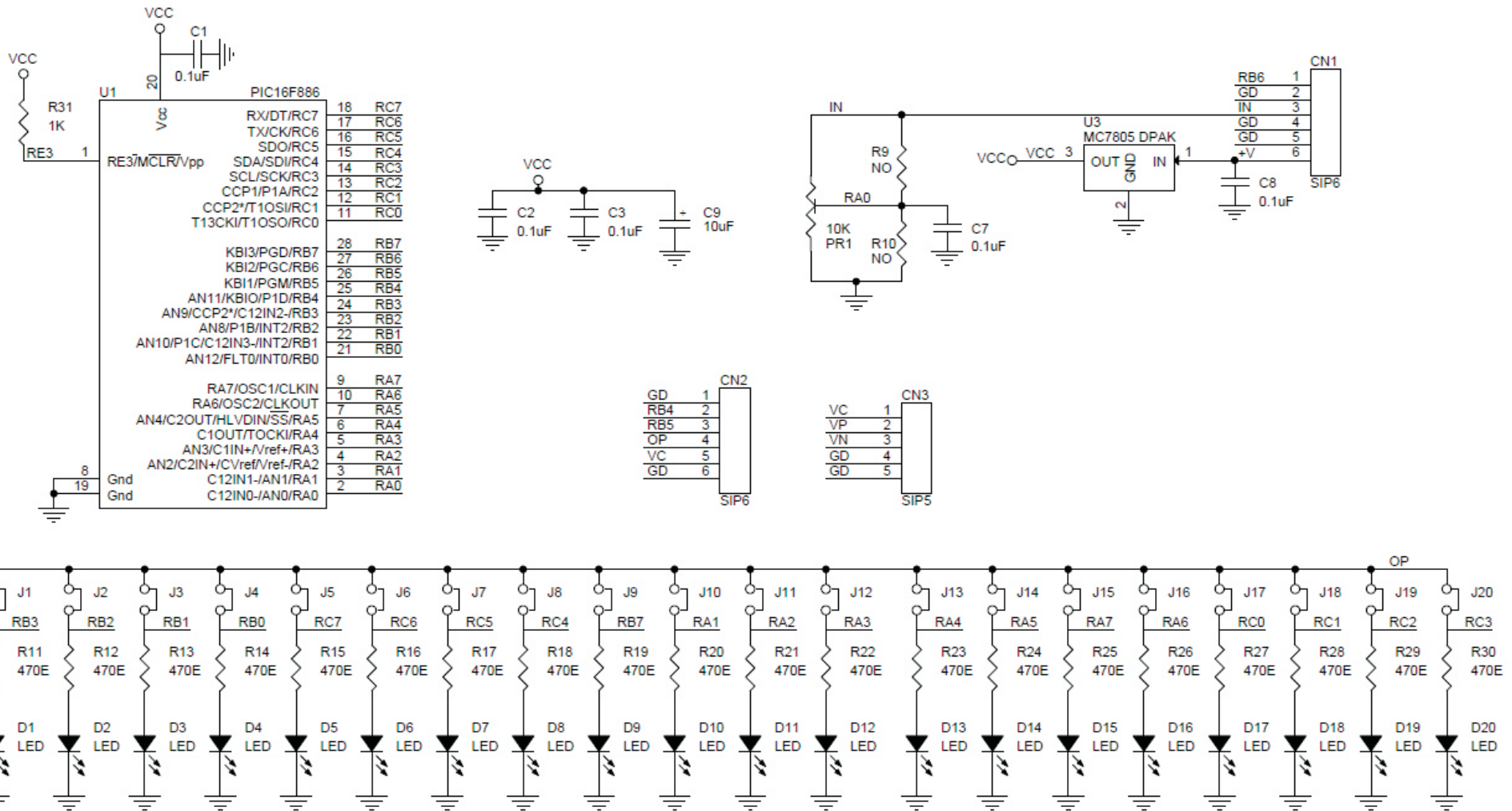
Solder Jumper on each LED for Output Control, Alarm, and Relay

PCB Dimensions 75.88 X 26.69 MM

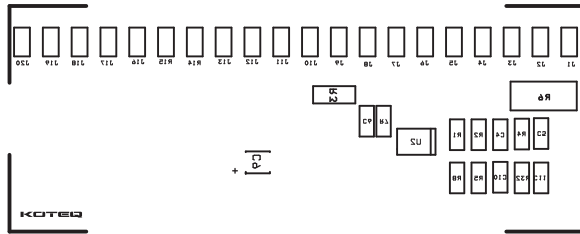
Calibration: **Apply 7V to 18V DC supply, Apply accurate 5V at Input pin, Turn PR1 Trimport CCW/CW so all LED glow.**



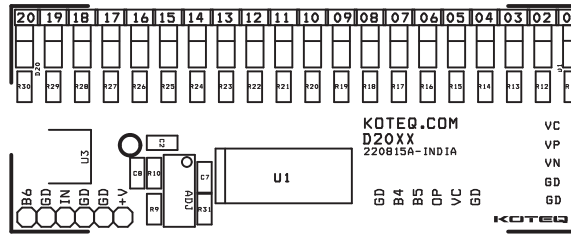
BAR-GRAPH VOLT METER RANGE 0-5V DC (PIC16F686)



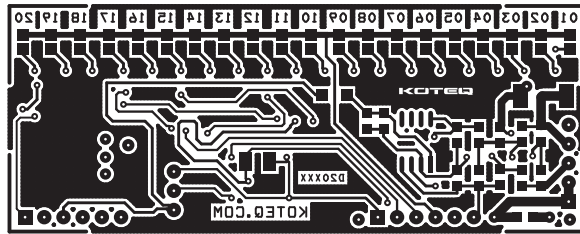
BAR-GRAPH VOLT METER RANGE 0-5V DC (PIC16F686)



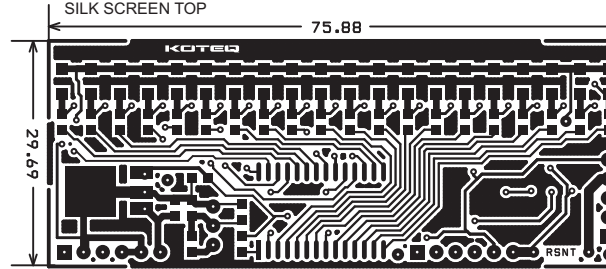
SILK SCREEN BOTTOM



SILK SCREEN TOP



BOTTOM



TOP

BOM

SR.	QNTY.	REF.	DESC.
1	2	CN1,CN2	6 PIN HEADER CONNECTOR
3	2	C1,C5	0.1uF SMD 0805
4	5	C2,C3,C4,C7,C8	0.1uF SMD 0805
6	1	C9	10uF 6V SMD 1210
7	20	D1,D2,D3,D4,D5,D6,D7,D8,D9,D10,D11,D12,D13,D14,D15,D16,D17,D18,D19,D20	RED LED SMD 0805
8	20	J1,J2,J3,J4,J5,J6,J7,J8,J9,J10,J11,J12,J13,J14,J15,J16,J17,J18,J19,J20	SOLDER JUMPER
9	2	R31	1K SMD 0805
10	20	R11,R12,R13,R14,R15,R16,R17,R18,R19,R20,R21,R22,R23,R24,R25,R26,R27,R28,R29,R30	470E SMD 0805
11	1	U1	PIC16F886 SO28
13	1	U3	MC7805 DPAK SMD
14	1	PR1	10K Preset
15	11	R1,R2,R3,R4,R5,R6,R7,R8,R9,R10,R32	OMIT
5	3	C6,,C10,C11	OMIT
2	1	CN3	OMIT
12	1	U2	OMIT



BAR-GRAPH VOLT METER RANGE 0-5V DC (PIC16F686)

