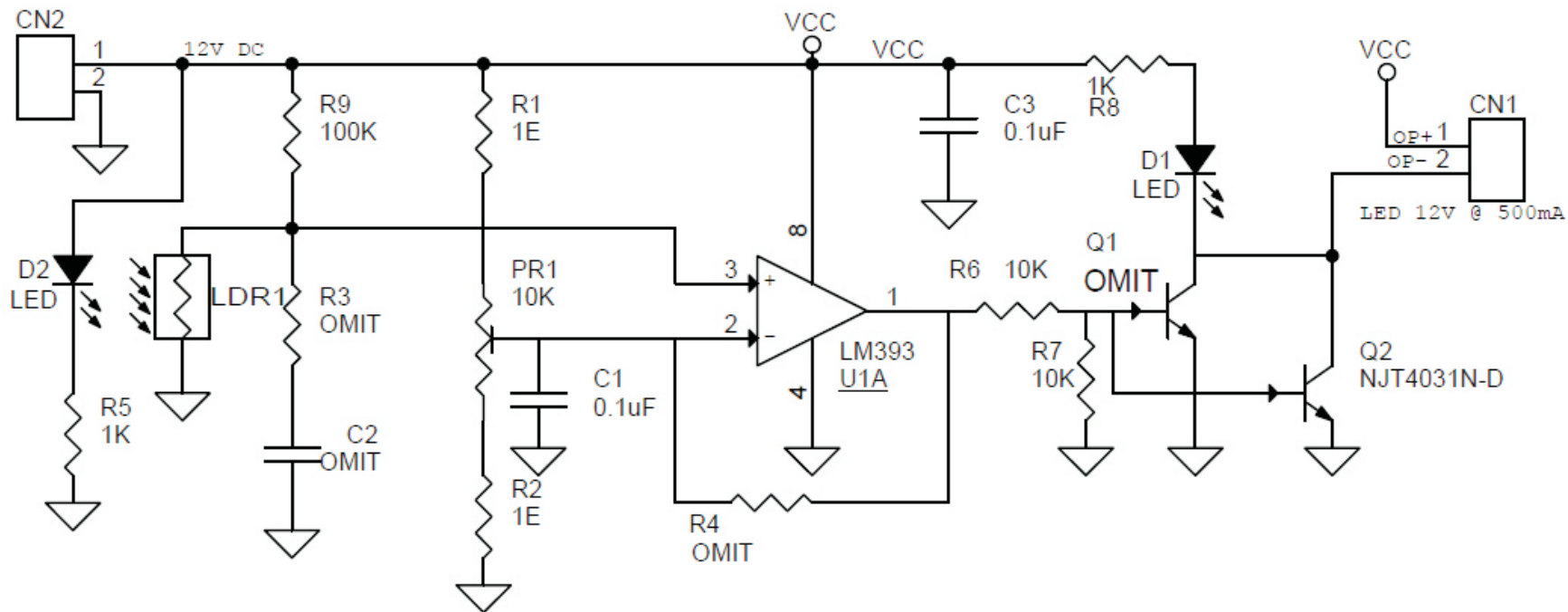
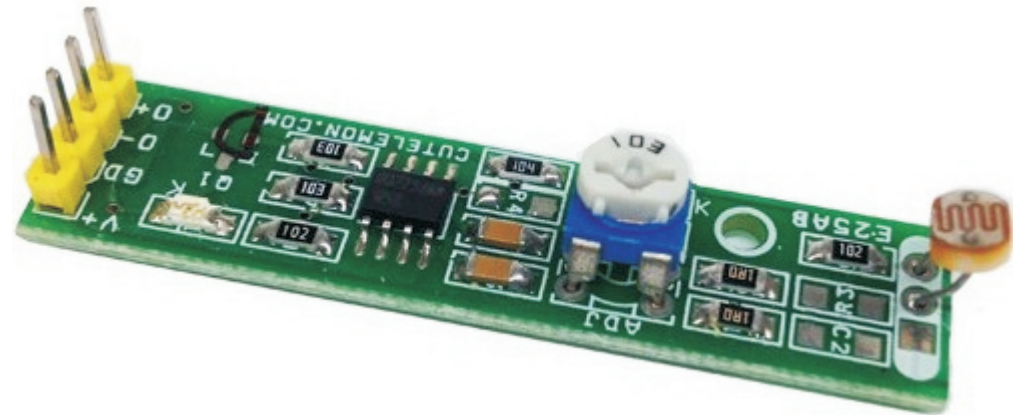


Dark Activated LED Light

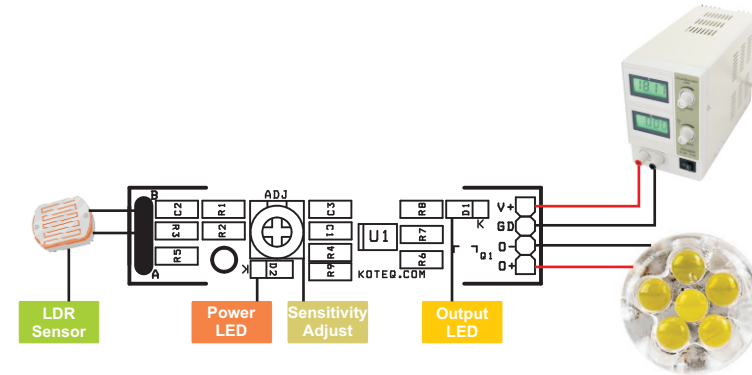
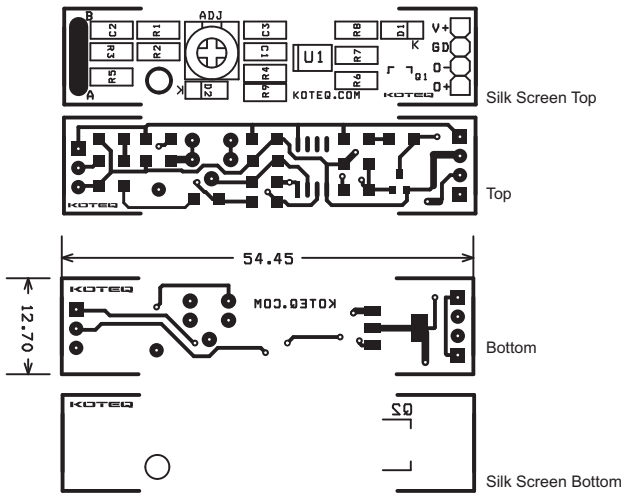
Dark activated LED light is a simple project which operates a LED when the light falling on the LDR goes below a set point. The circuit is built using LM393 comparator, LDR as light sensor, preset (potentiometer) for sensitive adjust, transistor to drive LED. The project can also be considered for use in energy saving application.

Features

- Input - 12 V @ 1A
- LED Load 12V 500mA Maximum (6W)
- Onboard Preset to Set the Level
- Operation LED Indicator
- On Board Power LED
- Header Connector for Power Supply and LED
- PCB dimensions 55.45MM X 12.70 MM



Dark Activated LED Light



BOM			
SR.	QNTY.	REF.	DESC.
1	2	CN1,CN2	2 PIN HEADER CONNECTOR
2	2	C1,C3	0.1uF SMD 1206
3	4	Q1,C2,R3,R4	OMIT
4	2	D1,D2	LED SMD 1206
5	3	PR1,R6,R7	10K SMD 1206
6	1	Q2	NJT4031N-D ON SEMI SOT 223-4
7	2	R1,R2	1E SMD 1206
8	2	R5,R8	1K SMD 1206
9	1	R9	100K SMD 1206
10	1	R10	Light-Dependent Resistor
11	1	U1	LM393 SMD SO8



0 7 0 0 5