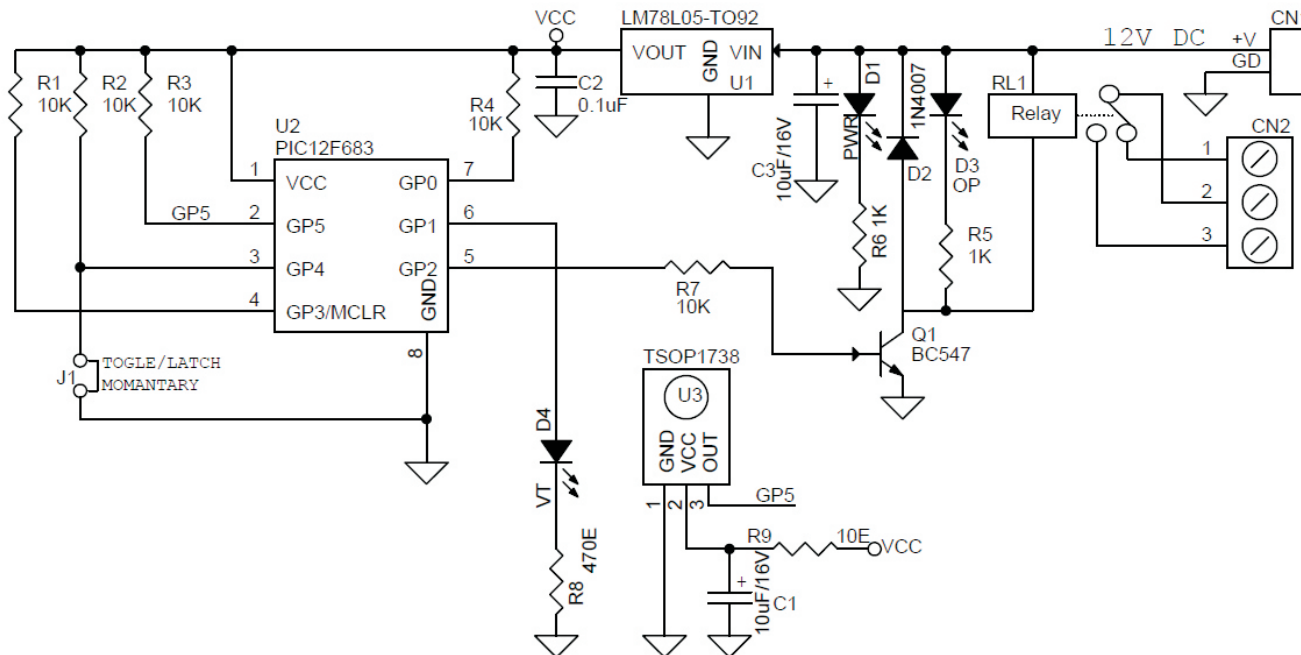


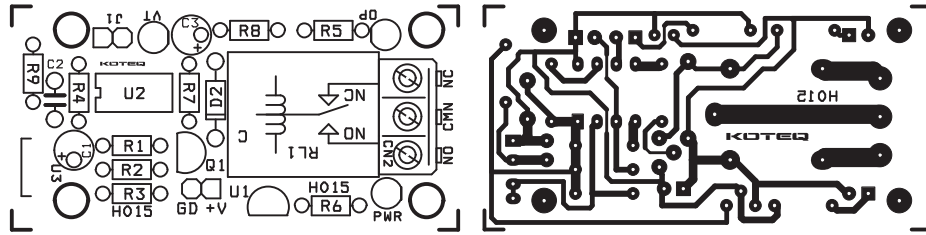
One Channel Infra Red Remote Controller

One Channel Infra-Red Remote and receiver with onboard Relay provides normally open and normally closed output. The project based on PIC12F683 Microcontroller from Microchip , TSOP1738 used as Infra-Red receiver. Micro-controller decodes the RC5 serial data coming from TSOP1738 and provides high output if the data is valid. The output can be set Momentary or Latch using on board Jumper (J1) and closure. The board provided with 3 LEDs, Power LED, Valid Transmission LED and Output LED. This Remote works with switch No1 of RC5 Remote.

- Power Supply Remote 2X AA Batteries
- Power Supply Receiver 7-12V DC
- Current Consumption Receiver 30mA
- Onboard jumper for momentary and latch operation selection
- Transmitter range 10-15 feet
- RC5 (Philips) Remote
- Onboard power LED
- Onboard output ON/OFF LED
- Onboard Valid Transmission LED
- Onboard 5V regulator
- PCB Dimensions 59.06 MM X 29.53 MM



One Channel Infra Red Remote Controller



SR.	QNTY.	REF.	DESC.
1	1	CN1	2 PIN HEADER CONNECTOR
2	1	CN2	3 PIN SCREW TERMINAL
3	2	C1,C3	10uF/16V
4	1	C2	0.1uF
5	1	D1	3 MM LED
6	1	D2	1N4007
7	1	D3	3 MM LED
8	1	D4	3MM LED
9	1	J1	JUMPER WITH CLOSURE
10	1	Q1	BC547
11	1	RL1	12V SUGER CUBE RELAY
12	5	R1,R2,R3,R4,R7	10K
13	2	R5,R6	1K
14	1	R8	470E
15	1	R9	10E
16	1	U1	LM78L05-TO92
17	1	U2	PIC12F683
18	1	U3	TSOP1738 IR RECEIVER
19	1	Socket	8 PIN DIP IC SOCKET