

16 Channel Tiny Infra Red Remote Controller (NEC CODE)

16 Channel Infra-Red remote controller is built around PIC16F73 Microcontroller from Microchip. The receiver part follows NEC Code Format. Tiny receiver provides 16 latch outputs. All outputs are TTL and can drive Relay board or solid state relay. The circuit uses TSOP1738 Infra-Red receiver module which provides high degree of noise immunity against interfering light source.

Features

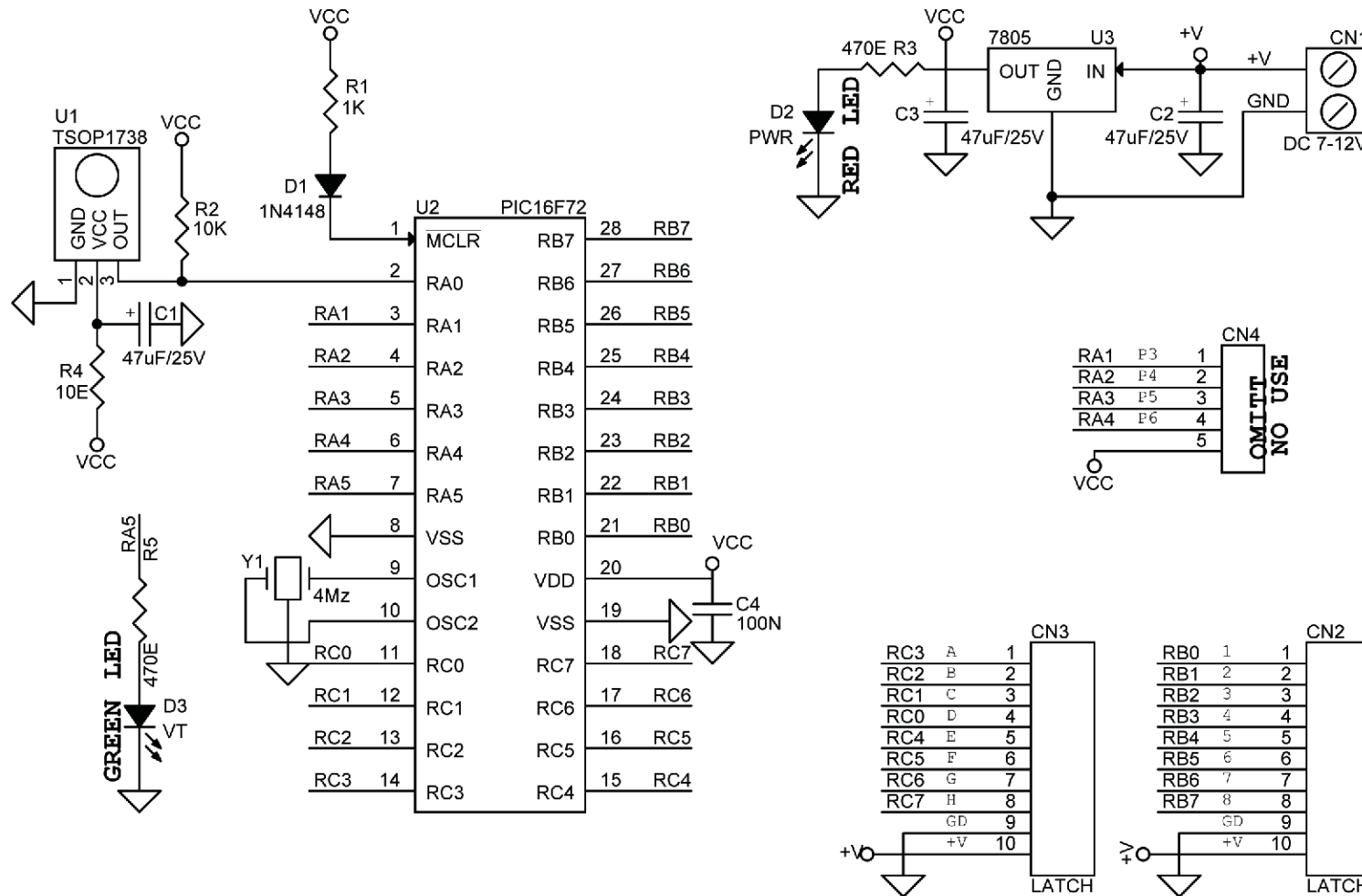
- Supply Remote Transmitter 3V CR2025 Battery
- Supply Receiver 7V to 12V DC
- Modulation 38Khz
- NEC Code Format
- Operating range up to 10-15 feet
- 2 Pin Screw Terminals for Supply Input
- On Board Power LED
- Onboard VT (Valid Transmission) LED
- All 16 Channels are Latch Outputs
- All Outputs TTL Level provided with Header Connector

Application

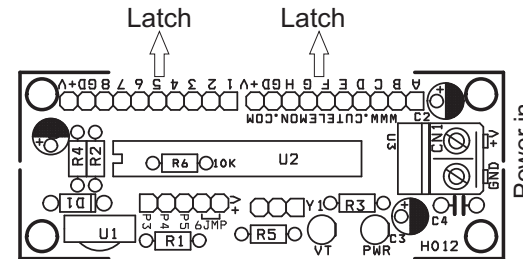
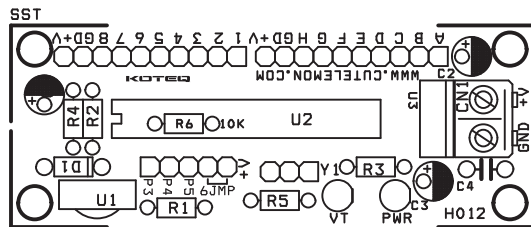
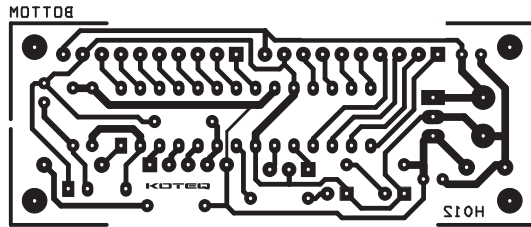
- Robotics
- Lights
- Fans
- Home Appliances
- Remote Door closer
- Remote Curtains
- Security Systems



16 Channel Tiny Infra Red Remote Controller (NEC CODE)



16 Channel Tiny Infra Red Remote Controller (NEC CODE)



1	1	CN1	PBT SCREW TERMINAL
2	1	CN2	10 PIN HEADER CONNECTOR
3	1	CN3	10 PIN HEADER CONNECTOR
4	1	CN4	OMIT
5	3	C1,C2,C3	47uF/25V
6	1	C4	0.1uF
7	1	D1	1N4148 DIODE
8	1	D2	3MM RED LED
9	1	D3	3MM GREEN LED
10	1	J1	OMIT
11	1	R1	1K
12	2	R2,R6	10K
13	2	R3,R5	470E
14	1	R4	10E
15	1	U1	TSOP1738
16	1	U2	PIC16F72 or PIC16F73
17	1	SOCKET	28 PIN DIP IC SOCKET
18	1	U3	L7805 5V REGULATOR
19	1	Y1	4Mz CERAMIC RESONATOR

