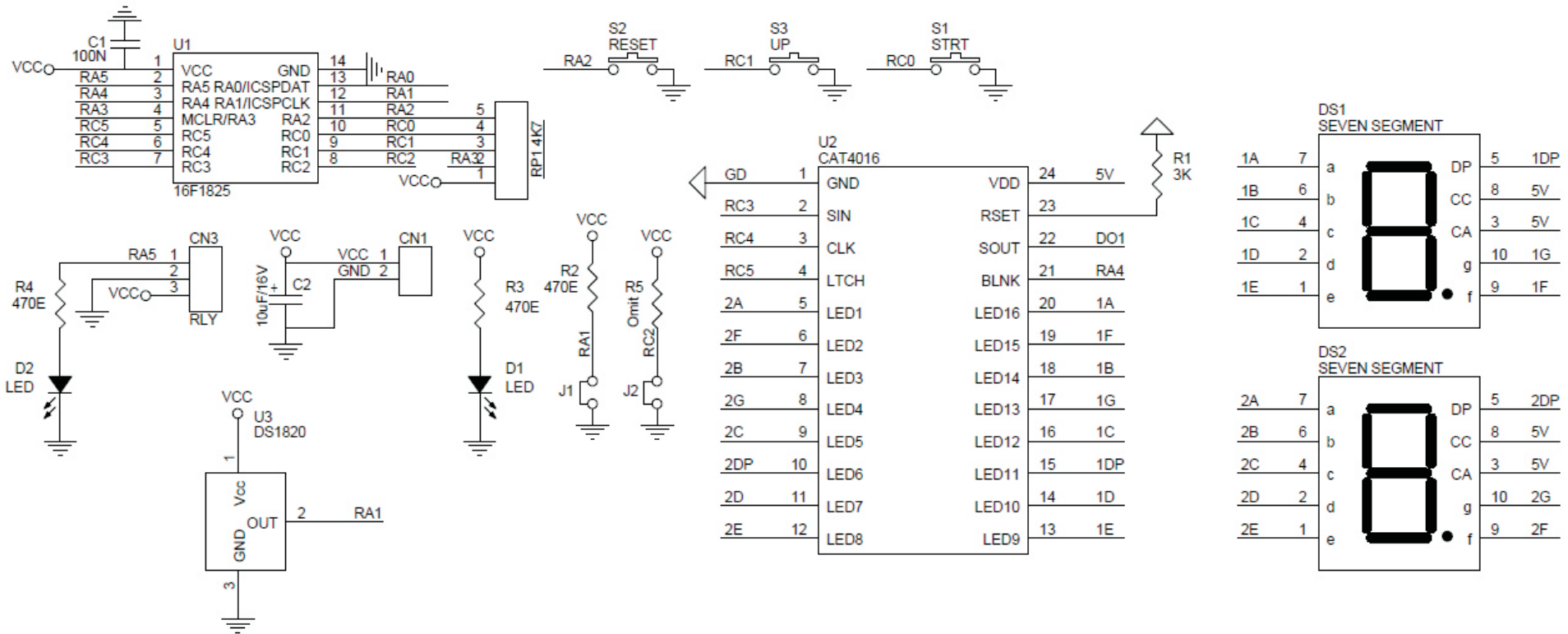
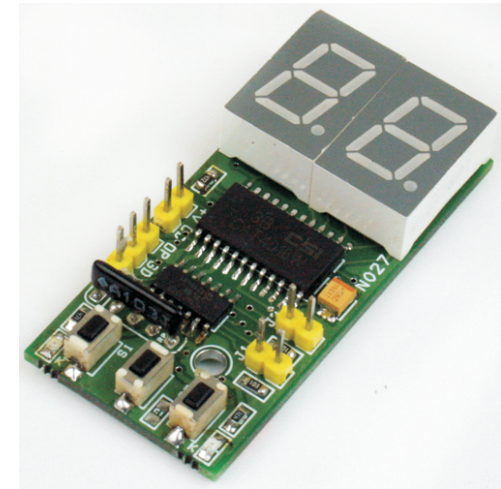


Temperature Monitor 0 to 99 Degrees Celsius Using PIC16F1825

This digital temperature meter provides real-time temperature values from 00 to 99 degrees Celsius. The Temperature Monitor project built using PIC16F1825 Microcontroller from Microchip, CAT4016 serial to display driver IC from ON-Semiconductor, DS18200 Temperature sensor and two 7 Segment common anode 0.5 Inch display. This little handy project consumes low current and can be work with 4.5 V batteries, intensity of the display can be change by replacing value of R1, read Cat4016 data sheet for more information about current setting. Display range 00 to99 degree Centigrade.

Features

- Supply 4.5 to 5V DC
- Range 00 to 99 Degree Celsius
- On Board Power LED



BOM			
SR.	QNTY.	REF	DESC.
1	1	CN1	2 PIN HEADER CONNECTOR
2	1	CN3	OMIT
3	1	C1	0.1uF 0805
4	1	C2	10uF/16V TANTLUM SMD 1210
5	2	DS1,DS2	COMON ANODE RED 7 SEGMENT 0.5" DISPLAY
6	2	D1,D2	LED SMD 0805
7	2	J1,J2	2 PIN HEADER CONNECTOR
8	1	RP1 4K7	5 PIN 4K7 RESITOR PACK
9	1	R1	3K SMD 0805
10	4	R2,R3,R4,R5	470E SMD 0805
11	1	S1	OMIT
12	1	S2	OMIT
13	1	S3	OMIT
14	1	U1	PIC16F1825 SMD SO14
15	1	U2	CAT4016 SMD SO 24 ON SEMI

