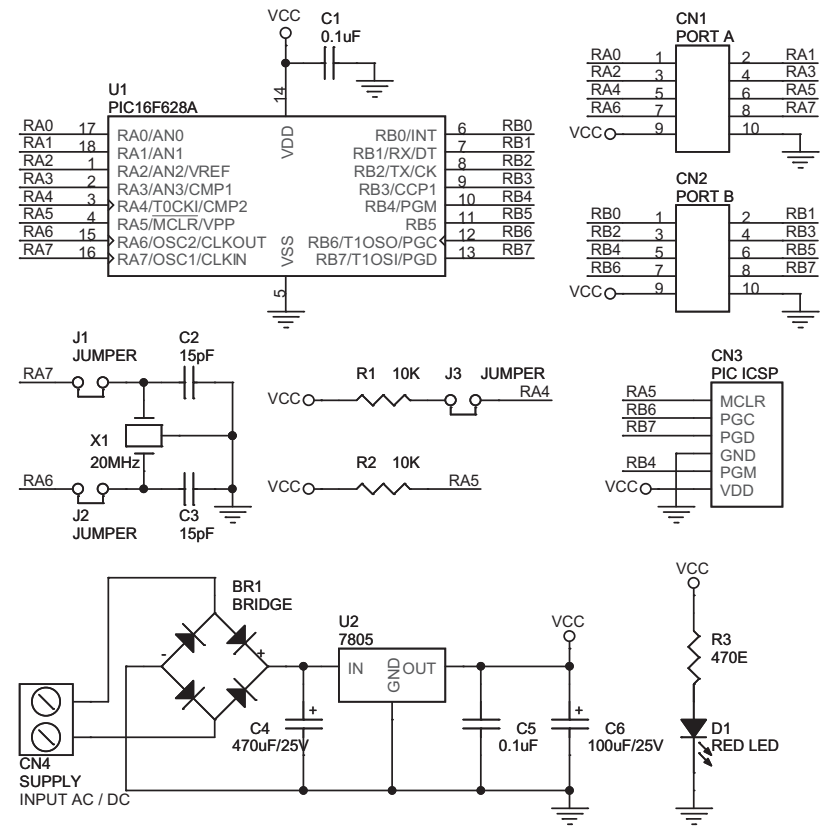


PIC16F 18-PIN DEVELOPMENT BOARD

PIC16F 18-pin Development Board will help you with your prototyping requirement with any of Microchip's 18 pin of 16F PIC micro-controllers.

- All ports terminating in separate box header with 5 VDC source option
- ICSP connector for programming for the PIC's with ICD support
- Jumper selectable on board pull up resistor for PortA.4 pin on the microcontroller
- Bridge in the input provides any polarity DC supply connection to the board
- Jumper selectable 20 MHz crystal source
- Onboard +5V Voltage regulator
- Four mounting holes of 3.2 mm each
- PCB dimensions 56 mm x 55 mm

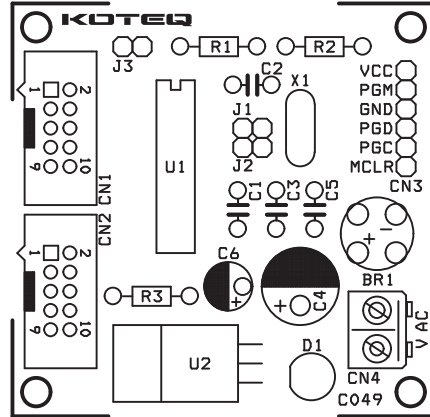


SR.	QTY.	REF.	DESCRIPTION
1	1	BR1	W04/W06/W08 BRIDGE RECTIFIER
2	2	CN1,CN2	10 PIN BOX HEADER CONNECTOR
3	1	CN3	6 PIN BERG/RELIMATE CONNECTOR
4	1	CN4	2 PIN SCREW TERMINAL CONNECTOR
5	2	C1,C5	0.1uF
6	2	C2,C3	15pF
7	1	C4	470uF/16V
8	1	C6	100uF/25V
9	1	D1	RED LED
10	3	J1,J2,J3	2 PIN JUMPER WITH CLOSER
11	2	R1,R2	10K
12	1	R3	470E
13	1	U1	PIC16F628A
14	1	U2	7805
15	1	X1	20MHz CRYSTAL
16	1	SOCKET	18 PIN DIP IC SOCKET
17	1	SCREW	SC02905
18	1	NUT	NT02900

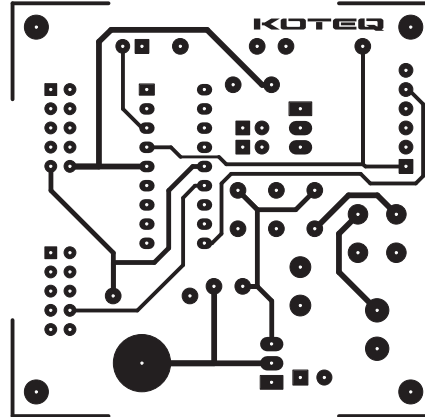
- CN1 Connector : PORTA
- CN2 Connector : PORTB
- CN3 Connector : PIC ICSP Connector
- CN4 Connector : Power Supply 9 VAC/VDC
- J1 & J2 : Open (Internal Osc), Close (External Osc)
- J3 : Close (Pull-up Resistor for RA4)
- D1 : LED Indicator



SILK SCREEN TOP



TOP



MOTOB

