

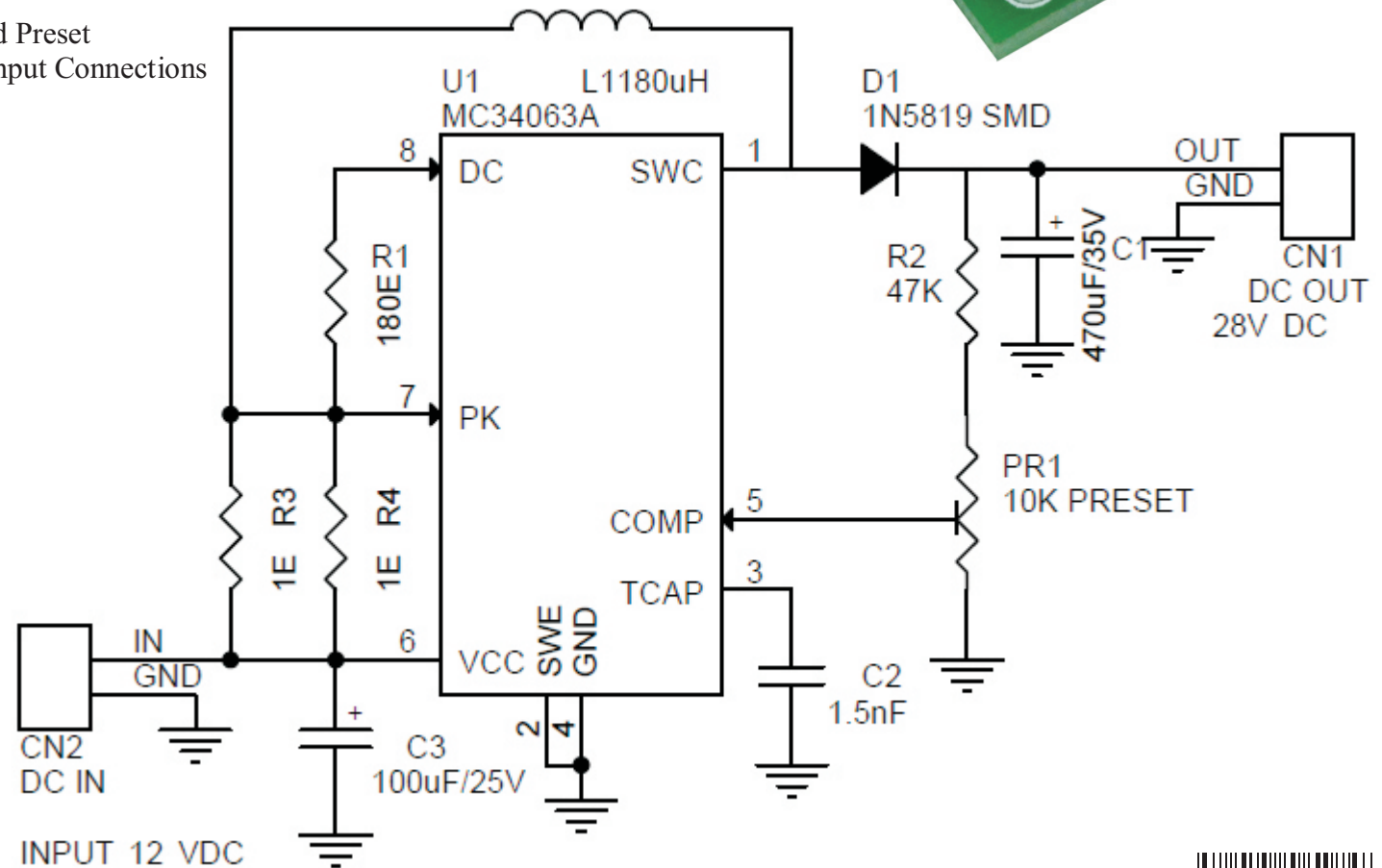
STEP UP DC-DC CONVERTER 12V TO 28V DC 175mA

The Step-Up DC-DC Converter project provides 28V, 175mA output with input of 12V DC. The MC34063A IC is heart of the project from On semiconductor. The MC33063A is a monolithic control circuit containing the primary functions required for DC-DC converters, This device consist of an internal temperature compensated reference, comparator, controlled duty cycle oscillator with an active current limit circuit, driver and high current output switch. This IC specially designed to be incorporated step-down, step-up, and voltage-inverting applications with minimum number of external components.



Features

- Input 12V DC
- Output 28V, 175mA
- Output Adjustable By On-board Preset
- Header Connector for Output/Input Connections
- Low Standby Current



STEP UP DC-DC CONVERTER 12V TO 28V DC 175mA

BOM			
SR.	QTY.	REF.	DESCRIPTION
1	1	CN1 & CN2	4 PIN HEADER CONNECTOR
2	1	C1	470uF/35V
3	1	C2	1.5nF SMD 1206
4	1	C3	100uF/25V
5	1	D1	1N5819 SS14
6	1	L1	180uH INDUCTOR 12MM SMD
7	1	PR1	10K PRESET
8	1	R1	180E SMD 1206
9	1	R2	47K SMD 1206
10	2	R3,R4	0.47E SMD 1206
11	1	U1	MC34063A SMD SO8

