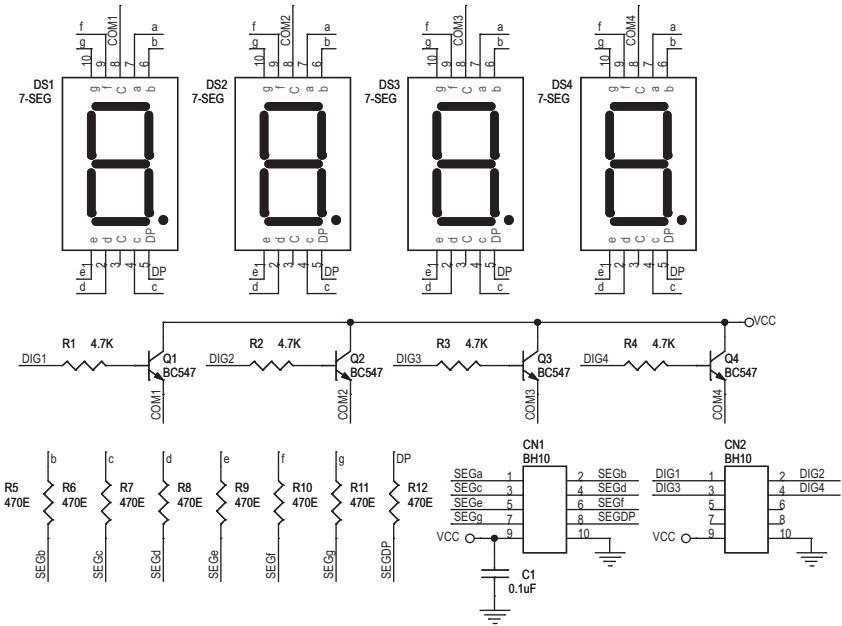
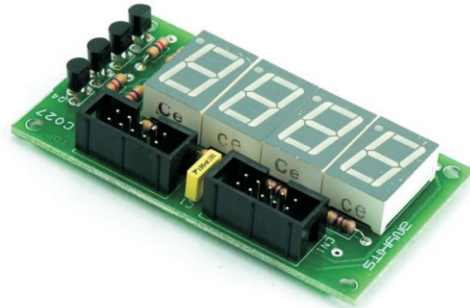


## 4 DIGIT 7-SEGMENT MULTIPLEX DISPLAY

4 Digit 7-Segment Multiplex Display project will provide 4 digit of multiplexed display for your project.

- 5V Supply operation
- 0.5" - CA type display
- Switching of power to the display via switching transistor
- Standard Box Header for easy connection of the board to various development boards or project
- Four mounting holes 3.2 mm each
- PCB dimensions 74 mm x 42 mm



SR.	QTY.	REF.	DESCRIPTION
1	2	CN1,CN2	10 PIN BOX HEADER CONNECTOR
2	1	C1	0.1uF
3	4	DS1,DS2,DS3,DS4	7 SEGMENT DISPLAY - CA
4	4	Q1,Q2,Q3,Q4	BC 547
5	4	R1,R2,R3,R4	4.7K
6	8	R5,R6,R7,R8,R9,R10,R11,R12	470E

