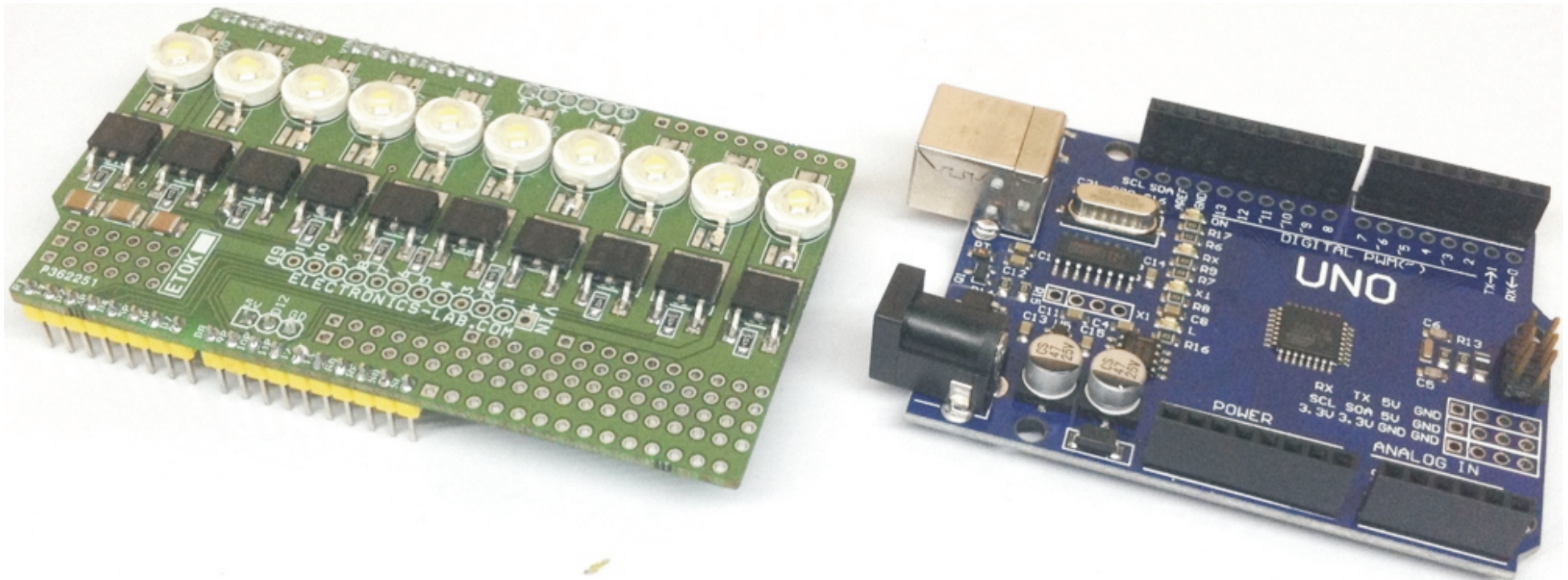


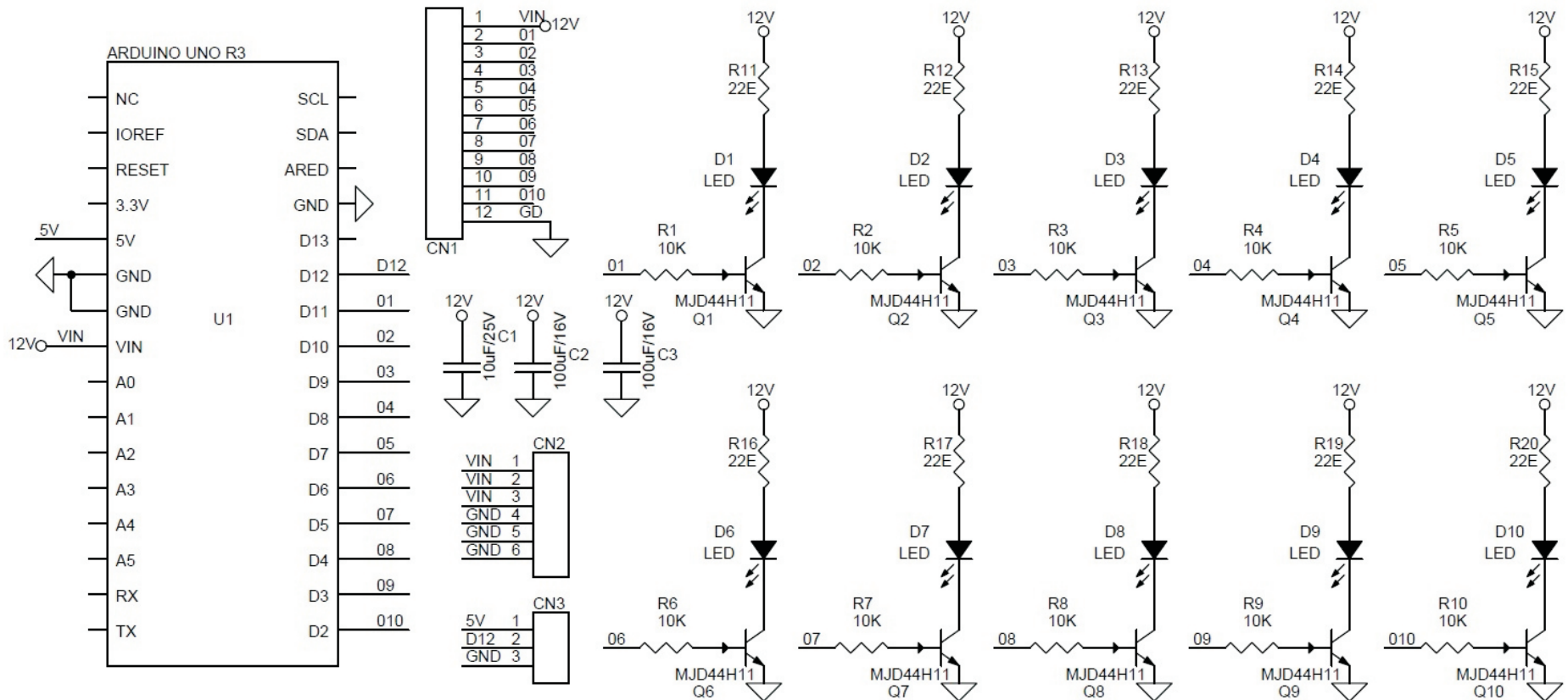
1W X 10 White LED Shield For Arduino Uno

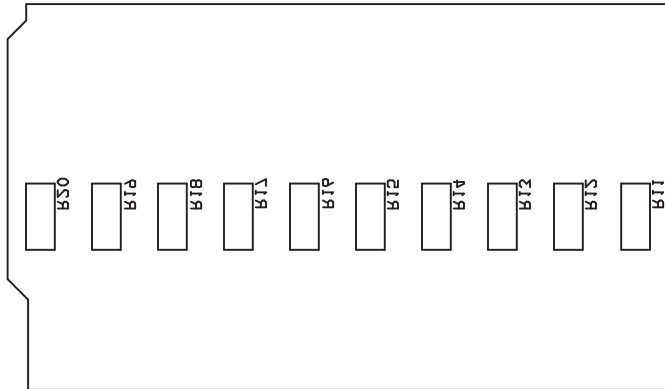
The project contains 10 LEDs of each 1W, provides high intensity, can be used in various applications. The board is made in form of Arduino shield can be used with Arduino Uno or Mega , each LED can be controlled individually connected to digital pin D2-D11 of Arduino. Circuit required 9-12V supply, it can work with lower supply by changing current resistor across LEDs, Large size Bar-graph monitor, led sequencer, strobe, LED light effects are possible applications with this board. CN3 provided to interface pyro sensor or any sensor to create interactive light effects.

Features

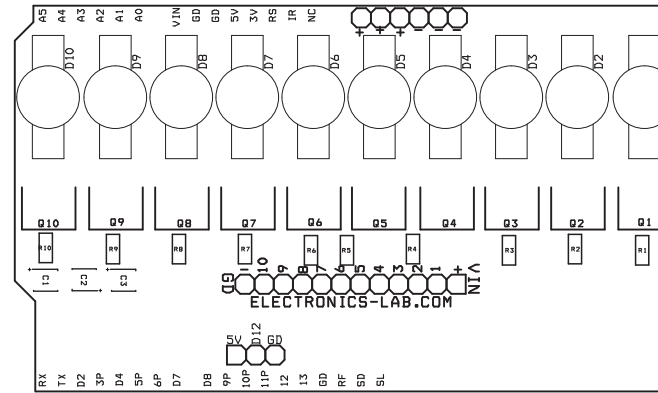
- Supply 9-12V DC
- Maximum Load on each channel 200mA (Total 2Amps)
- LED 1-10 Connected to D2,D3,D4,D5,D6,D7,D8,D9,D10,D11 of Arduino
- CN2 Power Input
- CN3 Sensor Interface



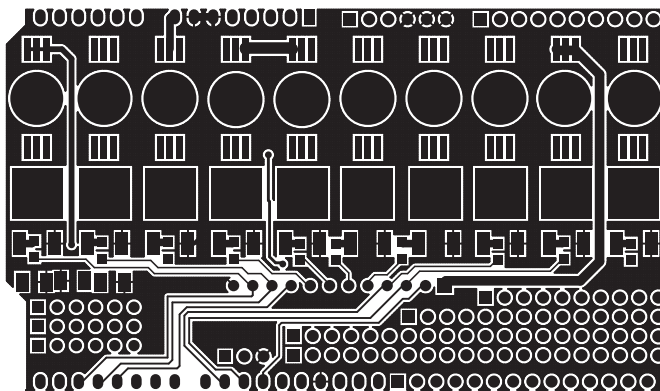




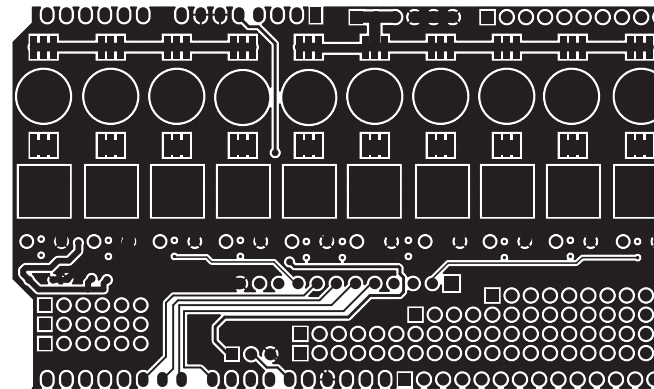
SILK SCREEN BOTTOM



SILK SCREEN TOP



TOP LAYER



BOTTOM LAYER

PCB Dimensions 87.79mm X 51.17mm

BOM			
SR	QNTY.	REF.	DESC.
1	1	CN1	OMIT
2	1	CN2	6 PIN HEADER CONNECTOR
3	1	CN3	2 PIN HEADER CONNECTOR
4	1	C1	10uF/25V SMD 1210
5	2	C2,C3	100uF/16V SMD 2010
6	10	D1,D2,D3,D4,D5,D6,D7,D8,D9,D10	1W WHITE LED
7	10	Q1,Q2,Q3,Q4,Q5,Q6,Q7,Q8,Q9,Q10	MJD44H11 SMD DPAK
8	10	R1,R2,R3,R4,R5,R6,R7,R8,R9,R10	10K SMD 0805
9	10	R11,R12,R13,R14,R15,R16,R17,R18,R19,R20	22E SMD 2512 2W
10	1	U1	ARDUINO UNO R3 SHIELD

