

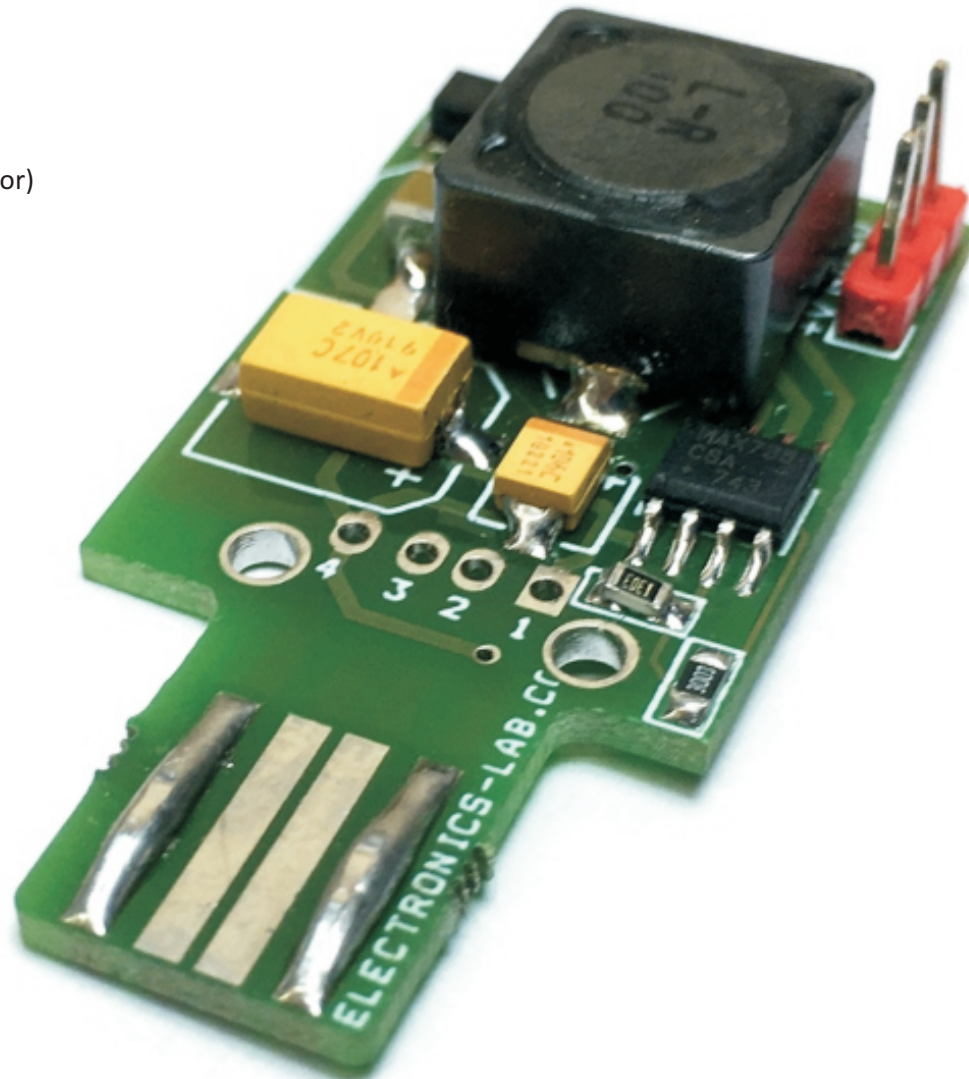
-5V Negative Output DC-DC Converter from USB Power Source

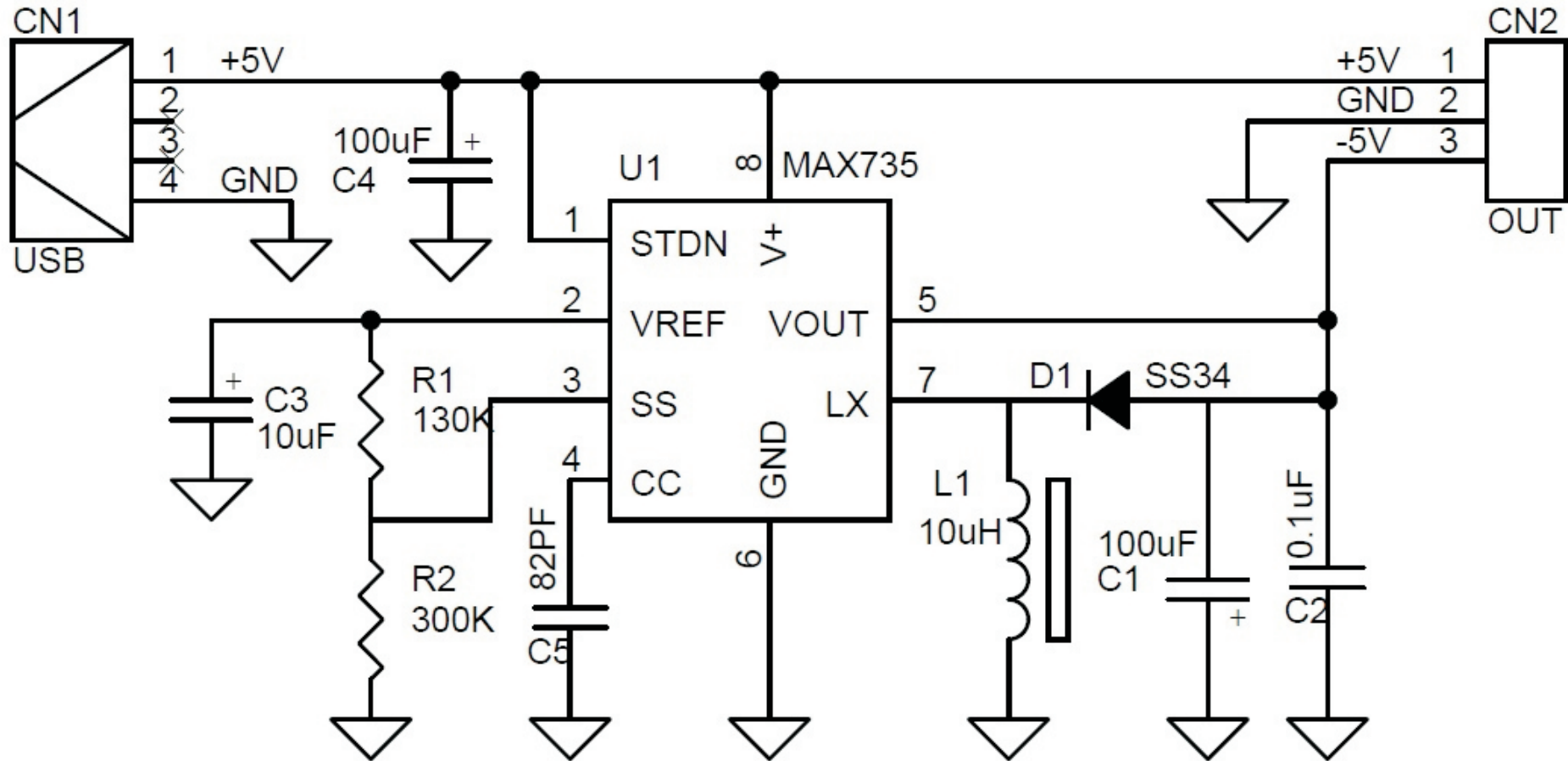
Now days USB power source is very common and available in many devices and power banks, the DC-DC converter provide -5V-negative supply from USB power source, this converter can be used in wide range of industrial automation control equipment, sensors, isolated operational amplifiers and test & measurement equipment that require bipolar supply voltages.

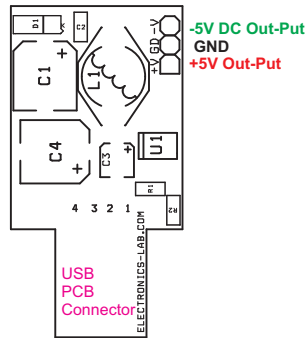
The Max735 is CMOS, inverting switch-mode regulator with internal power MOSFETs, The MAX735 operates from 4V to 6.2V input supply, and provides 5V 200ma load current. The MAX735 employ a high-performance current mode pulse- width modulation scheme to provide tight output-voltage regulation and low sub harmonic noise. The fixed frequency oscillator is factory trimmed to 160Khz, allowing for easy noise filtering.

Features

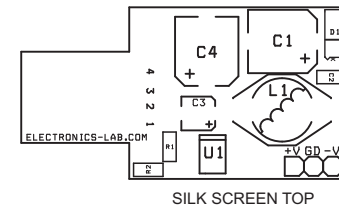
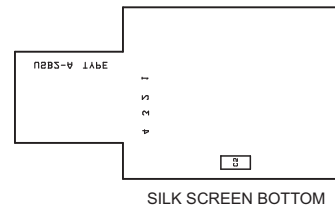
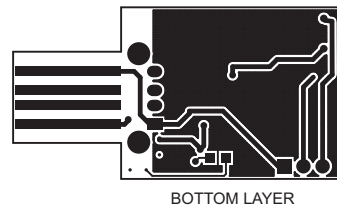
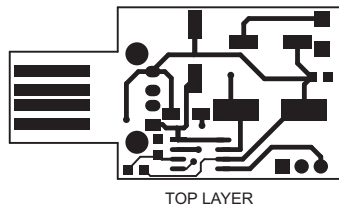
- Supply Input USB-5V (4V to 6.2V Range)
- PCB Directly Mount on USB Power Source (PCB USB Connector)
- Header Connectors for output
- Operating Frequency 160 KHz
- Provides -5V Negative Supply
- Maximum Load current 200mA







BOM			
SR.	QNTY.	REF.	DESC.
1	1	CN1	USB PCB CONNECTOR
2	1	CN2	3 PIN HEADER CONNECTOR
3	2	C1,C4	100uF/16V SMD
4	1	C2	0.1uF SMD 080-5
5	1	C3	10uF/16V SMD 1210
6	1	C5	82PF SMD 0805
7	1	D1	SS34 SMD VISHAY
8	1	L1	10uH SMD 12MM 1AMP
9	1	R1	130K 1% SMD 0805
10	1	R2	300K 1% SMD 0805
11	1	U1	MAX735 SMD SO8



PCB DIMENSIONS 43.89mm x 22.70mm