

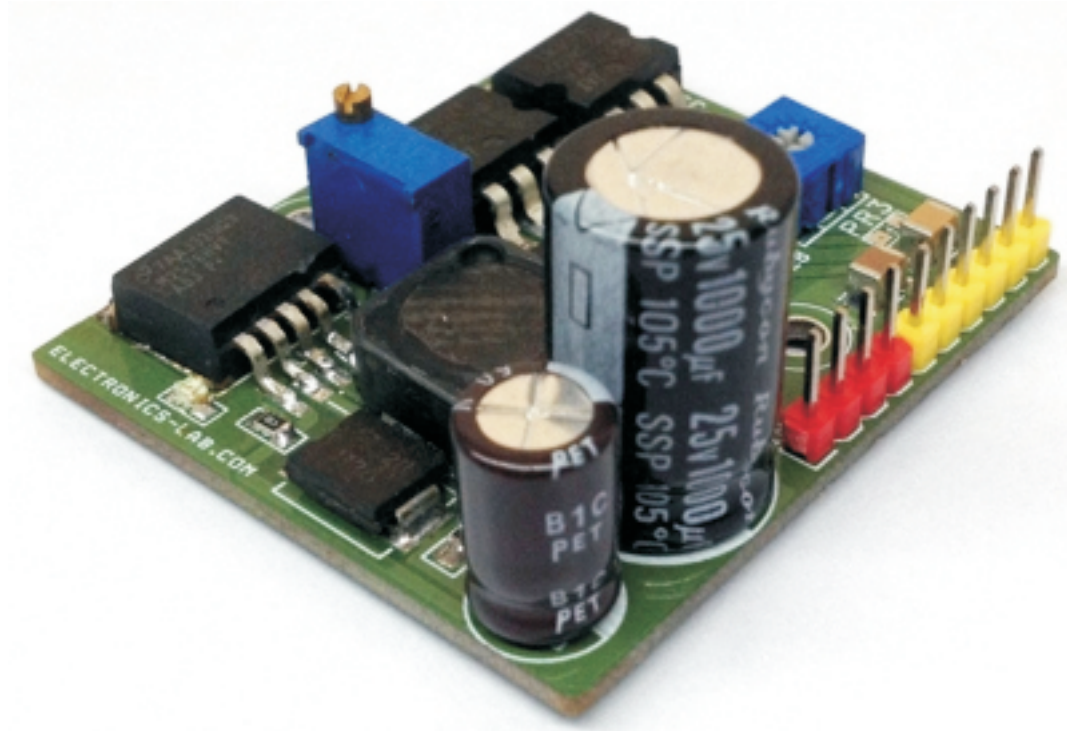
Multi Output Power Supply

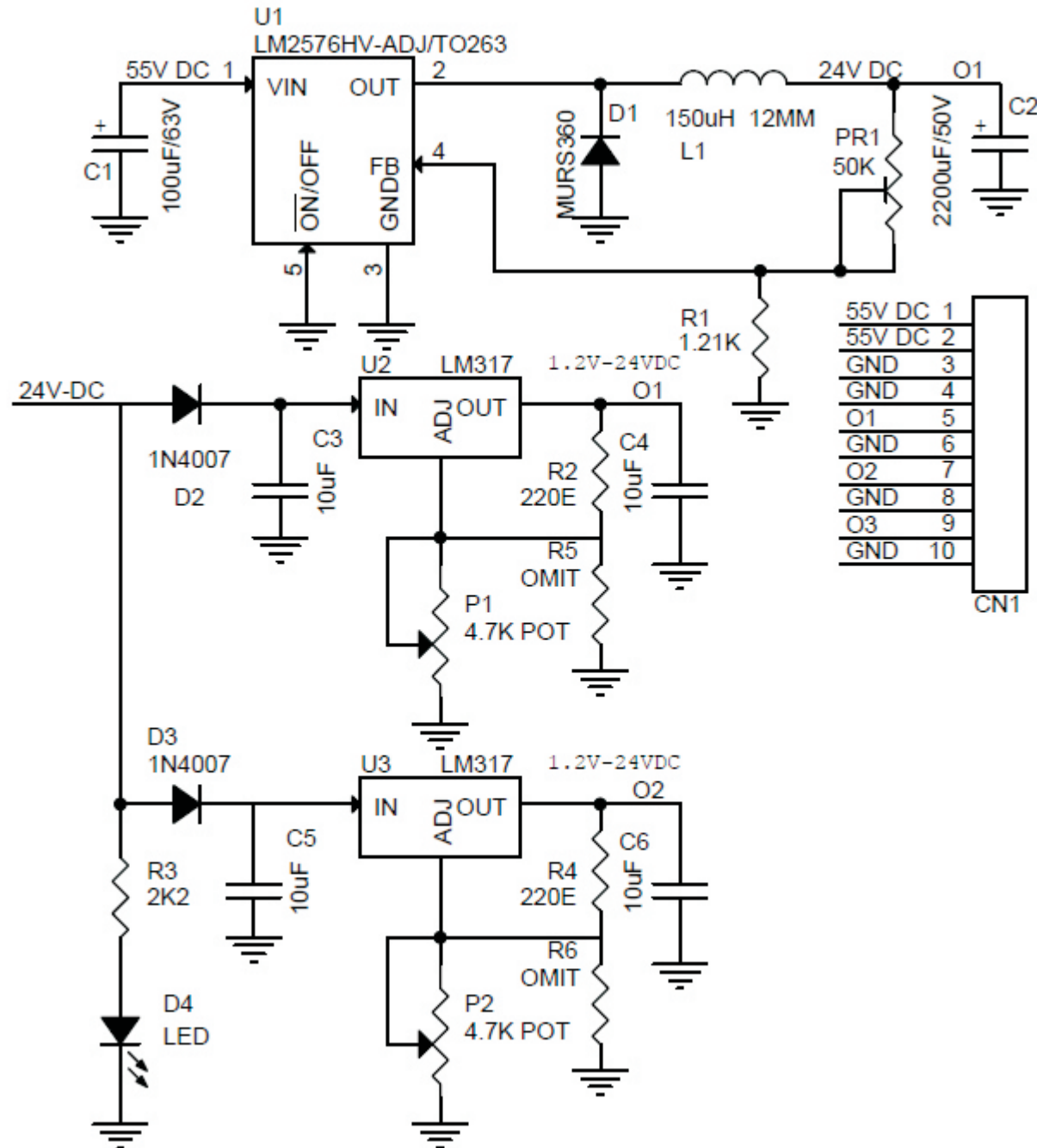
Multi output power supply based on LM2576HV-ADJ and LM317 IC, The power supply provides 3 outputs with input supply up to 55V DC. Output (O1) adjustable up to 24V DC load current 2 Amps, Output (O2) adjustable 1.2V-24V and load current up to 500mA and Output (O3) adjustable 1.2V-24V 500mA. High voltage LM2576HV-ADJ converts 55V in to 24V DC. This output is adjustable but advisable to set the output to 24V DC with help of Trimmer Pot PR1.

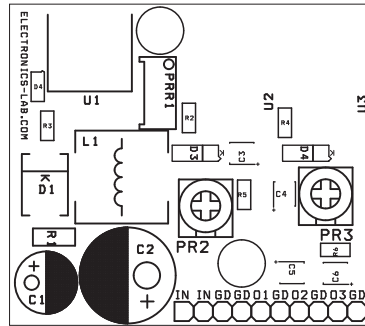
Note: Keep PR1 at 50% before power up the project and set the Output-1 24V DC, then O2 and O3 can be set using P1 and P2.

Features

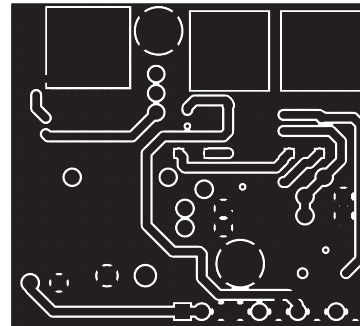
- Input Supply Up to 55V DC 3Amps
- Output 1 24V DC Load Up to 2Amps
- Output 2 1.2V-24V DC Maximum Load 500mA
- Output 3 1.2V-24V DC Maximum Load 500mA
- Onboard Power LED
- PCB Dimensions 47.73mm X 42.65mm



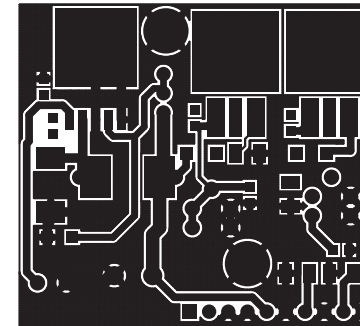




SILK SCREEN TOP

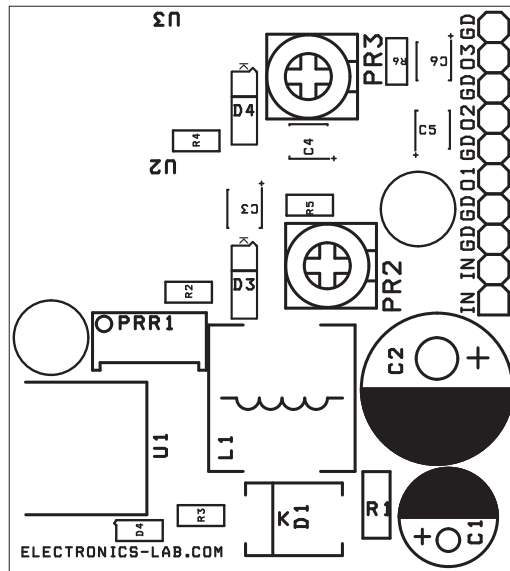


BOTTOM LAYER



TOP LAYER

PCB Dimensions 47.73mm X 42.65mm



POWER LED

GND
 OUTPUT-03 1.2V-24V DC
 GND
 OUTPUT-02 1.2V-24V DC
 GND
 OUTPUT-01 24V DC
 GND
 GND
 55V DC INPUT
 55V DC INPUT

BOM

SR.	QNTY.	REF.	DESC.
1	1	CN1	10 PIN HEADER CONNECTOR
2	1	C1	100uF/63V
3	1	C2	2200uF/35V
4	2	C3,C5	10uF/100V SMD 1210
5	2	C4,C6	10uF/100V SMD 1210
6	1	D1	MURS360
7	2	D2,D3	1N4007 SMD
8	1	D4	LED SMD 0805
9	1	L1	150uH 12MM
10	1	PR1	50K TRIMMER POT
11	2	P1,P2	4.7K TRIMMER POT
12	1	R1	1.21K SMD 0805
13	2	R2,R4	220E SMD 0805
14	1	R3	2K2 SMD 0805
15	1	U1	LM2576HV-ADJ/T0263
16	2	U2,U3	LM317 TO220
17	2	R5,R6	OMIT