

Single LIPO Battery To 5V Boost Converter

The Small board is based on the CS5171 boost converter. The board is configured to be used with a single LiPO battery. Circuit converts single cell 3.7V LIPO battery to 5V and load current up to 400mA. Board has been design to fit on backside of single cell battery holder with screw. The CS5171 IC is a 280 kHz switching regulators with a high efficiency, 1.5 A integrated switch.

Features

Supply Input 2.7V-3.7V (Single LIPO Battery)

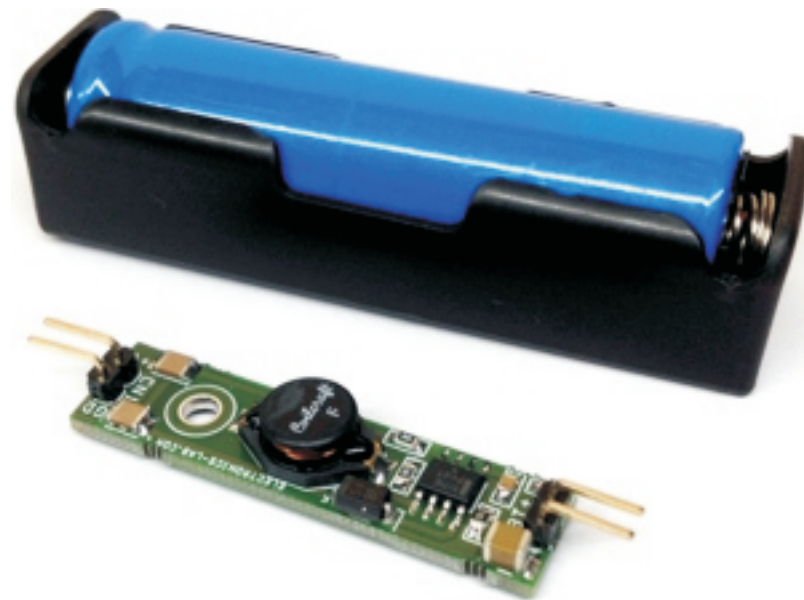
Output 5V

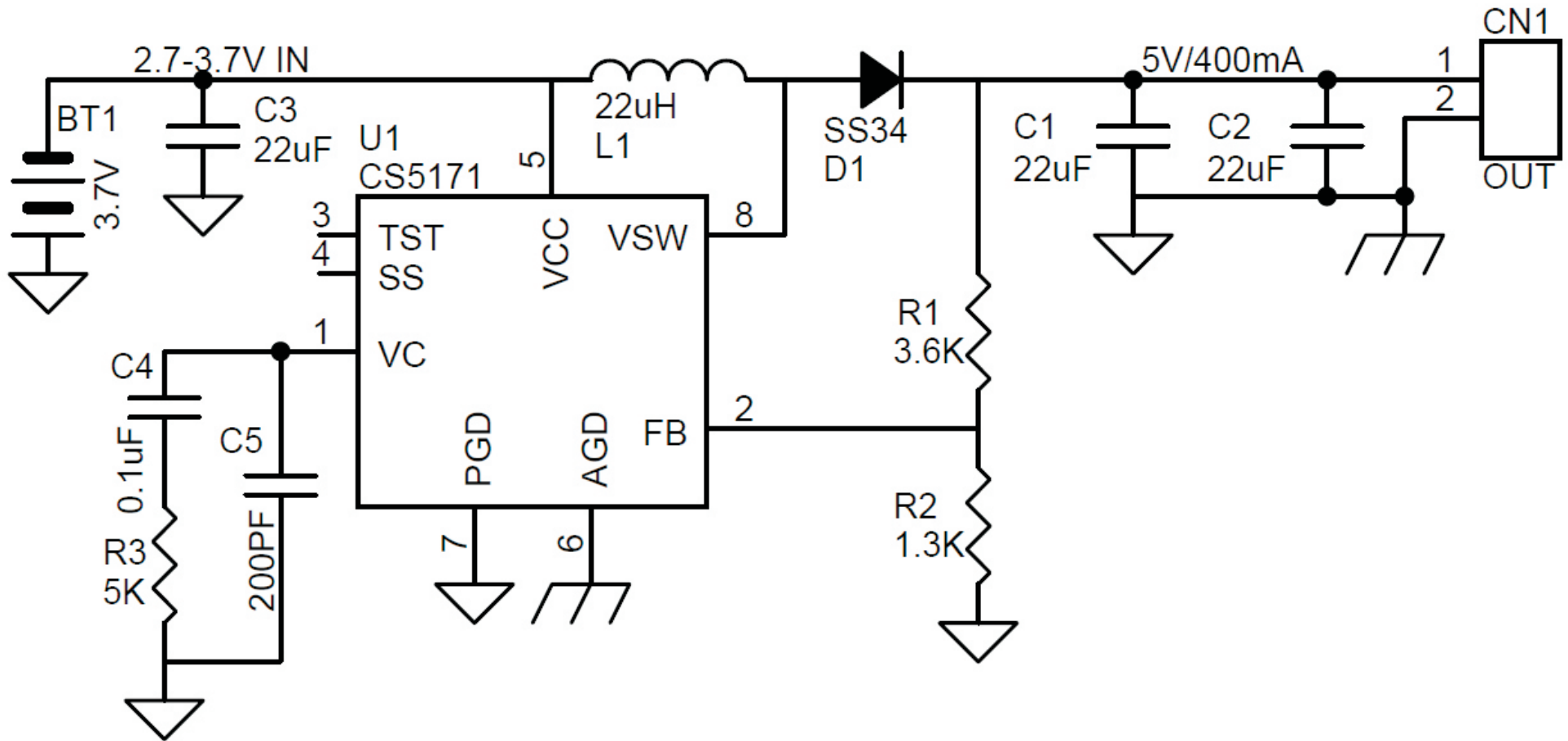
Output Current 400mA

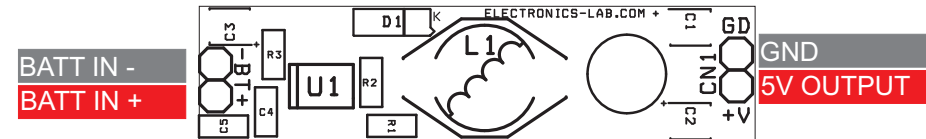
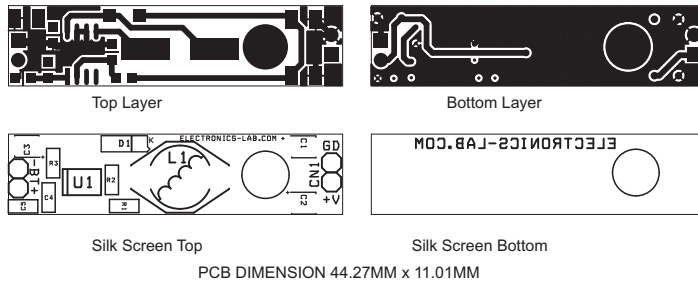
Operation Frequency 280 KHz

Very Tiny Board Designed to Fit On Back Side Of LIPO Battery Holder

PCB Dimensions 44.27 X 11.01 MM







| BOM | | | |
|-----|-------|----------|------------------------|
| SR. | QNTY. | REF | DESC. |
| 1 | 1 | BT1 | 2 PIN HEADER CONNECTOR |
| 2 | 1 | CN1 | 2 PIN HEADER CONNECTOR |
| 3 | 3 | C1,C2,C3 | 22uF/10V SMD 1210 |
| 4 | 1 | C4 | 0.1uF SMD 0805 |
| 5 | 1 | C5 | 200PF SMD 0805 |
| 6 | 1 | D1 | SS34 SMD VISHAY |
| 7 | 1 | L1 | 22uH 2A, 12MM |
| 8 | 1 | R1 | 3.6K SMD 0805 |
| 9 | 1 | R2 | 1.3K SMD 0805 |
| 10 | 1 | R3 | 5K SMD 0805 |
| 11 | 1 | U1 | CS5171 SMD SO8 |

