

## SN6505x Low-Noise 1-A Transformer Drivers for Isolated Power Supplies

### 1 Features

- Push-pull driver for transformers
- Wide input voltage range: 2.25 V to 5.5 V
- High output drive: 1 A at 5 V supply
- Low  $R_{ON}$  0.25  $\Omega$  max at 4.5 V supply
- Ultra-low EMI
- Spread spectrum clocking
- Precision internal oscillator options: 160 kHz (SN6505A) and 420 kHz (SN6505B)
- Synchronization of multiple devices with external clock input
- Slew-rate control
- 1.7 A Current-limit
- Low shutdown current: <1  $\mu$ A
- Thermal shutdown
- Wide temperature range:  $-55^{\circ}\text{C}$  to  $125^{\circ}\text{C}$
- Small 6-Pin SOT23 (DBV) package
- Soft-start to reduce In-rush current

### 2 Applications

- Isolated power supply for CAN, RS-485, RS-422, RS-232, SPI, I2C, low-power LAN
- Low-noise isolated USB supplies
- Process control
- Telecom supplies
- Radio supplies
- Distributed supplies
- Medical instruments
- Precision instruments
- Low-noise filament supplies

### 3 Description

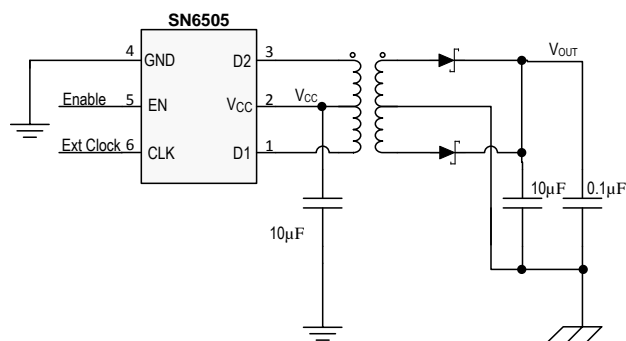
The SN6505x is a low-noise, low-EMI push-pull transformer driver, specifically designed for small form factor, isolated power supplies. It drives low-profile, center-tapped transformers from a 2.25 V to 5 V DC power supply. Ultra-low noise and EMI are achieved by slew rate control of the output switch voltage and through Spread Spectrum Clocking (SSC). The SN6505x consists of an oscillator followed by a gate drive circuit that provides the complementary output signals to drive ground-referenced N-channel power switches. The device includes two 1-A Power-MOSFET switches to ensure start-up under heavy loads. The switching clock can also be provided externally for accurate placement of switcher harmonics, or when operating with multiple transformer drivers. The internal protection features include a 1.7 A current limiting, under-voltage lockout, thermal shutdown, and break-before-make circuitry. SN6505x includes a soft-start feature that prevents high inrush current during power up with large load capacitors. SN6505A has a 160 kHz internal oscillator whereas SN6505B has a 420 kHz internal oscillators for applications that require higher efficiency and smaller transformer size. The SN6505x is available in a small 6-pin SOT23/DBV package. The device operation is characterized for a temperature range from  $-55^{\circ}\text{C}$  to  $125^{\circ}\text{C}$ .

#### Device Information<sup>(1)</sup>

PART NUMBER	PACKAGE	BODY SIZE (NOM)
SN6505A	SOT23 (6 Pin)	2.90 mm x 1.60 mm
SN6505B		

(1) For all available packages, see the orderable addendum at the end of the datasheet.

#### Simplified Schematic



Copyright © 2016, Texas Instruments Incorporated



## Table of Contents

<b>1 Features</b> .....	1	8.4 Device Functional Modes.....	18
<b>2 Applications</b> .....	1	<b>9 Application and Implementation</b> .....	19
<b>3 Description</b> .....	1	9.1 Application Information.....	19
<b>4 Revision History</b> .....	2	9.2 Typical Application .....	20
<b>5 Pin Configuration and Functions</b> .....	4	<b>10 Power Supply Recommendations</b> .....	28
<b>6 Specifications</b> .....	5	<b>11 Layout</b> .....	28
6.1 Absolute Maximum Ratings .....	5	11.1 Layout Guidelines .....	28
6.2 ESD Ratings.....	5	11.2 Layout Example .....	28
6.3 Recommended Operating Conditions.....	5	<b>12 Device and Documentation Support</b> .....	29
6.4 Thermal Information .....	5	12.1 Device Support.....	29
6.5 Electrical Characteristics.....	6	12.2 Documentation Support .....	29
6.6 Timing Requirements .....	7	12.3 Related Links .....	29
6.7 Typical Characteristics, SN6505A .....	8	12.4 Receiving Notification of Documentation Updates	29
6.8 Typical Characteristics, SN6505B .....	10	12.5 Community Resources.....	29
<b>7 Parameter Measurement Information</b> .....	14	12.6 Trademarks .....	29
<b>8 Detailed Description</b> .....	16	12.7 Electrostatic Discharge Caution.....	29
8.1 Overview .....	16	12.8 Glossary .....	30
8.2 Functional Block Diagram .....	16	<b>13 Mechanical, Packaging, and Orderable</b>	
8.3 Feature Description.....	16	<b>Information</b> .....	30

## 4 Revision History

Changes from Revision G (November 2018) to Revision H	Page
• Added HCT-SM-1.3-8-2 transformer to <a href="#">Table 3</a> table .....	25
• Added EPC3668G-LF transformer to <a href="#">Table 3</a> table .....	25
• Added DA2303-AL transformer to <a href="#">Table 3</a> table .....	25
• Added DA2304-AL transformer to <a href="#">Table 3</a> table .....	25

Changes from Revision F (September 2016) to Revision G	Page
• Made editorial corrections and modifications throughout the document .....	1
• Added <a href="#">Soft-Start</a> description in <a href="#">Device Functional Modes</a> section .....	18
• Changed 3 V to 2.25 V in the description of <a href="#">Drive Capability</a> section .....	20
• Changed Schottky diode RB168M-40 to RB168MM-40 in <a href="#">Diode Selection</a> section .....	21
• Changed $f_{min}$ to 138 kHz for SN6505A and 363 kHz for SN6505B in <a href="#">V-t Product Calculation</a> section and updated <a href="#">Equation 4</a> .....	22
• Changed load current, $V_{DO-max}$ , $V_{O-max}$ , $R_{DS-max}$ and $I_{D-max}$ values and updated <a href="#">Equation 11</a> in <a href="#">Turns Ratio Estimate Example</a> .....	23
• Changed LDO from 'No' to 'Yes' for transformer ORDER NO. 750313638 and 750313626 in <a href="#">Table 3</a> .....	25
• Updated <a href="#">Figure 48</a> .....	26
• Changed the <i>Electrostatic Discharge Caution</i> statement.....	29

Changes from Revision E (August 2016) to Revision F	Page
• Changed text From: "connected as possible" To: "connected as close as possible" in <a href="#">Power Supply Recommendations</a> .....	28

<b>Changes from Revision D (August 2016) to Revision E</b>	<b>Page</b>
• Changed <a href="#">Table 3</a> , and added Note 1 .....	25

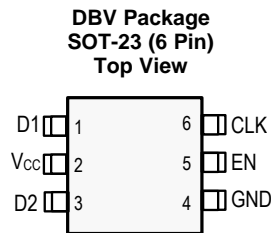
<b>Changes from Revision C (August 2016) to Revision D</b>	<b>Page</b>
• <a href="#">Typical Characteristics, SN6505A</a> , added <a href="#">Figure 1</a> and <a href="#">Figure 2</a> back into the datasheet .....	8
• <a href="#">Typical Characteristics, SN6505A</a> , added <a href="#">Figure 9</a> to <a href="#">Figure 33</a> back into the datasheet .....	8
• <a href="#">Typical Characteristics, SN6505B</a> , added <a href="#">Figure 11</a> and <a href="#">Figure 12</a> back into the datasheet .....	10
• <a href="#">Typical Characteristics, SN6505B</a> , added <a href="#">Figure 31</a> and <a href="#">Figure 32</a> back into the datasheet .....	12
• Changed <a href="#">Table 3</a> .....	25

<b>Changes from Revision B (February 2016) to Revision C</b>	<b>Page</b>
• Changed the <a href="#">Typical Characteristics, SN6505A</a> section .....	8
• Added the <a href="#">Typical Characteristics, SN6505B</a> section .....	10
• Changed <a href="#">Table 3</a> .....	25

<b>Changes from Revision A (October 2015) to Revision B</b>	<b>Page</b>
• Changed the <a href="#">Thermal Information</a> table From: 16 Pin DW (SOIC) To: 6 Pin DBV (SOT-23) .....	5

<b>Changes from Original (September 2015) to Revision A</b>	<b>Page</b>
• Production Release .....	1

## 5 Pin Configuration and Functions



### Pin Functions

PIN			DESCRIPTION
NAME	NO.	TYPE	
D1	1	O	Open drain output of the first power MOSFETs. Typically connected to the outer terminals of the center tap transformer. Because large currents flow through these pins, their external traces should be kept short.
V <sub>CC</sub>	2	P	This is the device supply pin. It should be bypassed with a 4.7 μF or greater, low ESR capacitor. When V <sub>CC</sub> ≤ 2.25 V, an internal undervoltage lockout circuit trips and turns both outputs off.
D2	3	O	Open drain output of the second power MOSFETs. Typically connected to the outer terminals of the center tap transformer. Because large currents flow through these pins, their external traces should be kept short.
GND	4	P	GND is connected to the source of the power MOSFET switches via an internal sense circuit. Because large currents flow through it, the GND terminals must be connected to a low-inductance quality ground plane.
EN	5	I	The EN pin turns the device on or off. Grounding or leaving this pin floating disables all internal circuitry. If unused this pin should be tied directly to V <sub>CC</sub> .
CLK	6	I	This pin is used to run the device with external clock. Internally it is pulled down to GND. If valid clock is not detected on this pin, the device shifts automatically to internal clock.

## 6 Specifications

### 6.1 Absolute Maximum Ratings

over operating free-air temperature range (unless otherwise noted)<sup>(1)</sup>. All typical values are at  $T_A = 25^\circ\text{C}$ ,  $V_{CC} = 5\text{ V}$ .

		MIN	MAX	UNIT
Supply voltage <sup>(2)</sup>	$V_{CC}$	-0.5	6	V
Voltage	EN, CLK	-0.5	$V_{CC} + 0.5^{(3)}$	
Output switch voltage	D1, D2		16	V
Peak output switch current	$I_{(D1)Pk}$ , $I_{(D2)Pk}$		2.4	A
Junction temperature, $T_J$		-55	150	$^\circ\text{C}$
Storage temperature range, $T_{stg}$		-65	150	$^\circ\text{C}$

- (1) Stresses beyond those listed under Absolute Maximum Ratings cause permanent damage to the device. These are stress ratings only and functional operation of the device at these or any other conditions beyond those indicated under [Recommended Operating Conditions](#) is not implied. Exposure to absolute-maximum-rated conditions for extended periods affects device reliability.
- (2) All voltage values except differential I/O bus voltages are with respect to the local ground terminal (GND) and are peak voltage values.
- (3) Maximum voltage of 6V.

### 6.2 ESD Ratings

			VALUE	UNIT
$V_{(ESD)}$	Electrostatic discharge	Human body model (HBM), per ANSI/ESDA/JEDEC JS-001, all pins <sup>(1)</sup>	$\pm 6000$	V
		Charged device model (CDM), per JEDEC specification JESD22-C101, all pins <sup>(2)</sup>	$\pm 1500$	

- (1) JEDEC document JEP155 states that 500-V HBM allows safe manufacturing with a standard ESD control process.
- (2) JEDEC document JEP157 states that 250-V CDM allows safe manufacturing with a standard ESD control process.

### 6.3 Recommended Operating Conditions

		MIN	TYP	MAX	UNIT
$V_{CC}$	Supply voltage	2.25		5.5	V
$I_{D1}$ , $I_{D2}$	Output switch current - Primary side	2.25 V < $V_{CC}$ < 2.8 V		0.75	A
		2.8 V < $V_{CC}$ < 5.5 V		1	
$T_A$	Ambient temperature	-55		125	$^\circ\text{C}$

### 6.4 Thermal Information

THERMAL METRIC <sup>(1)</sup>		SN6505	UNIT
		DBV (SOT-23)	
		6 PINS	
$R_{\theta JA}$	Junction-to-ambient thermal resistance	137.7	$^\circ\text{C}/\text{W}$
$R_{\theta JC(top)}$	Junction-to-case (top) thermal resistance	57.7	$^\circ\text{C}/\text{W}$
$R_{\theta JB}$	Junction-to-board thermal resistance	46.0	$^\circ\text{C}/\text{W}$
$\Psi_{JT}$	Junction-to-top characterization parameter	13.4	$^\circ\text{C}/\text{W}$
$\Psi_{JB}$	Junction-to-board characterization parameter	44.9	$^\circ\text{C}/\text{W}$
$R_{\theta JC(bottom)}$	Junction-to-case(bottom) thermal resistance	N/A	$^\circ\text{C}/\text{W}$

- (1) For more information about traditional and new thermal metrics, see the [Semiconductor and IC Package Thermal Metrics application report](#).

## 6.5 Electrical Characteristics

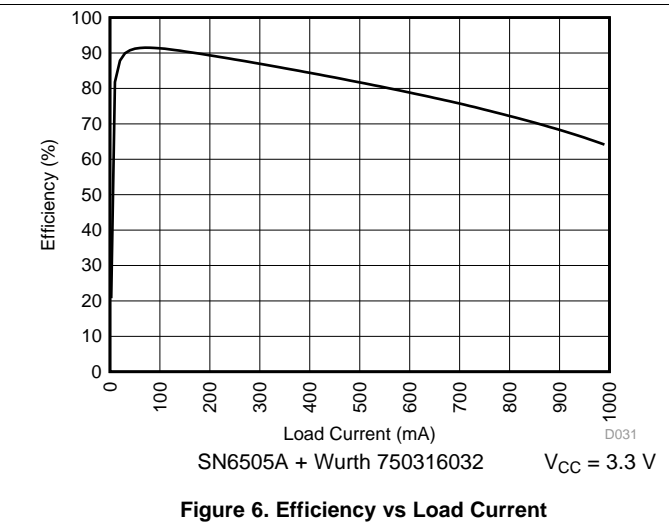
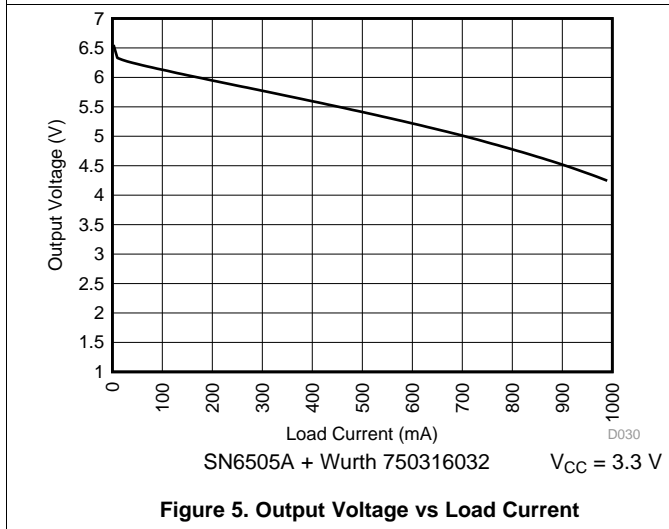
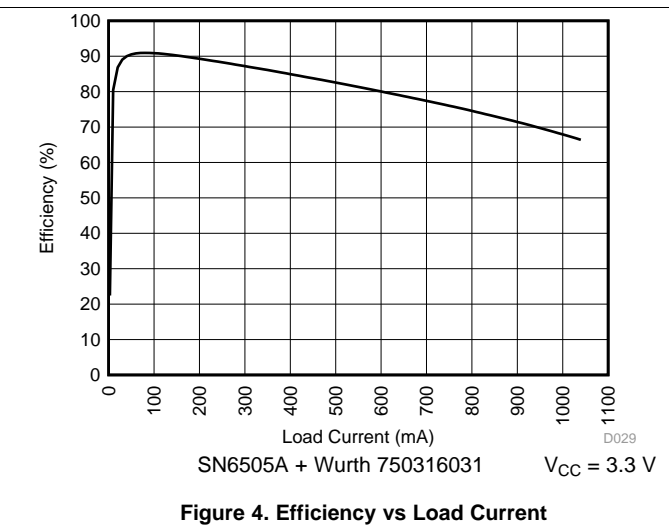
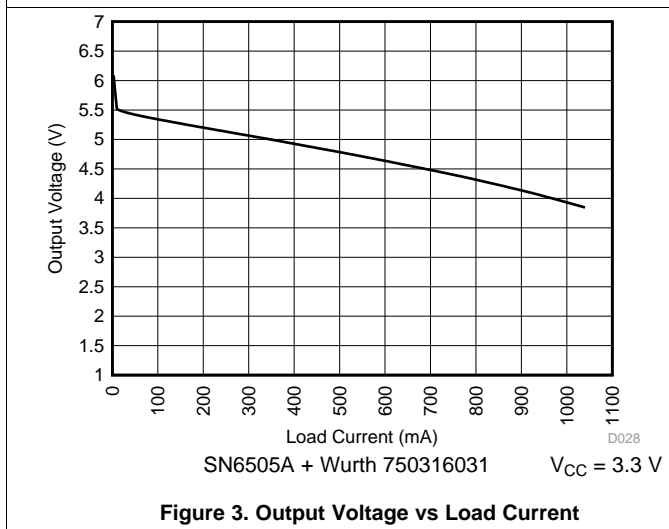
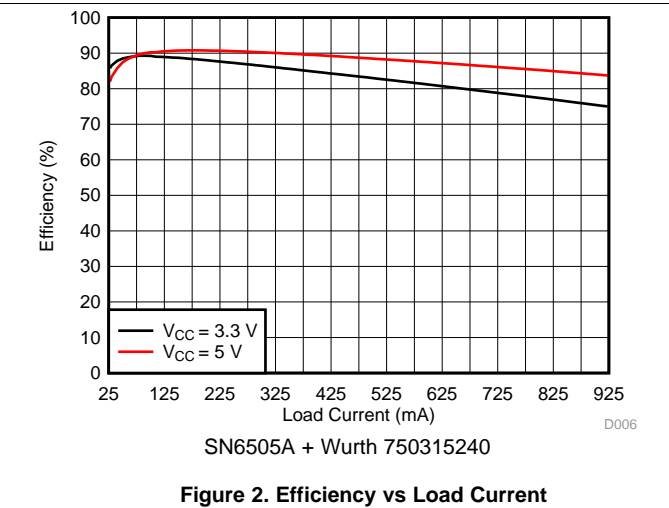
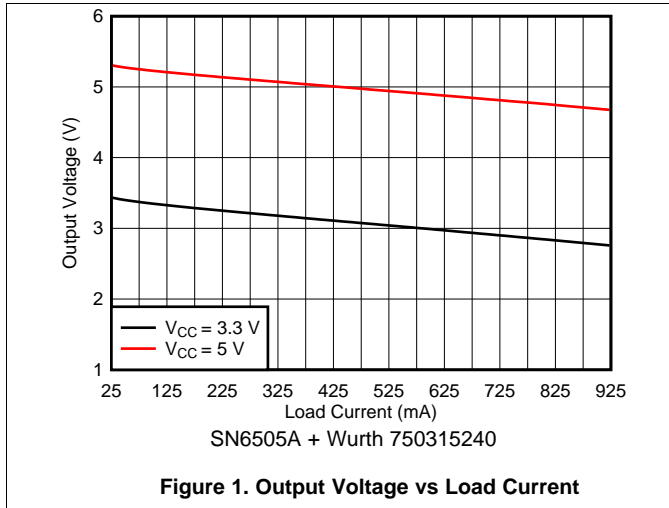
over full-range of recommended operating conditions, unless otherwise noted. All typical values are at  $T_A = 25^\circ\text{C}$ ,  $V_{CC} = 5\text{ V}$ .

PARAMETER		TEST CONDITIONS	MIN	TYP	MAX	UNIT
<b>VOLTAGE SUPPLY</b>						
$I_{VCC}$	Supply Current (2.8 V < $V_{CC}$ < 5.5) (SN6505A)	$R_L = 50\ \Omega$		1	1.4	mA
	Supply Current (2.8 V < $V_{CC}$ < 5.5) (SN6505B)	$R_L = 50\ \Omega$		1.56	2.3	mA
$I_{IH}$	Leakage Current on EN and CLK pin	EN / CLK = $V_{CC}$		10	20	$\mu\text{A}$
$I_{DIS}$	$V_{CC}$ current for EN = 0			0.1		$\mu\text{A}$
$I_{LKG(D1)}$ $I_{LKG(D2)}$	Leakage Current on D1,D2 for EN=0	Voltage of D1,D2 = $V_{CC}$		0.1		$\mu\text{A}$
$V_{CC+ (UVLO)}$	Positive-going UVLO threshold				2.25	V
$V_{CC- (UVLO)}$	Negative-going UVLO threshold		1.7			V
$V_{HYS (UVLO1)}$	UVLO threshold hysteresis			0.3		V
$V_{IN(ON)}$	EN, CLK pin logic high threshold				0.7	$V_{CC}$
$V_{IN(OFF)}$	EN, CLK pin logic low threshold		0.3			$V_{CC}$
$V_{IN(HYS)}$	EN, CLK pin threshold hysteresis			0.2		$V_{CC}$
<b>CLK</b>						
$F_{SW}$	D1, D2 average switching Frequency (SN6505A)	$R_L = 50\ \Omega$ to $V_{CC}$ ; Refer to <a href="#">Figure 36</a>	138	160	203	Khz
	D1, D2 average switching Frequency (SN6505B)	$R_L = 50\ \Omega$ to $V_{CC}$ ; Refer to <a href="#">Figure 36</a> .	363	424	517	kHz
$F_{(EXT)}$	External clock frequency on CLK pin (SN6505A)		100		600	kHz
	External clock frequency on CLK pin (SN6505B)		100		1600	kHz
<b>OUTPUT STAGE</b>						
DMM	Average ON time mismatch between D1 and D2	$R_L = 50\ \Omega$		0%		
$R_{(ON)}$	Output switch on resistance	$V_{CC} = 4.5\text{ V}$ , $ID1, ID2 = 1\text{ A}$		0.16	0.25	$\Omega$
		$V_{CC} = 2.8\text{ V}$ , $ID1, ID2 = 1\text{ A}$		0.19	0.31	$\Omega$
		$V_{CC} = 2.25\text{ V}$ , $ID1, ID2 = 0.5\text{ A}$		0.21	0.45	$\Omega$
$V_{(SLEW)}$	Voltage slew rates on D1 and D2 for SN6505A	$R_L = 50\ \Omega$ to $V_{CC}$ ; Refer to <a href="#">Figure 36</a>		48		V/ $\mu\text{s}$
$I_{(SLEW)}$	Current slew rates at D1 and D2 for SN6505A	$R_L = 5\ \Omega$ through transformer; Refer to <a href="#">Figure 37</a>		11		A/ $\mu\text{s}$
$V_{(SLEWHF)}$	Voltage slew rates on D1 and D2 for SN6505B	$R_L = 50\ \Omega$ to $V_{CC}$ ; Refer to <a href="#">Figure 36</a>		152		V/ $\mu\text{s}$
$I_{(SLEWHF)}$	Current slew rates at D1 and D2 for SN6505B	$R_L = 5\ \Omega$ through transformer; Refer to <a href="#">Figure 37</a>		41		A/ $\mu\text{s}$
$I_{LIM}$	Current clamp limit (2.8 V < $V_{CC}$ < 5.5V )		1.42	1.75	2.15	A
	Current clamp limit (2.25 V < $V_{CC}$ < 2.8 V)		0.65		1.85	A
<b>THERMAL SHUT DOWN</b>						
$T_{SD+}$	$T_{SD}$ turn on temperature		154	168	181	$^\circ\text{C}$
$T_{SD-}$	$T_{SD}$ turn off temperature		135	150	166	$^\circ\text{C}$
$T_{SD-}$	$T_{SD}$ hysteresis		13	17		$^\circ\text{C}$

## 6.6 Timing Requirements

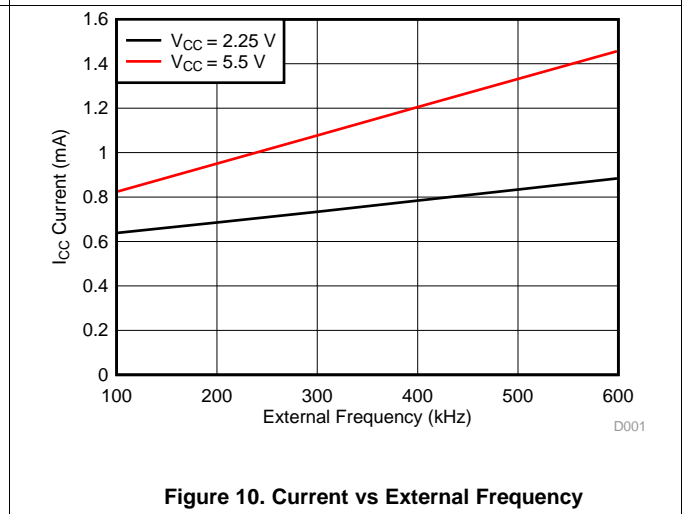
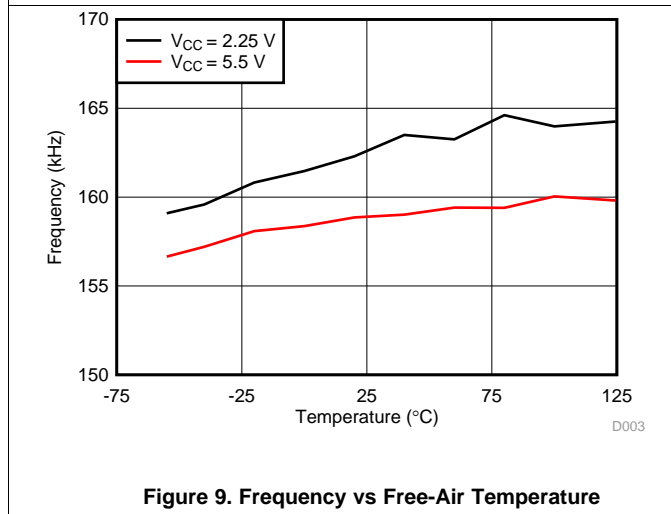
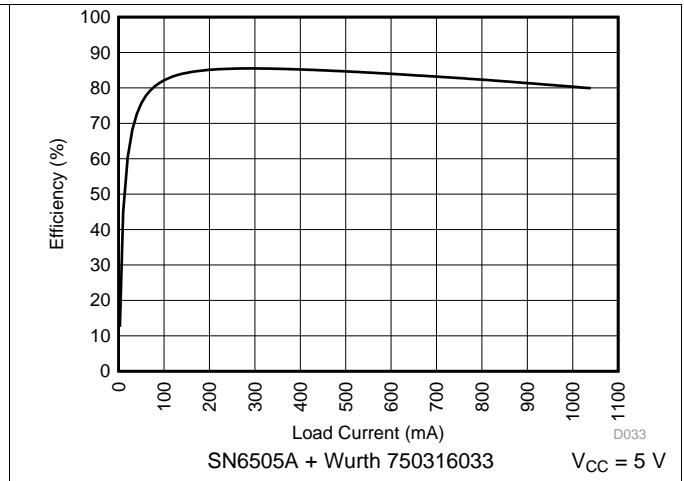
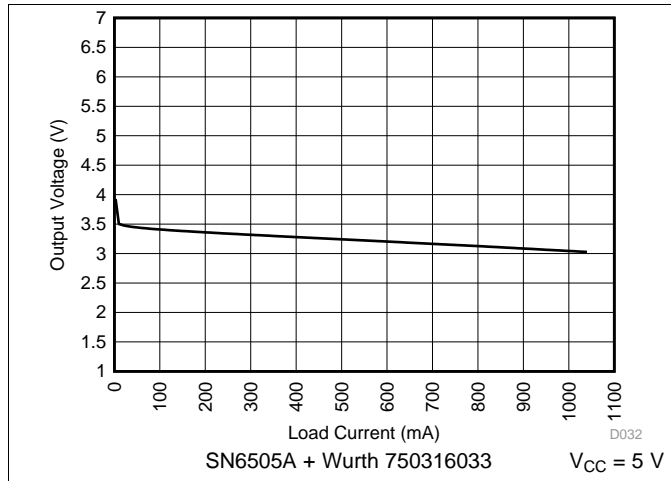
			MIN	NOM	MAX	UNIT
<b>CLK</b>						
$t_{\text{CLKTIMER}}$	Duration after which device switches to internal clock in case of invalid external clock		10		25	$\mu\text{s}$
<b>OUTPUT STAGE</b>						
$t_{\text{BBM}}$	Break-before-make time (SN6505A)	Measured as voltage with $R_L = 50 \Omega$ to $V_{\text{CC}}$ , Refer to <a href="#">Figure 36</a>		115		ns
	Break-before-make time (SN6505B)	Measured as voltage with $R_L = 50 \Omega$ to $V_{\text{CC}}$ , Refer to <a href="#">Figure 36</a>		90		ns
<b>SOFT-START</b>						
$t_{\text{SS}}$	Soft-start time	10% to 90% transition time on $V_{\text{OUT}}$ With transformer $C_{\text{LOAD}} = 40 \mu\text{F}$ $R_L = 5 \Omega$	1	4.25	8	ms
$t_{\text{SSdelay}}$	Soft-start time delay	From power up to 90% transition time on $V_{\text{OUT}}$ With transformer $C_{\text{LOAD}} = 40 \mu\text{F}$ $R_L = 5 \Omega$	3.5	8.5	18	ms

### 6.7 Typical Characteristics, SN6505A

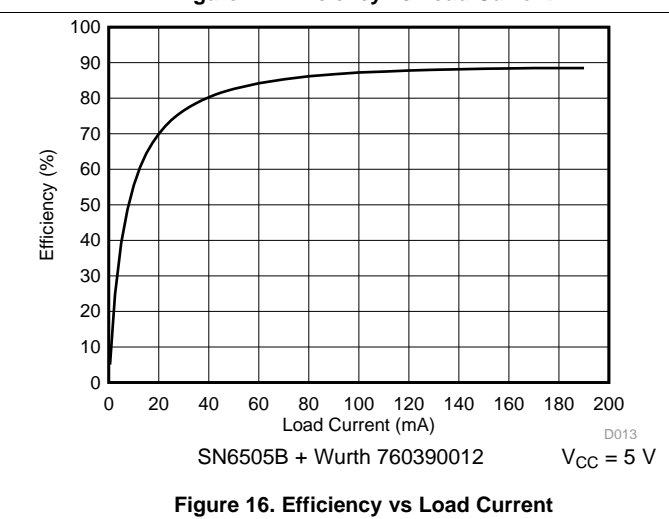
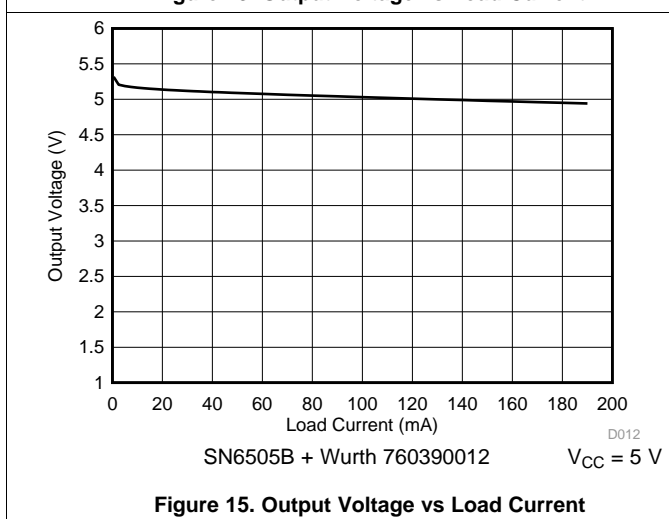
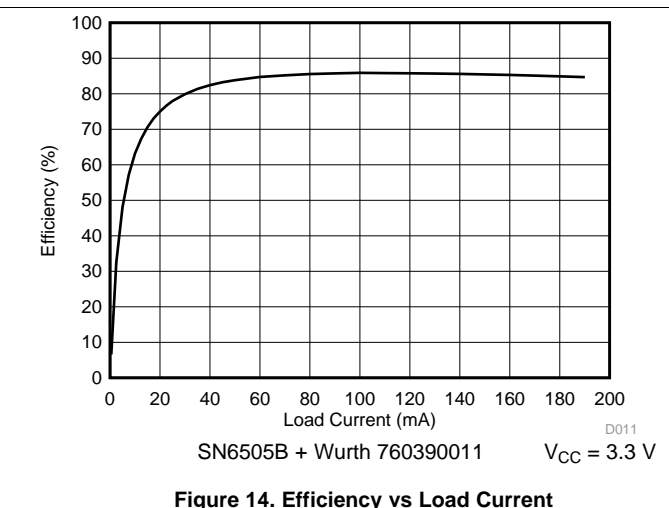
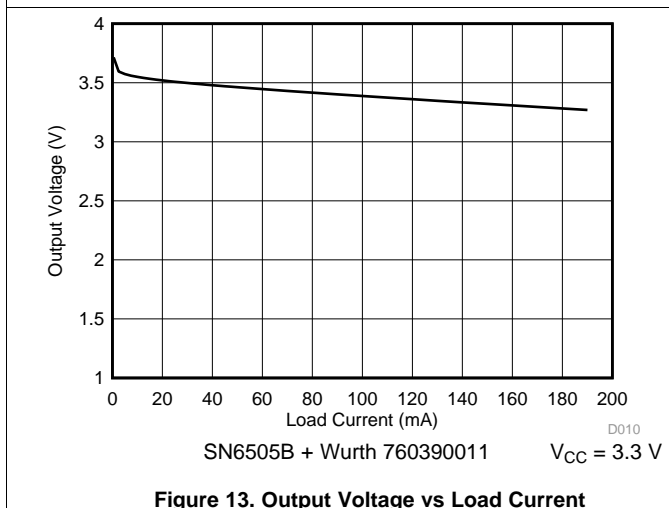
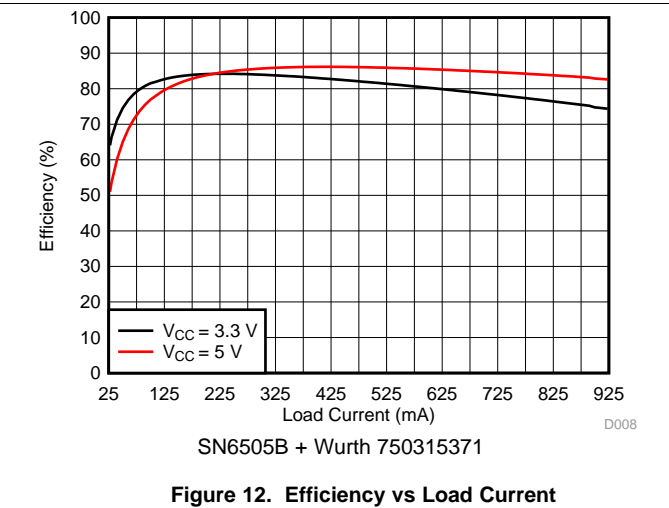
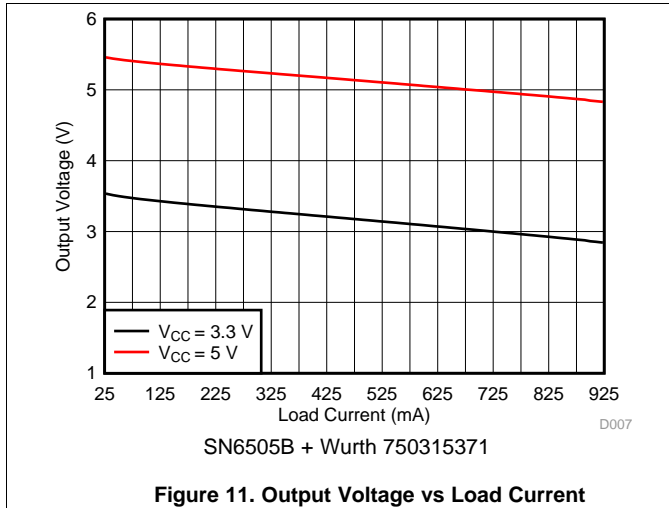




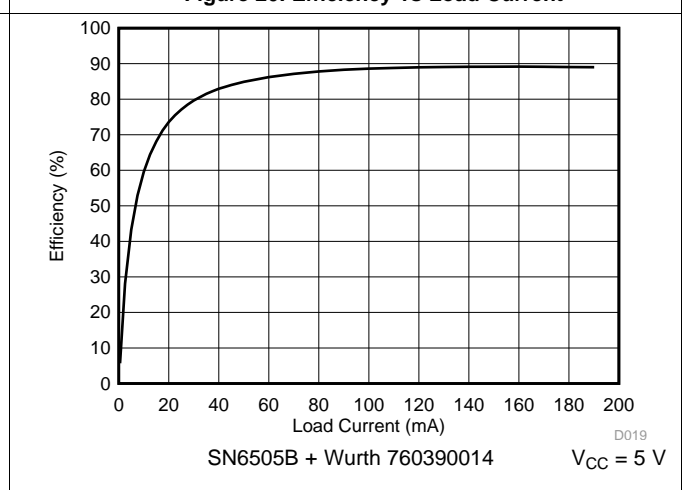
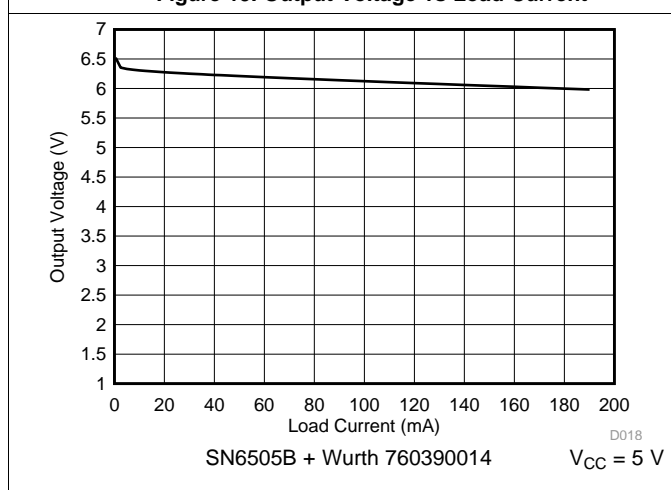
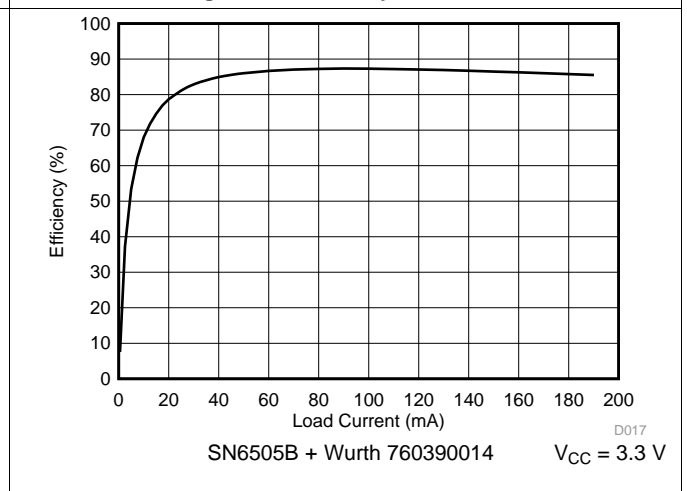
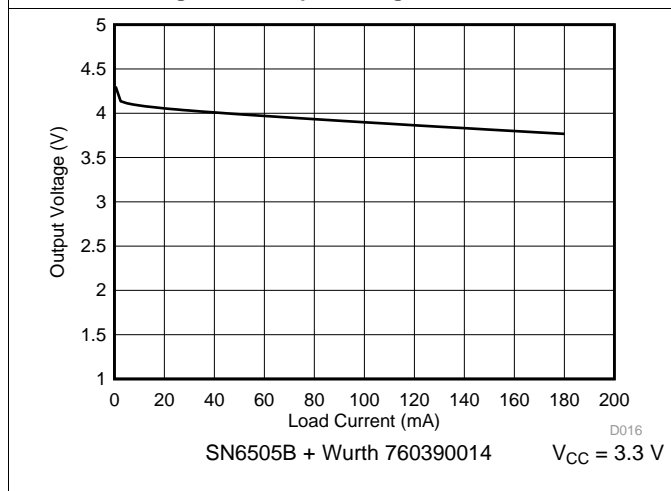
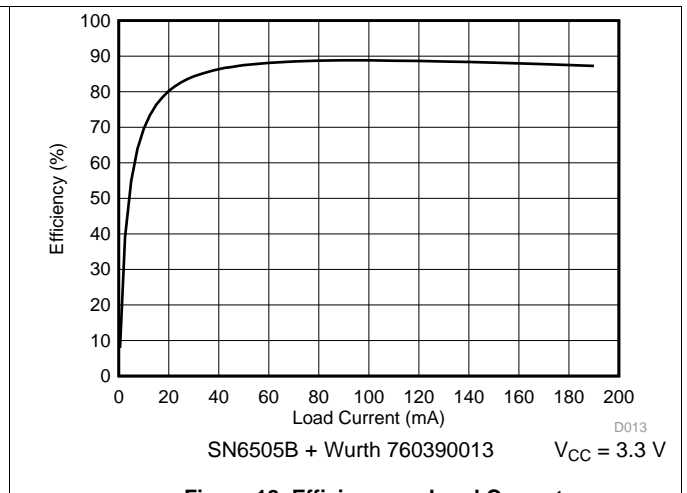
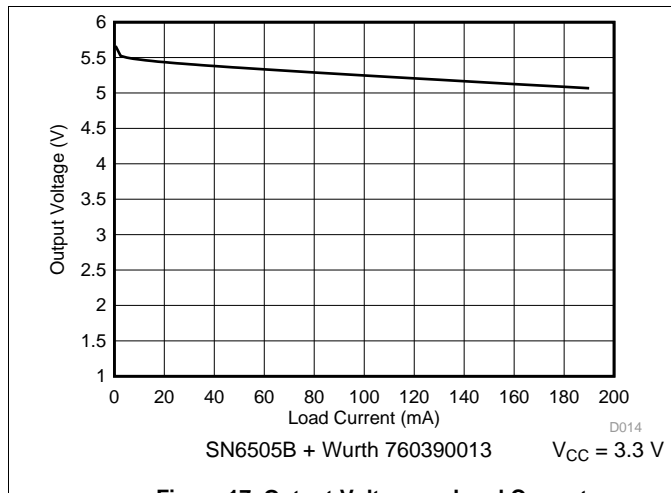
Typical Characteristics, SN6505A (continued)



### 6.8 Typical Characteristics, SN6505B



Typical Characteristics, SN6505B (continued)



Typical Characteristics, SN6505B (continued)

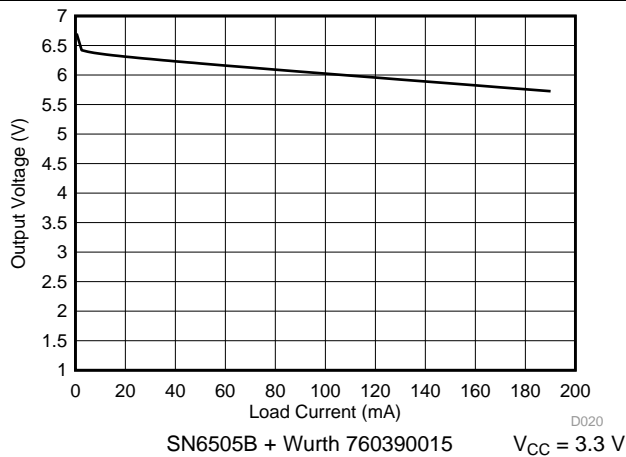


Figure 23. Output Voltage vs Load Current

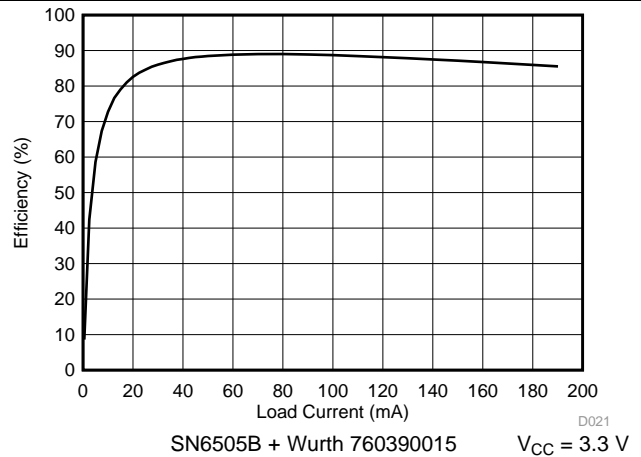


Figure 24. Efficiency vs Load Current

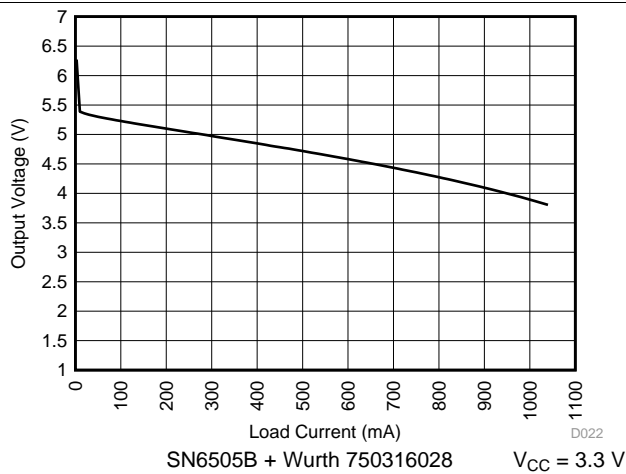


Figure 25. Output Voltage vs Load Current

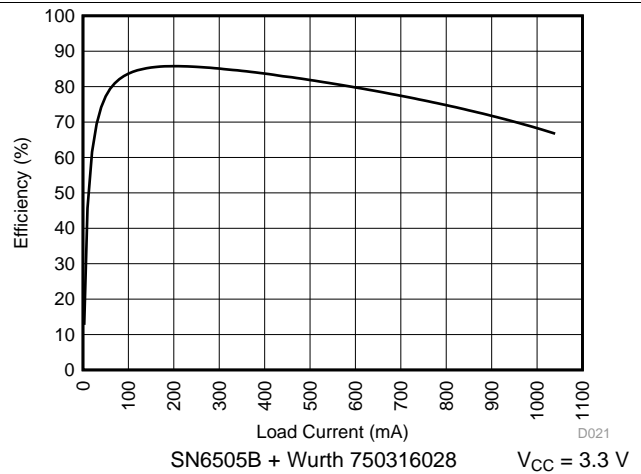


Figure 26. Efficiency vs Load Current

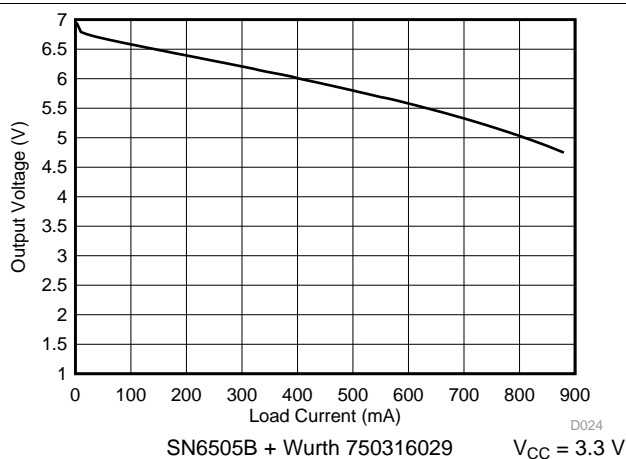


Figure 27. Output Voltage vs Load Current

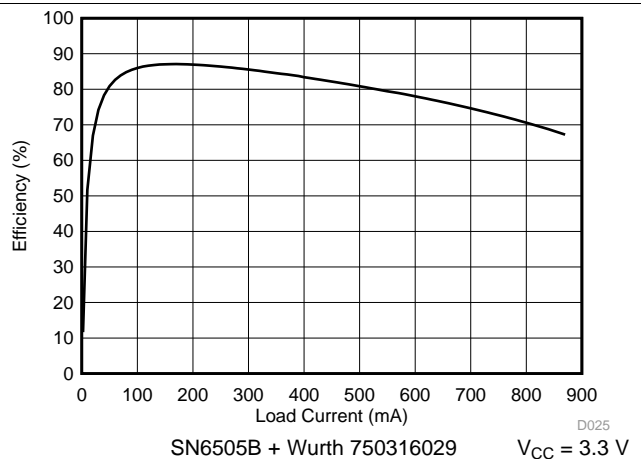
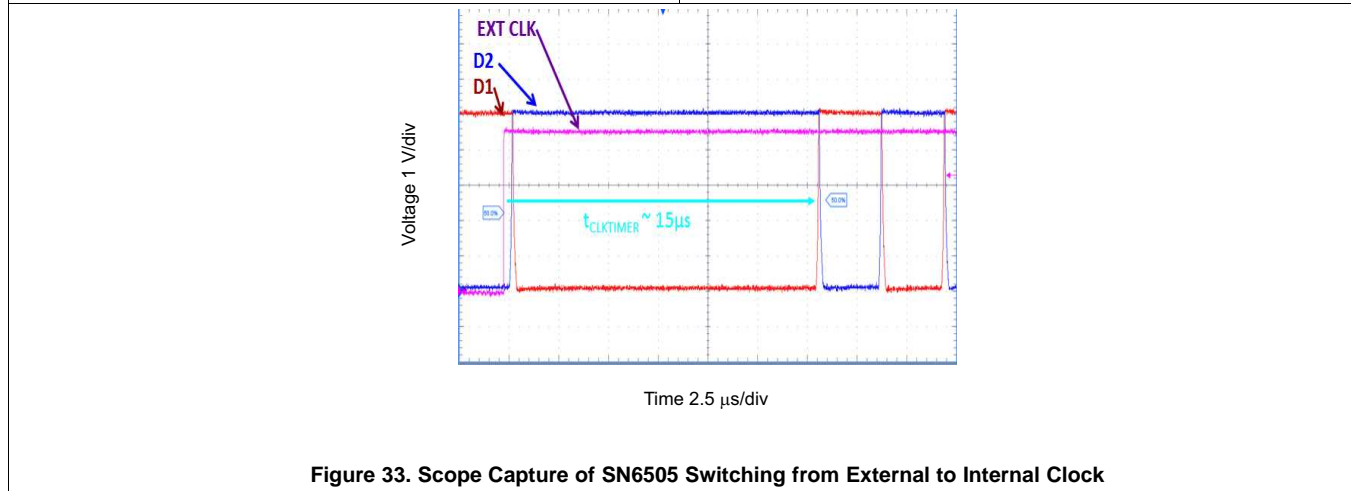
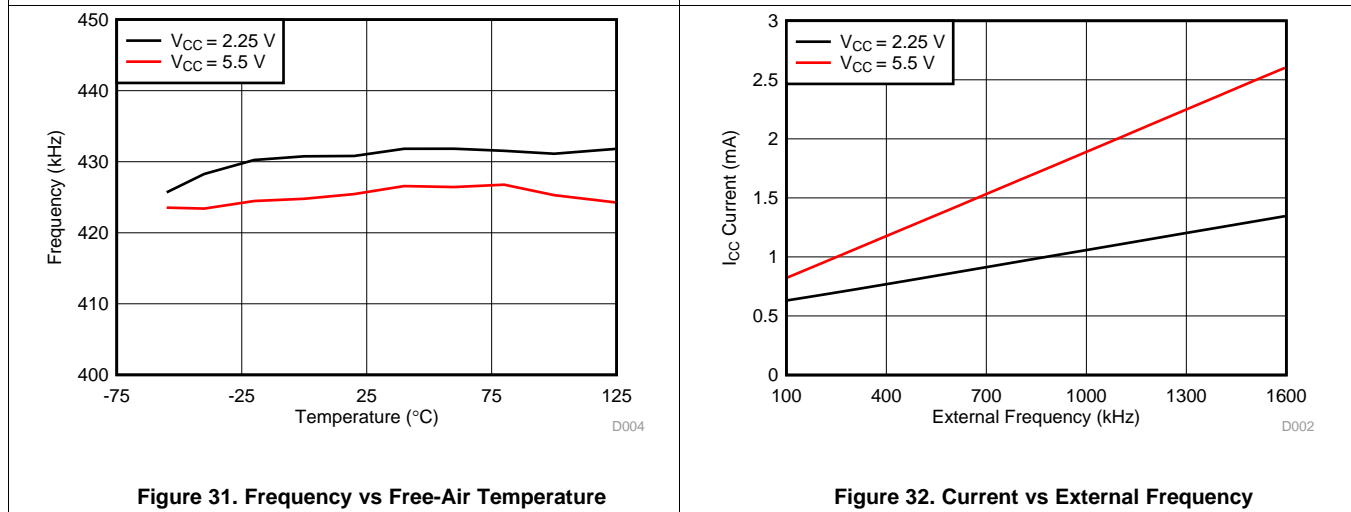
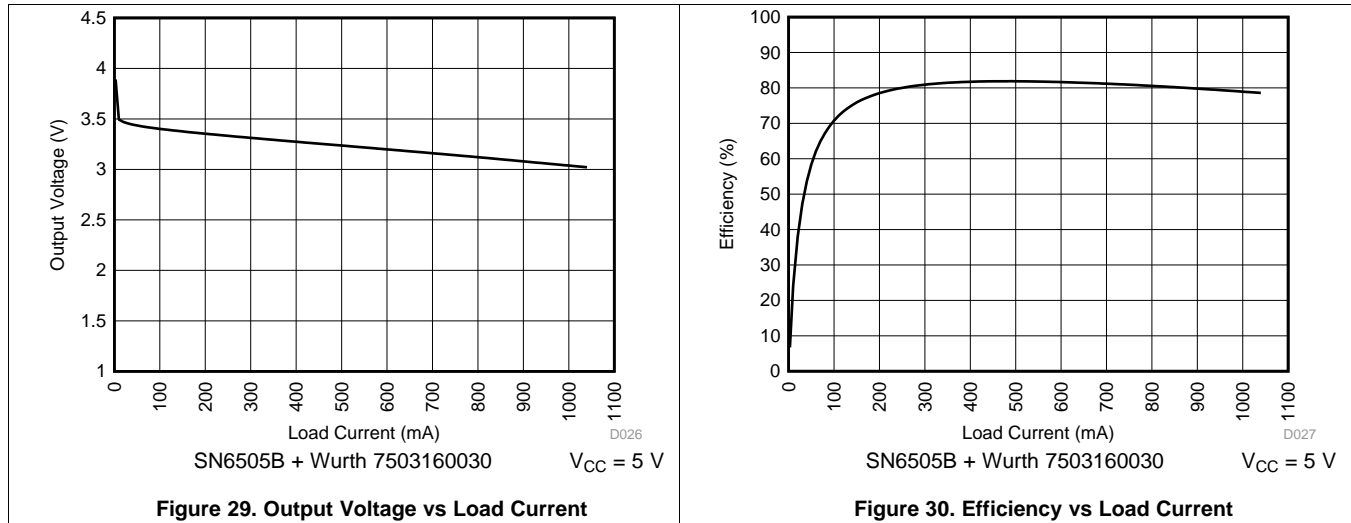
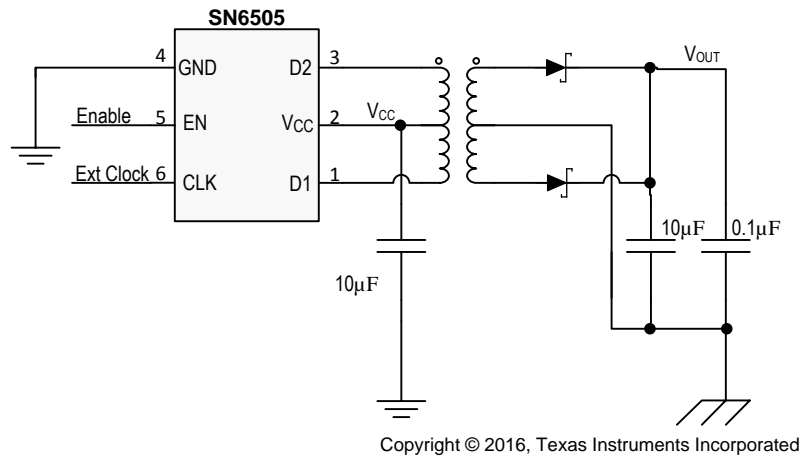


Figure 28. Efficiency vs Load Current

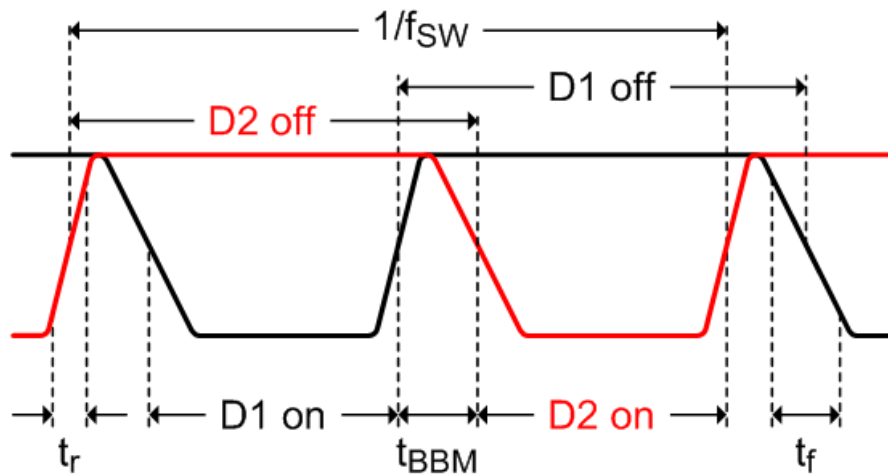
Typical Characteristics, SN6505B (continued)



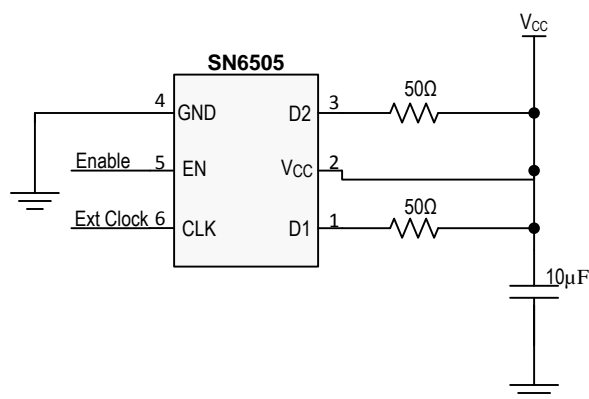
## 7 Parameter Measurement Information



**Figure 34. Measurement Circuit for Unregulated Output (TP1)**

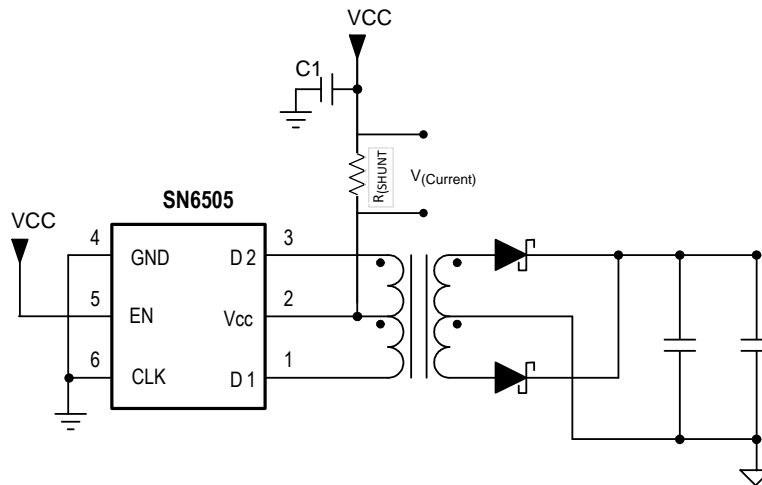


**Figure 35. Timing Diagram**



**Figure 36. Test Circuit for  $F_{SW}$ ,  $V_{(slew)}$ ,  $t_{BBM}$**

**Parameter Measurement Information (continued)**



Copyright © 2016, Texas Instruments Incorporated

**Figure 37.  $I_{(slew)}$  Test Setup**

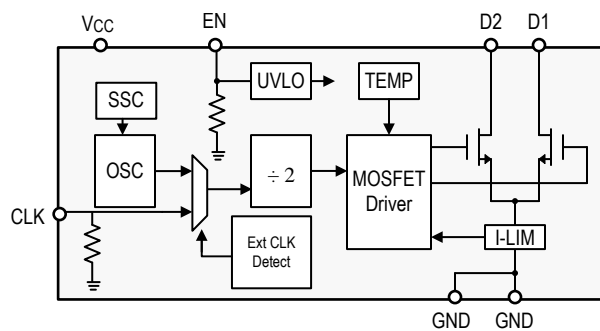
## 8 Detailed Description

### 8.1 Overview

The SN6505 is a transformer driver designed for low-cost, small form-factor, isolated DC/DC converters utilizing the push-pull topology. The device includes an oscillator that feeds a gate-drive circuit. The gate-drive, comprising a frequency divider and a break-before-make (BBM) logic, provides two complementary output signals which alternately turn the two output transistors on and off.

The output frequency of the oscillator is divided down by two. A subsequent break-before-make logic inserts a dead-time between the high-pulses of the two signals. Before either one of the gates can assume logic high, the BBM logic ensures a short time period during which both signals are low and both transistors are high-impedance. This short period, is required to avoid shorting out both ends of the primary. The resulting output signals, present the gate-drive signals for the output transistors.

### 8.2 Functional Block Diagram



### 8.3 Feature Description

#### 8.3.1 Push-Pull Converter

Push-pull converters require transformers with center-taps to transfer power from the primary to the secondary (see Figure 38).

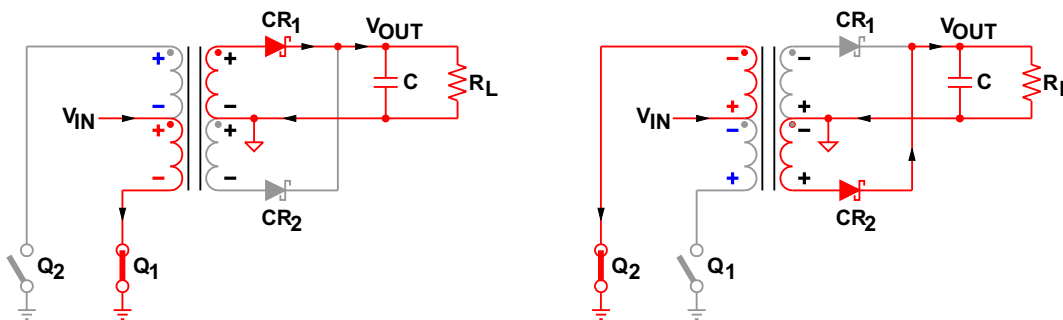


Figure 38. Switching Cycles of a Push-Pull Converter

When  $Q_1$  conducts,  $V_{IN}$  drives a current through the lower half of the primary to ground, thus creating a negative voltage potential at the lower primary end with regards to the  $V_{IN}$  potential at the center-tap.

At the same time the voltage across the upper half of the primary is such that the upper primary end is positive with regards to the center-tap in order to maintain the previously established current flow through  $Q_2$ , which now has turned high-impedance. The two voltage sources, each of which equaling  $V_{IN}$ , appear in series and cause a voltage potential at the open end of the primary of  $2 \times V_{IN}$  with regards to ground.

Per dot convention the same voltage polarities that occur at the primary also occur at the secondary. The positive potential of the upper secondary end therefore forward biases diode  $CR_1$ . The secondary current starting from the upper secondary end flows through  $CR_1$ , charges capacitor  $C$ , and returns through the load impedance  $R_L$  back to the center-tap.



## Feature Description (continued)

When  $Q_2$  conducts,  $Q_1$  goes high-impedance and the voltage polarities at the primary and secondary reverse. Now the lower end of the primary presents the open end with a  $2 \times V_{IN}$  potential against ground. In this case  $CR_2$  is forward biased while  $CR_1$  is reverse biased and current flows from the lower secondary end through  $CR_2$ , charging the capacitor and returning through the load to the center-tap.

### 8.3.2 Core Magnetization

Figure 39 shows the ideal magnetizing curve for a push-pull converter with  $B$  as the magnetic flux density and  $H$  as the magnetic field strength. When  $Q_1$  conducts the magnetic flux is pushed from  $A$  to  $A'$ , and when  $Q_2$  conducts the flux is pulled back from  $A'$  to  $A$ . The difference in flux and thus in flux density is proportional to the product of the primary voltage,  $V_P$ , and the time,  $t_{ON}$ , it is applied to the primary:  $B \approx V_P \times t_{ON}$ .

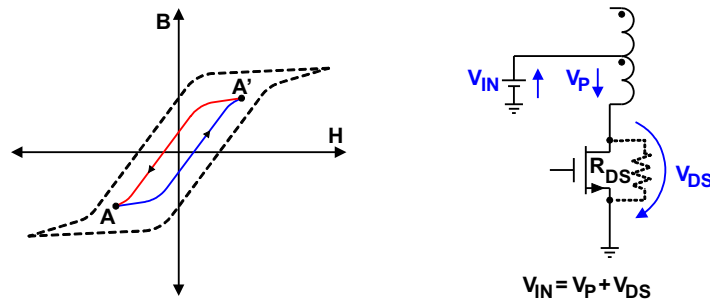


Figure 39. Core Magnetization and Self-Regulation Through Positive Temperature Coefficient of  $R_{DS(on)}$

This volt-seconds ( $V$ - $t$ ) product is important as it determines the core magnetization during each switching cycle. If the  $V$ - $t$  products of both phases are not identical, an imbalance in flux density swing results with an offset from the origin of the  $B$ - $H$  curve. If balance is not restored, the offset increases with each following cycle and the transformer slowly creeps toward the saturation region.

## 8.4 Device Functional Modes

The functional modes of the device are divided into start-up, operating, and off-mode.

### 8.4.1 Start-Up Mode

When the supply voltage at  $V_{CC}$  ramps up to 2.25 V, the internal oscillator starts operating. The output stage begins switching but the amplitude of the drain signals at D1 and D2 has not reached its full maximum yet.

#### 8.4.1.1 Soft-Start

SN6505A and SN6505B devices support soft-start feature. Upon power up or when EN pin transitions from Low to High, the gate drive of the output power-MOSFET is gradually increased over a period of time from 0 V to  $V_{CC}$ . Soft-start prevents high inrush current from  $V_{CC}$  while charging large secondary side decoupling capacitors, and also prevents overshoot in secondary voltage during power-up.

### 8.4.2 Operating Mode

When the device supply has reached its nominal value  $\pm 10\%$  the oscillator is fully operating. However variations over supply voltage and operating temperature can vary the switching frequencies at D1 and D2.

### 8.4.3 Shutdown-Mode

The device has a dedicated enable pin to put the device in very low power mode to save power when not in use. Enable pin has an internal pull down resistor which keeps device disabled when not driven. When disabled or when  $V_{CC}$  is  $< 1.7$  V, both drain outputs, D1 and D2, are tri-stated.

### 8.4.4 Spread Spectrum Clocking

Radiated emissions is an important concern in high current switching power supplies. SN6505 addresses this by modulating its internal clock in such a way that the emitting energy is spread over multiple frequency bins. This Spread Spectrum clocking feature greatly improves the emissions performance of the entire power supply block and hence relieves the system designer from one major concern in isolated power supply design.

### 8.4.5 External Clock Mode

The SN6505 has a CLK pin which can be used to synchronize the device with system clock and in turn with other SN6505 devices so that the system can control the exact switching frequency of the device. The Rising edge of the CLK is used to divide a clock by two and used to drive the gates. [Figure 41](#) shows the timing diagram for the same. The device also has external clock fail safe feature which automatically switches the device to the internal clock if a valid input clock is not present for long ( $t_{CLKTIMER}$ ). The in-built emissions reduction scheme of Spread Spectrum clocking is disabled when external clock is present.

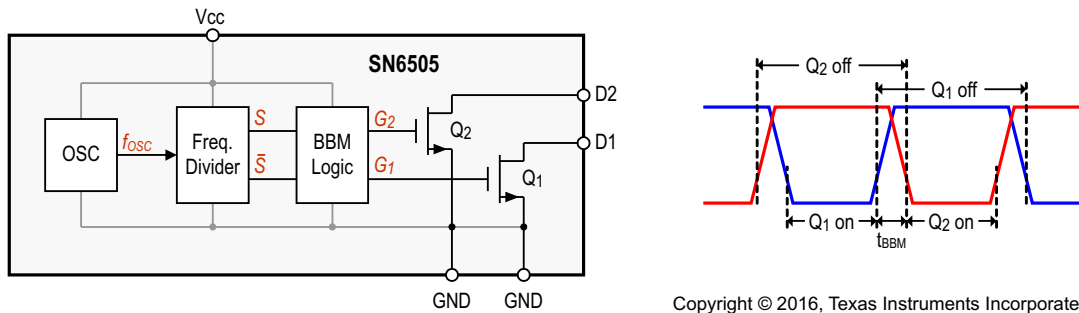
## 9 Application and Implementation

### NOTE

Information in the following applications sections is not part of the TI component specification, and TI does not warrant its accuracy or completeness. TI's customers are responsible for determining suitability of components for their purposes. Customers should validate and test their design implementation to confirm system functionality.

### 9.1 Application Information

The SN6505 is a transformer driver designed for low-cost, small form-factor, isolated DC/DC converters using the push-pull topology. The device includes an oscillator that feeds a gate-drive circuit. The gate-drive, comprising a frequency divider and a break-before-make (BBM) logic, provides two complementary output signals which alternately turn the two output transistors on and off.



Copyright © 2016, Texas Instruments Incorporated

Figure 40. Block Diagram and Output Timing With Break-Before-Make Action

The output frequency of the oscillator is divided down by an asynchronous divider that provides two complementary output signals, S and  $\bar{S}$ , with a 50% duty cycle. A subsequent break-before-make logic inserts a dead-time between the high-pulses of the two signals. The resulting output signals,  $G_1$  and  $G_2$ , present the gate-drive signals for the output transistors  $Q_1$  and  $Q_2$ . As shown in Figure 41, before either one of the gates can assume logic high, there must be a short time period during which both signals are low and both transistors are high-impedance. This short period, known as break-before-make time, is required to avoid shorting out both ends of the primary.

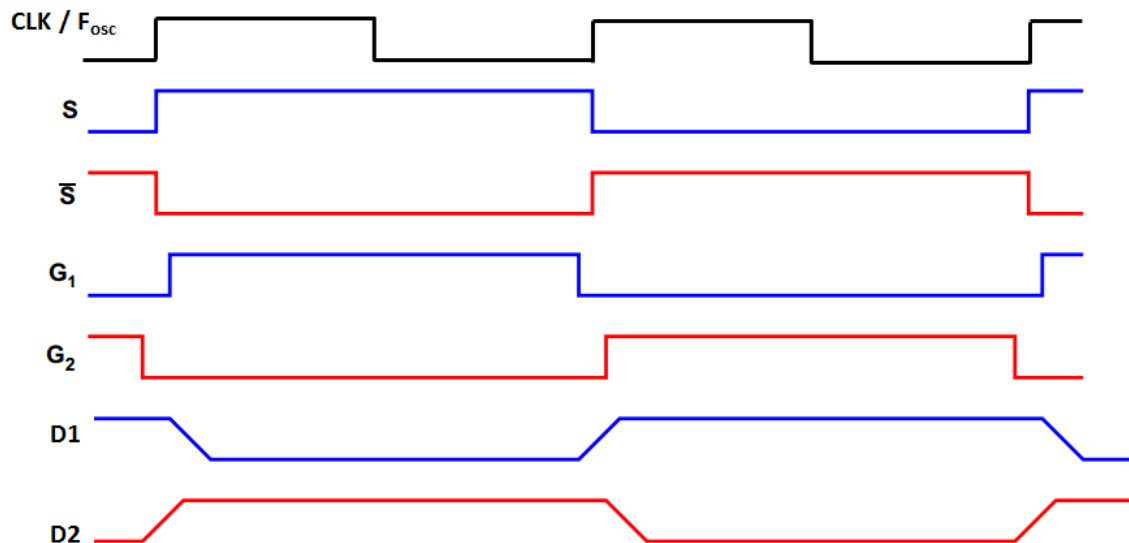
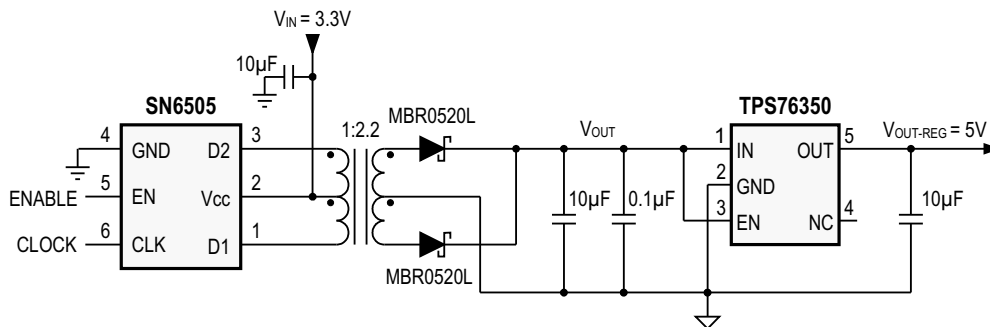


Figure 41. Detailed Output Signal Waveforms

## 9.2 Typical Application



Copyright © 2016, Texas Instruments Incorporated

**Figure 42. Typical Application Schematic**

### 9.2.1 Design Requirements

For this design example, use the parameters listed in [Table 1](#) as design parameters.

**Table 1. Design Parameters**

DESIGN PARAMETER	EXAMPLE VALUE
Input voltage range	3.3 V ± 3%
Output voltage	5 V
Maximum load current	100 mA

### 9.2.2 Detailed Design Procedure

The following recommendations on components selection focus on the design of an efficient push-pull converter with high current drive capability. Contrary to popular belief, the output voltage of the unregulated converter output drops significantly over a wide range in load current. The characteristic curve in [Figure 1](#) and [Figure 11](#) for example, shows that the difference between  $V_{OUT}$  at minimum load and  $V_{OUT}$  at maximum load exceeds a transceiver's supply range. Therefore, in order to provide a stable, load independent supply while maintaining maximum possible efficiency the implementation of a low dropout regulator (LDO) is strongly advised.

The final converter circuit is shown in [Figure 47](#). The measured  $V_{OUT}$  and efficiency characteristics for the regulated and unregulated outputs are shown in [Figure 2](#) and [Figure 12](#).

#### 9.2.2.1 Drive Capability

The transformer driver is designed for low-power push-pull converters with input and output voltages in the range of 2.25 V to 5.5 V. While converter designs with higher output voltages are possible, care must be taken that higher turns ratios don't lead to primary currents that exceed the specified current limits of the device.

#### 9.2.2.2 LDO Selection

The minimum requirements for a suitable low dropout regulator are:

- Its current drive capability should slightly exceed the specified load current of the application to prevent the LDO from dropping out of regulation. Therefore, for a load current of 600 mA, choose a 600 mA to 750 mA LDO. While regulators with higher drive capabilities are acceptable, they also usually possess higher dropout voltages that will reduce overall converter efficiency.
- The internal dropout voltage,  $V_{DO}$ , at the specified load current should be as low as possible to maintain efficiency. For a low-cost 750 mA LDO, a  $V_{DO}$  of 600 mV at 750 mA is common. Be aware; however, that this lower value is usually specified at room temperature and can increase by a factor of 2 over temperature, which in turn will raise the required minimum input voltage.
- The required minimum input voltage preventing the regulator from dropping out of line regulation is given with:

$$V_{I-min} = V_{DO-max} + V_{O-max} \quad (1)$$

This means in order to determine  $V_I$  for worst-case condition, the user must take the maximum values for  $V_{DO}$  and  $V_O$  specified in the LDO data sheet for rated output current (that is, 600 mA) and add them together. Also specify that the output voltage of the push-pull rectifier at the specified load current is equal or higher than  $V_{I-min}$ . If it is not, the LDO will lose line-regulation and any variations at the input passes straight through to the output. Hence, below  $V_{I-min}$  the output voltage follows the input and the regulator behaves like a simple conductor.

- The maximum regulator input voltage must be higher than the rectifier output under no-load. Under this condition there is no secondary current reflected back to the primary, thus making the voltage drop across  $R_{DS-on}$  negligible and allowing the entire converter input voltage to drop across the primary. At this point, the secondary reaches its maximum voltage of

$$V_{S-max} = V_{IN-max} \times n \tag{2}$$

with  $V_{IN-max}$  as the maximum converter input voltage and  $n$  as the transformer turns ratio. Thus to prevent the LDO from damage the maximum regulator input voltage must be higher than  $V_{S-max}$ . Table 2 lists the maximum secondary voltages for various turns ratios commonly applied in push-pull converters.

**Table 2. Required Maximum LDO Input Voltages for Various Push-Pull Configurations**

PUSH-PULL CONVERTER				LDO
CONFIGURATION	$V_{IN-max}$ [V]	URNS-RATIO	$V_{S-max}$ [V]	$V_{I-max}$ [V]
3.3 $V_{IN}$ to 3.3 $V_{OUT}$	3.6	1.5 ± 3%	5.6	6 to 10
3.3 $V_{IN}$ to 5 $V_{OUT}$	3.6	2.2 ± 3%	8.2	10
5 $V_{IN}$ to 5 $V_{OUT}$	5.5	1.5 ± 3%	8.5	10

**9.2.2.3 Diode Selection**

A rectifier diode should always possess low-forward voltage to provide as much voltage to the converter output as possible. When used in high-frequency switching applications, such as the SN6505 however, the diode must also possess a short recovery time. Schottky diodes meet both requirements and are therefore strongly recommended in push-pull converter designs. A good choice for low-volt applications and ambient temperatures of up to 85°C is the low-cost Schottky rectifier MBR0520L with a typical forward voltage of 275 mV at 100-mA forward current. For higher output voltages such as ±10 V and above use the MBR0530 which provides a higher DC blocking voltage of 30 V.

Lab measurements have shown that at temperatures higher than 100°C the leakage currents of the above Schottky diodes increase significantly. This can cause thermal runaway leading to the collapse of the rectifier output voltage. Therefore, for ambient temperatures higher than 85°C use low-leakage Schottky diodes, such as RB168MM-40.

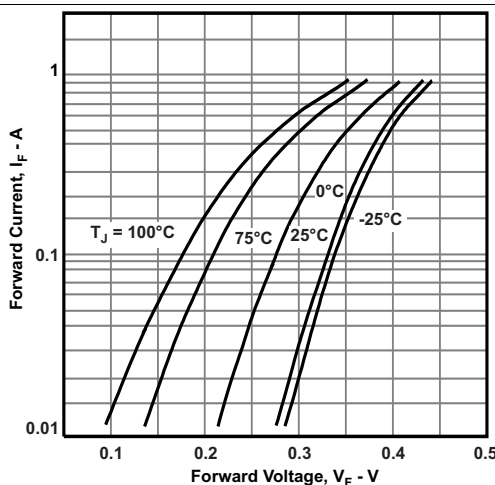


Figure 43. Diode Forward Characteristics for MBR0520L

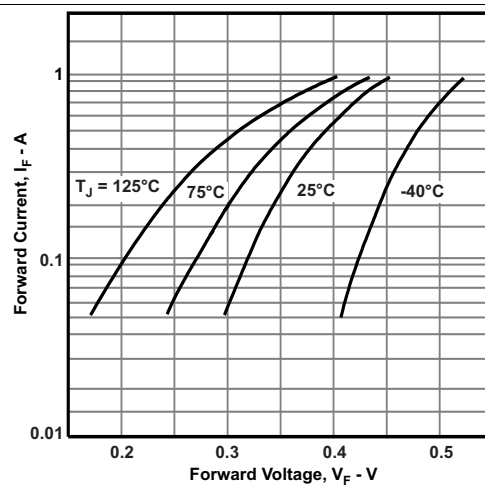


Figure 44. Diode Forward Characteristics MBR0530

### 9.2.2.4 Capacitor Selection

The capacitors in the converter circuit in [Figure 47](#) are multi-layer ceramic chip (MLCC) capacitors.

As with all high speed CMOS ICs, the device requires a bypass capacitor in the range of 10 nF to 100 nF.

The input bulk capacitor at the center-tap of the primary supports large currents into the primary during the fast switching transients. For minimum ripple make this capacitor 1  $\mu$ F to 10  $\mu$ F. In a 2-layer PCB design with a dedicated ground plane, place this capacitor close to the primary center-tap to minimize trace inductance. In a 4-layer board design with low-inductance reference planes for ground and  $V_{IN}$ , the capacitor can be placed at the supply entrance of the board. To ensure low-inductance paths use two vias in parallel for each connection to a reference plane or to the primary center-tap.

The bulk capacitor at the rectifier output smooths the output voltage. Make this capacitor 1  $\mu$ F to 10  $\mu$ F.

The small capacitor at the regulator input is not necessarily required. However, good analog design practice suggests, using a small value of 47 nF to 100 nF improves the regulator's transient response and noise rejection.

The LDO output capacitor buffers the regulated output for the subsequent isolator and transceiver circuitry. The choice of output capacitor depends on the LDO stability requirements specified in the data sheet. However, in most cases, a low-ESR ceramic capacitor in the range of 4.7  $\mu$ F to 10  $\mu$ F will satisfy these requirements.

### 9.2.2.5 Transformer Selection

#### 9.2.2.5.1 V-t Product Calculation

To prevent a transformer from saturation its V-t product must be greater than the maximum V-t product applied by the device. The maximum voltage delivered by the device is the nominal converter input plus 10%. The maximum time this voltage is applied to the primary is half the period of the lowest frequency at the specified input voltage. Therefore, the transformer's minimum V-t product is determined through:

$$Vt_{\min} \geq V_{IN-\max} \times \frac{T_{\max}}{2} = \frac{V_{IN-\max}}{2 \times f_{\min}} \quad (3)$$

Taking an example of  $f_{\min}$  as 138 kHz for [SN6505A](#) and 363 kHz for [SN6505B](#) with a 5 V supply, [Equation 3](#) yields the minimum V-t products of:

$$Vt_{\min} \geq \frac{5.5 \text{ V}}{2 \times 138 \text{ kHz}} = 20 \text{ V}\mu\text{s} \quad \text{for SN6505A, and}$$

$$Vt_{\min} \geq \frac{5.5 \text{ V}}{2 \times 363 \text{ kHz}} = 7.6 \text{ V}\mu\text{s} \quad \text{for SN6505B applications.} \quad (4)$$

Common V-t values for low-power center-tapped transformers range from 22  $V\mu\text{s}$  to 150  $V\mu\text{s}$  with typical footprints of 10 mm x 12 mm. However, transformers specifically designed for PCMCIA applications provide as little as 11  $V\mu\text{s}$  and come with a significantly reduced footprint of 6 mm x 6 mm only.

While Vt-wise all of these transformers can be driven by the device, other important factors such as isolation voltage, transformer wattage, and turns ratio must be considered before making the final decision.

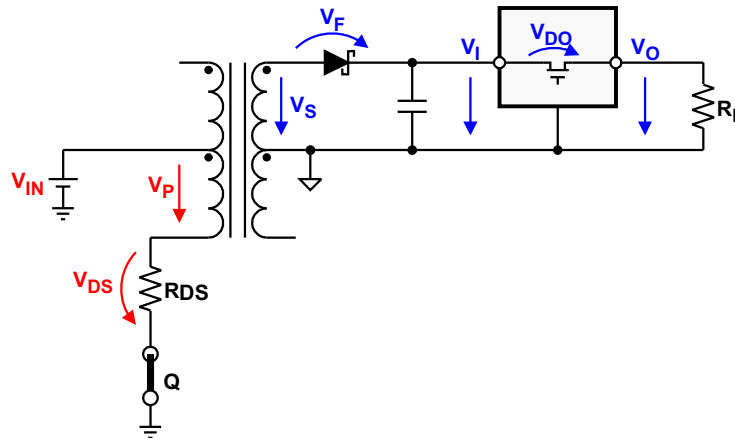
#### 9.2.2.5.2 Turns Ratio Estimate

Assume the rectifier diodes and linear regulator has been selected. Also, it has been determined that the transformer chosen must have a V-t product of at least 11  $V\mu\text{s}$ . However, before searching the manufacturer web sites for a suitable transformer, the user still needs to know its minimum turns ratio that allows the push-pull converter to operate flawlessly over the specified current and temperature range. This minimum transformation ratio is expressed through the ratio of minimum secondary to minimum primary voltage multiplied by a correction factor that takes the transformer's typical efficiency of 97% into account:

$$V_{P-\min} = V_{IN-\min} - V_{DS-\max} \quad (5)$$

$V_{S-\min}$  must be large enough to allow for a maximum voltage drop,  $V_{F-\max}$ , across the rectifier diode and still provide sufficient input voltage for the regulator to remain in regulation. From the [LDO Selection](#) section, this minimum input voltage is known and by adding  $V_{F-\max}$  gives the minimum secondary voltage with:

$$V_{S-\min} = V_{F-\max} + V_{DO-\max} + V_{O-\max} \quad (6)$$



**Figure 45. Establishing the Required Minimum Turns Ratio Through  $n_{\min} = 1.031 \times V_{S-\min} / V_{P-\min}$**

Then calculating the available minimum primary voltage,  $V_{P-\min}$ , involves subtracting the maximum possible drain-source voltage of the device,  $V_{DS-\max}$ , from the minimum converter input voltage  $V_{IN-\min}$ :

$$V_{P-\min} = V_{IN-\min} - V_{DS-\max} \quad (7)$$

$V_{DS-\max}$  however, is the product of the maximum  $R_{DS(on)}$  and  $I_D$  values for a given supply specified in the data sheet:

$$V_{DS-\max} = R_{DS-\max} \times I_{D-\max} \quad (8)$$

Then inserting Equation 8 into Equation 7 yields:

$$V_{P-\min} = V_{IN-\min} - R_{DS-\max} \times I_{D-\max} \quad (9)$$

and inserting Equation 9 and Equation 6 into Equation 5 provides the minimum turns ratio with:

$$n_{\min} = 1.031 \times \frac{V_{F-\max} + V_{DO-\max} + V_{O-\max}}{V_{IN-\min} - R_{DS-\max} \times I_{D-\max}} \quad (10)$$

**Example:**

For a 3.3  $V_{IN}$  to 5  $V_{OUT}$  converter using the rectifier diode MBR0520L and the 5 V LDO, the data sheet values taken for a load current of 600 mA and a maximum temperature of 85°C are  $V_{F-\max} = 0.2$  V,  $V_{DO-\max} = 0.5$  V, and  $V_{O-\max} = 5.1$  V.

Then assuming that the converter input voltage is taken from a 3.3 V controller supply with a maximum  $\pm 2\%$  accuracy makes  $V_{IN-\min} = 3.234$  V. Finally the maximum values for drain-source resistance and drain current at 3.3 V are taken from the data sheet with  $R_{DS-\max} = 0.31 \Omega$  and  $I_{D-\max} = 1$  A.

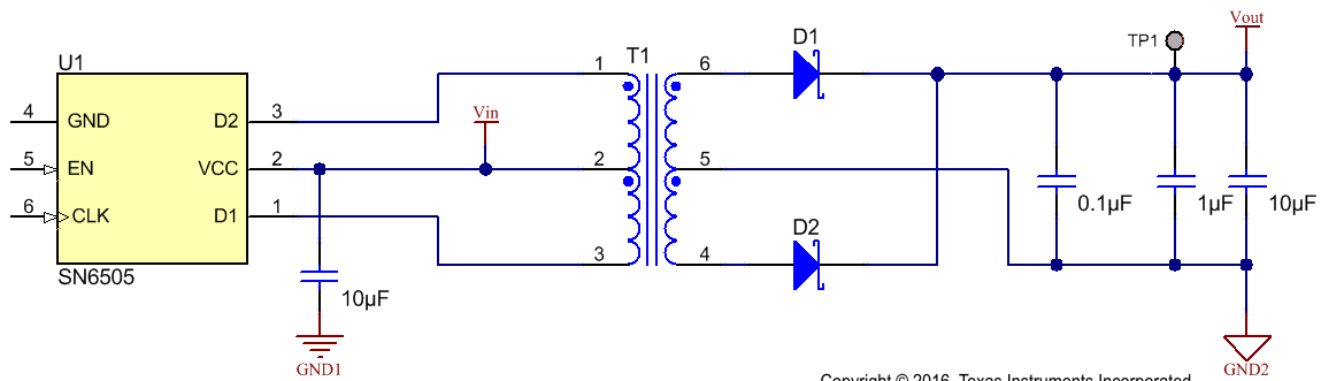
Inserting the values above into Equation 10 yields a minimum turns ratio of:

$$n_{\min} = 1.031 \times \frac{0.2 \text{ V} + 0.5 \text{ V} + 5.1 \text{ V}}{3.234 \text{ V} - 0.31 \Omega \times 1 \text{ A}} = 2.05 \quad (11)$$

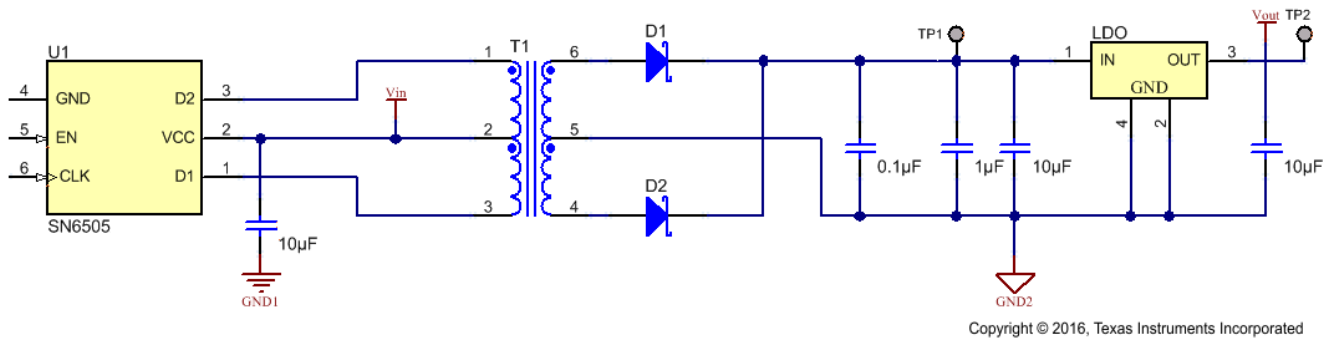
Most commercially available transformers for 3-to-5 V push-pull converters offer turns ratios between 2.0 and 2.3 with a common tolerance of  $\pm 3\%$ .

### 9.2.2.5.3 Recommended Transformers

Depending on the application, use the minimum configuration in [Figure 46](#) or standard configuration in [Figure 47](#).



**Figure 46. Unregulated Output for Low-Current Loads With Wide Supply Range**



**Figure 47. Regulated Output for Stable Supplies and High Current Loads**

The Würth Electronics Midcom isolation transformers in [Table 3](#) are optimized designs for the device, providing high efficiency and small form factor at low-cost.

The 1:1.1 and 1:1.7 turns-ratios are designed for logic applications with wide supply rails and low load currents. These applications operate without LDO, thus achieving further cost-reduction.



**Table 3. Recommended Isolation Transformers Optimized for the Device**

URNS RATIO	V × T (V <sub>μs</sub> )	ISOLATION (V <sub>RMS</sub> )	DIMENSIONS (mm)	APPLICATION	LDO <sup>(1)</sup>	ORDER NO.	MANUFACTURER		
1:1.1 ±2%	7	2500	6.73 x 10.05 x 4.19	3.3 V → 3.3 V, 100mA, SN6505B Refer to <a href="#">Figure 13</a> and <a href="#">Figure 14</a>	No	760390011	Würth Electronics / Midcom		
1:1.1 ±2%				5 V → 5 V, 100mA, SN6505B Refer to <a href="#">Figure 15</a> and <a href="#">Figure 16</a>		760390012			
1:1.7 ±2%				3.3 V → 5 V, 100mA, SN6505B Refer to <a href="#">Figure 17</a> and <a href="#">Figure 18</a>		760390013			
1:1.3 ±2%				3.3 V → 3.3 V, 100mA, SN6505B Refer to <a href="#">Figure 19</a> and <a href="#">Figure 20</a>	Yes	760390014			
1:1.3 ±2%				5 V → 5 V, 100mA, SN6505B Refer to <a href="#">Figure 21</a> and <a href="#">Figure 22</a>		760390014			
1:2.1 ±2%				3.3 V → 5 V, 100mA, SN6505B Refer to <a href="#">Figure 23</a> and <a href="#">Figure 24</a>		760390015			
1:23:1 ±2%				5 V → 3.3 V, 100mA, SN6505B		750313710			
1:1.7 ±2%	8.9		8.3 x 12.6 x 4.1	3.3 V → 3.3 V, 1A, SN6505B Refer to <a href="#">Figure 25</a> and <a href="#">Figure 26</a>	No	750316028			
1:2.1 ±2%				3.3 V → 5 V, 1A, SN6505B Refer to <a href="#">Figure 27</a> and <a href="#">Figure 28</a>		750316029			
1:3:1 ±2%				5 V → 3.3 V, 1A, SN6505B Refer to <a href="#">Figure 29</a> and <a href="#">Figure 30</a>	750316030				
1:1.1 ±2%	10.8			5000	3.3 V → 3.3 V, 1A, SN6505B 5 V → 5 V, 1A, SN6505B Refer to <a href="#">Figure 11</a> and <a href="#">Figure 12</a>	No		750315371	
					1:1.1 ±2%			3.3 V → 3.3 V, 100mA, SN6505B	750313734
					1:1.1 ±2%			5 V → 5 V, 100mA, SN6505B	750313734
1:1.7 ±2%	11				3.3 V → 5 V, 100mA, SN6505B	Yes		750313769	
1:1.3 ±2%		3.3 V → 3.3 V, 100mA, SN6505B 5 V → 5 V, 100mA, SN6505B			750313638				
1:2.1 ±2%		3.3 V → 5 V, 100mA, SN6505B			750313626				
1:3:1 ±2%		5 V → 3.3 V, 100mA, SN6505B			750313638				
1:1.75 ±2%		41			3.3 V → 3.3 V, 1A, SN6505A Refer to <a href="#">Figure 3</a> and <a href="#">Figure 4</a>	Yes	750316031		
1:2 ±2%					3.3 V → 5 V, 1A, SN6505A Refer to <a href="#">Figure 5</a> and <a href="#">Figure 6</a>	No	750316032		
1:3:1 ±2%	5.0 V → 3.3 V, 1A, SN6505A Refer to <a href="#">Figure 7</a> and <a href="#">Figure 8</a>				750316033				
1:1.1 ±2%	23	12.32 x 15.41 x 11.89			3.3 V → 3.3 V, 1A, SN6505A 5 V → 5 V, 1A, SN6505A Refer to <a href="#">Figure 1</a> and <a href="#">Figure 2</a>		750315240		
1:1.3 ±3%	11	5000	10.4 x 12.2 x 6.1		3.3 V → 3.3 V, 300mA, SN6505B 5 V → 5 V, 300mA, SN6505B	No	HCT-SM-1.3-8-2	Bourns	
1:1.1 ±2%	9.2	2500	7.01 x 11 x 4.19		3.3 V → 3.3 V, 150mA, SN6505B 5 V → 5 V, 150mA, SN6505B	No	EPC3668G-LF	PCA Electronics	
1:1.5 ±3%	34.4	2500	10 x 12.07 x 5.97		3.3 V → 3.3 V, 1A, SN6505A/B 5 V → 5 V, 1A, SN6505A/B	Yes	DA2303-AL	Coilcraft	
1:2.2 ±3%	21.5	2500	10 x 12.07 x 5.97	3.3 V → 5 V, 1A, SN6505A/B	DA2304-AL				

(1) For configurations with LDO, a higher voltage than the required output voltage is generated, to allow for LDO drop-out. Figures show the voltage and efficiency at the LDO input.

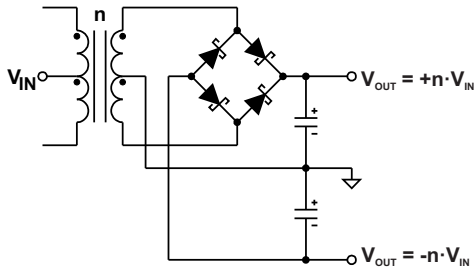
### 9.2.3 Application Curves

See the [Typical Characteristics, SN6505A](#) and [Typical Characteristics, SN6505B](#) for application curves with transformers optimized for the device, providing high efficiency and small form factor at low-cost.

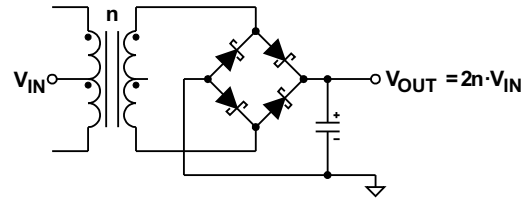
## 9.2.4 System Examples

### 9.2.4.1 Higher Output Voltage Designs

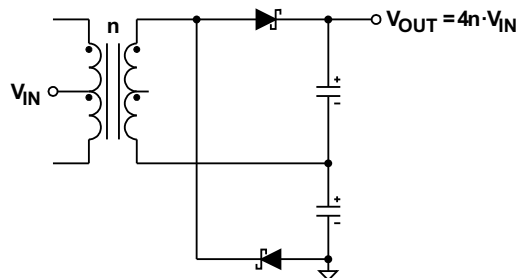
The device can drive push-pull converters that provide high output voltages of up to 30 V, or bipolar outputs of up to  $\pm 15$  V. Using commercially available center-tapped transformers, with their rather low turns ratios of 0.8 to 5, requires different rectifier topologies to achieve high output voltages. Figure 48 to Figure 50 show some of these topologies together with their respective open-circuit output voltages.



**Figure 48. Bridge Rectifier With Center-Tapped Secondary Enables Bipolar Outputs**



**Figure 49. Bridge Rectifier Without Center-Tapped Secondary Performs Voltage Doubling**



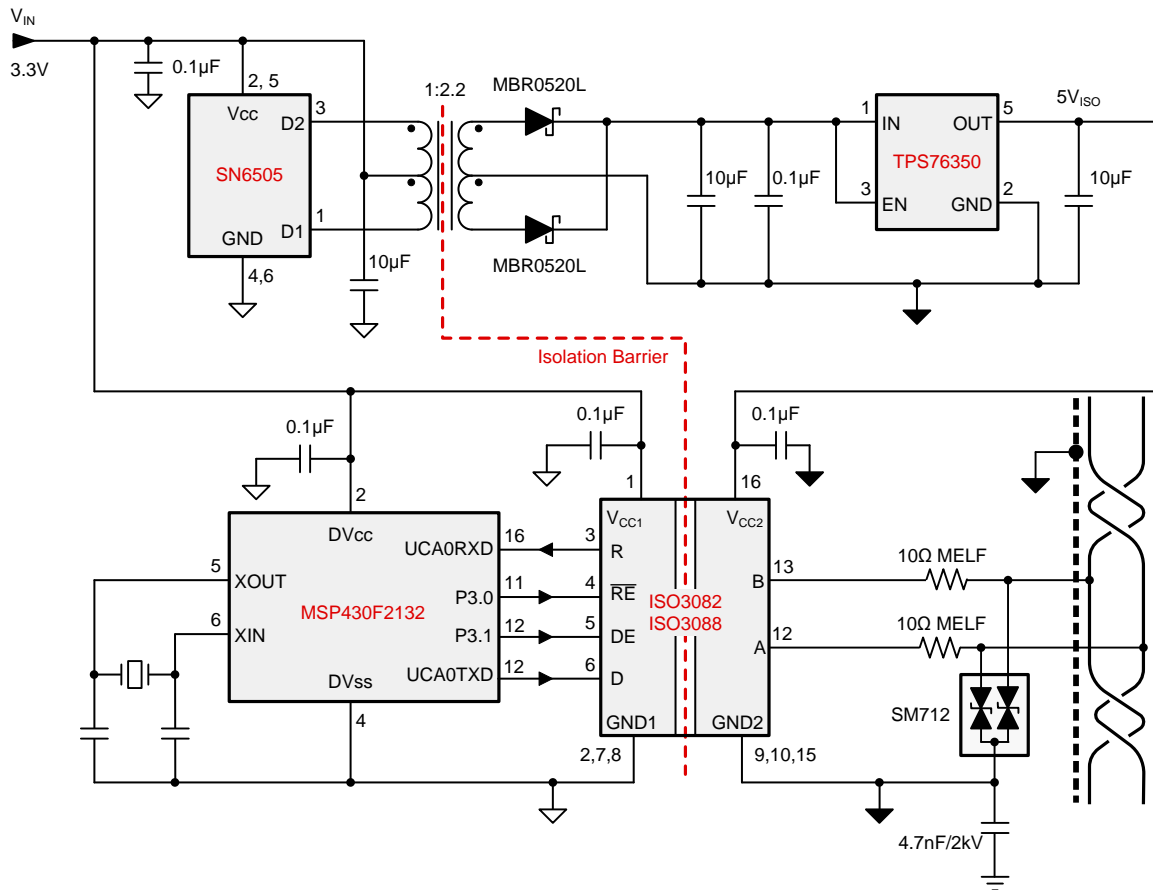
**Figure 50. Half-Wave Rectifier Without Centered Ground and Center-Tapped Secondary Performs Voltage Doubling Twice, Hence Quadrupling  $V_{IN}$**

### 9.2.4.2 Application Circuits

The following application circuits are shown for a 3.3 V input supply commonly taken from the local, regulated microcontroller supply. For 5 V input voltages requiring different turn ratios refer to the transformer manufacturers and their web sites listed in Table 4.

**Table 4. Transformer Manufacturers**

MANUFACTURER	MORE INFORMATION
Coilcraft Inc.	<a href="http://www.coilcraft.com">http://www.coilcraft.com</a>
Halo-Electronics Inc.	<a href="http://www.haloelectronics.com">http://www.haloelectronics.com</a>
Murata Power Solutions	<a href="http://www.murata-ps.com">http://www.murata-ps.com</a>
Würth Electronics Midcom Inc	<a href="http://www.midcom-inc.com">http://www.midcom-inc.com</a>



**Figure 51. Isolated RS-485 Interface**

## 10 Power Supply Recommendations

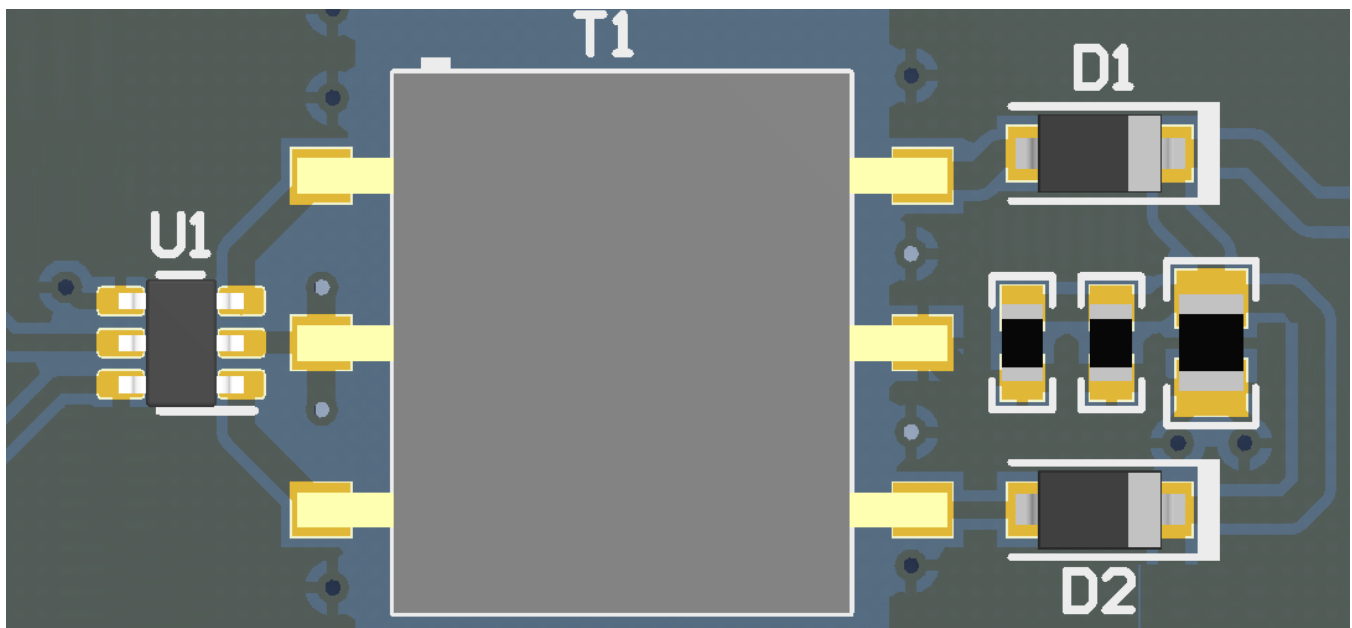
The device is designed to operate from an input voltage supply range between 2.5 V and 5 V nominal. This input supply must be regulated within  $\pm 10\%$ . If the input supply is located more than a few inches from the device, a 0.1  $\mu\text{F}$  by-pass capacitor should be connected as close as possible to the device  $V_{\text{CC}}$  pin and a 10  $\mu\text{F}$  capacitor should be connected close to the transformer center-tap pin.

## 11 Layout

### 11.1 Layout Guidelines

- The  $V_{\text{IN}}$  pin must be buffered to ground with a low-ESR ceramic bypass-capacitor. The recommended capacitor value can range from 1  $\mu\text{F}$  to 10  $\mu\text{F}$ . The capacitor must have a voltage rating of 10 V minimum and a X5R or X7R dielectric.
- The optimum placement is closest to the  $V_{\text{IN}}$  and GND pins at the board entrance to minimize the loop area formed by the bypass-capacitor connection, the  $V_{\text{IN}}$  terminal, and the GND pin. See [Figure 52](#) for a PCB layout example.
- The connections between the device D1 and D2 pins and the transformer primary endings, and the connection of the device  $V_{\text{CC}}$  pin and the transformer center-tap must be as close as possible for minimum trace inductance.
- The connection of the device  $V_{\text{CC}}$  pin and the transformer center-tap must be buffered to ground with a low-ESR ceramic bypass-capacitor. The recommended capacitor value can range from 1  $\mu\text{F}$  to 10  $\mu\text{F}$ . The capacitor must have a voltage rating of 16 V minimum and a X5R or X7R dielectric.
- The device GND pins must be tied to the PCB ground plane using two vias for minimum inductance.
- The ground connections of the capacitors and the ground plane should use two vias for minimum inductance.
- The rectifier diodes should be Schottky diodes with low forward voltage in the 10 mA to 100 mA current range to maximize efficiency.
- The  $V_{\text{OUT}}$  pin must be buffered to ISO-Ground with a low-ESR ceramic bypass-capacitor. The recommended capacitor value can range from 1  $\mu\text{F}$  to 10  $\mu\text{F}$ . The capacitor must have a voltage rating of 16 V minimum and a X5R or X7R dielectric.

### 11.2 Layout Example



**Figure 52. Layout Example of a 2-Layer Board**

## 12 Device and Documentation Support

### 12.1 Device Support

#### 12.1.1 Third-Party Products Disclaimer

TI'S PUBLICATION OF INFORMATION REGARDING THIRD-PARTY PRODUCTS OR SERVICES DOES NOT CONSTITUTE AN ENDORSEMENT REGARDING THE SUITABILITY OF SUCH PRODUCTS OR SERVICES OR A WARRANTY, REPRESENTATION OR ENDORSEMENT OF SUCH PRODUCTS OR SERVICES, EITHER ALONE OR IN COMBINATION WITH ANY TI PRODUCT OR SERVICE.

### 12.2 Documentation Support

#### 12.2.1 Related Documentation

For related documentation see the following:

- Texas Instruments, [Digital Isolator Design Guide](#)
- Texas Instruments, [Isolation Glossary](#)
- Texas Instruments, [How to Isolate Signal and Power in Isolated CAN Systems TI TechNote](#)
- Texas Instruments, [Small Form-Factor Reinforced Isolated IGBT Gate Drive Reference Design for 3-Phase Inverter TI Design](#)

### 12.3 Related Links

The table below lists quick access links. Categories include technical documents, support and community resources, tools and software, and quick access to order now.

**Table 5. Related Links**

PARTS	PRODUCT FOLDER	ORDER NOW	TECHNICAL DOCUMENTS	TOOLS & SOFTWARE	SUPPORT & COMMUNITY
SN6505A	<a href="#">Click here</a>	<a href="#">Click here</a>	<a href="#">Click here</a>	<a href="#">Click here</a>	<a href="#">Click here</a>
SN6505B	<a href="#">Click here</a>	<a href="#">Click here</a>	<a href="#">Click here</a>	<a href="#">Click here</a>	<a href="#">Click here</a>

### 12.4 Receiving Notification of Documentation Updates

To receive notification of documentation updates, navigate to the device product folder on ti.com. In the upper right corner, click on *Alert me* to register and receive a weekly digest of any product information that has changed. For change details, review the revision history included in any revised document.

### 12.5 Community Resources

The following links connect to TI community resources. Linked contents are provided "AS IS" by the respective contributors. They do not constitute TI specifications and do not necessarily reflect TI's views; see TI's [Terms of Use](#).

**TI E2E™ Online Community** *TI's Engineer-to-Engineer (E2E) Community*. Created to foster collaboration among engineers. At e2e.ti.com, you can ask questions, share knowledge, explore ideas and help solve problems with fellow engineers.

**Design Support** *TI's Design Support* Quickly find helpful E2E forums along with design support tools and contact information for technical support.

### 12.6 Trademarks

E2E is a trademark of Texas Instruments.

### 12.7 Electrostatic Discharge Caution



This integrated circuit can be damaged by ESD. Texas Instruments recommends that all integrated circuits be handled with appropriate precautions. Failure to observe proper handling and installation procedures can cause damage.

ESD damage can range from subtle performance degradation to complete device failure. Precision integrated circuits may be more susceptible to damage because very small parametric changes could cause the device not to meet its published specifications.

## 12.8 Glossary

[SLYZ022](#) — *TI Glossary*.

This glossary lists and explains terms, acronyms, and definitions.

## 13 Mechanical, Packaging, and Orderable Information

The following pages include mechanical, packaging, and orderable information. This information is the most current data available for the designated devices. This data is subject to change without notice and revision of this document. For browser-based versions of this data sheet, refer to the left-hand navigation.

**PACKAGING INFORMATION**

Orderable Device	Status (1)	Package Type	Package Drawing	Pins	Package Qty	Eco Plan (2)	Lead/Ball Finish (6)	MSL Peak Temp (3)	Op Temp (°C)	Device Marking (4/5)	Samples
SN6505ADBVR	ACTIVE	SOT-23	DBV	6	3000	Green (RoHS & no Sb/Br)	NIPDAU	Level-1-260C-UNLIM	-55 to 125	650A	<a href="#">Samples</a>
SN6505ADBVT	ACTIVE	SOT-23	DBV	6	250	Green (RoHS & no Sb/Br)	NIPDAU	Level-1-260C-UNLIM	-55 to 125	650A	<a href="#">Samples</a>
SN6505BDBVR	ACTIVE	SOT-23	DBV	6	3000	Green (RoHS & no Sb/Br)	NIPDAU	Level-1-260C-UNLIM	-55 to 125	650B	<a href="#">Samples</a>
SN6505BDBVT	ACTIVE	SOT-23	DBV	6	250	Green (RoHS & no Sb/Br)	NIPDAU	Level-1-260C-UNLIM	-55 to 125	650B	<a href="#">Samples</a>

(1) The marketing status values are defined as follows:

**ACTIVE:** Product device recommended for new designs.

**LIFEBUY:** TI has announced that the device will be discontinued, and a lifetime-buy period is in effect.

**NRND:** Not recommended for new designs. Device is in production to support existing customers, but TI does not recommend using this part in a new design.

**PREVIEW:** Device has been announced but is not in production. Samples may or may not be available.

**OBSELETE:** TI has discontinued the production of the device.

(2) **RoHS:** TI defines "RoHS" to mean semiconductor products that are compliant with the current EU RoHS requirements for all 10 RoHS substances, including the requirement that RoHS substance do not exceed 0.1% by weight in homogeneous materials. Where designed to be soldered at high temperatures, "RoHS" products are suitable for use in specified lead-free processes. TI may reference these types of products as "Pb-Free".

**RoHS Exempt:** TI defines "RoHS Exempt" to mean products that contain lead but are compliant with EU RoHS pursuant to a specific EU RoHS exemption.

**Green:** TI defines "Green" to mean the content of Chlorine (Cl) and Bromine (Br) based flame retardants meet JS709B low halogen requirements of <=1000ppm threshold. Antimony trioxide based flame retardants must also meet the <=1000ppm threshold requirement.

(3) MSL, Peak Temp. - The Moisture Sensitivity Level rating according to the JEDEC industry standard classifications, and peak solder temperature.

(4) There may be additional marking, which relates to the logo, the lot trace code information, or the environmental category on the device.

(5) Multiple Device Markings will be inside parentheses. Only one Device Marking contained in parentheses and separated by a "-" will appear on a device. If a line is indented then it is a continuation of the previous line and the two combined represent the entire Device Marking for that device.

(6) Lead/Ball Finish - Orderable Devices may have multiple material finish options. Finish options are separated by a vertical ruled line. Lead/Ball Finish values may wrap to two lines if the finish value exceeds the maximum column width.

**Important Information and Disclaimer:**The information provided on this page represents TI's knowledge and belief as of the date that it is provided. TI bases its knowledge and belief on information provided by third parties, and makes no representation or warranty as to the accuracy of such information. Efforts are underway to better integrate information from third parties. TI has taken and

continues to take reasonable steps to provide representative and accurate information but may not have conducted destructive testing or chemical analysis on incoming materials and chemicals. TI and TI suppliers consider certain information to be proprietary, and thus CAS numbers and other limited information may not be available for release.

In no event shall TI's liability arising out of such information exceed the total purchase price of the TI part(s) at issue in this document sold by TI to Customer on an annual basis.

**OTHER QUALIFIED VERSIONS OF SN6505A, SN6505B :**

- Automotive: [SN6505A-Q1](#), [SN6505B-Q1](#)

**NOTE: Qualified Version Definitions:**

- Automotive - Q100 devices qualified for high-reliability automotive applications targeting zero defects



**TAPE AND REEL INFORMATION**

**QUADRANT ASSIGNMENTS FOR PIN 1 ORIENTATION IN TAPE**


\*All dimensions are nominal

Device	Package Type	Package Drawing	Pins	SPQ	Reel Diameter (mm)	Reel Width W1 (mm)	A0 (mm)	B0 (mm)	K0 (mm)	P1 (mm)	W (mm)	Pin1 Quadrant
SN6505ADBVR	SOT-23	DBV	6	3000	178.0	9.0	3.23	3.17	1.37	4.0	8.0	Q3
SN6505ADBVT	SOT-23	DBV	6	250	178.0	9.0	3.23	3.17	1.37	4.0	8.0	Q3
SN6505BDBVR	SOT-23	DBV	6	3000	178.0	9.0	3.23	3.17	1.37	4.0	8.0	Q3
SN6505BDBVT	SOT-23	DBV	6	250	178.0	9.0	3.23	3.17	1.37	4.0	8.0	Q3

**TAPE AND REEL BOX DIMENSIONS**


\*All dimensions are nominal

Device	Package Type	Package Drawing	Pins	SPQ	Length (mm)	Width (mm)	Height (mm)
SN6505ADBVR	SOT-23	DBV	6	3000	180.0	180.0	18.0
SN6505ADBVT	SOT-23	DBV	6	250	180.0	180.0	18.0
SN6505BDBVR	SOT-23	DBV	6	3000	180.0	180.0	18.0
SN6505BDBVT	SOT-23	DBV	6	250	180.0	180.0	18.0

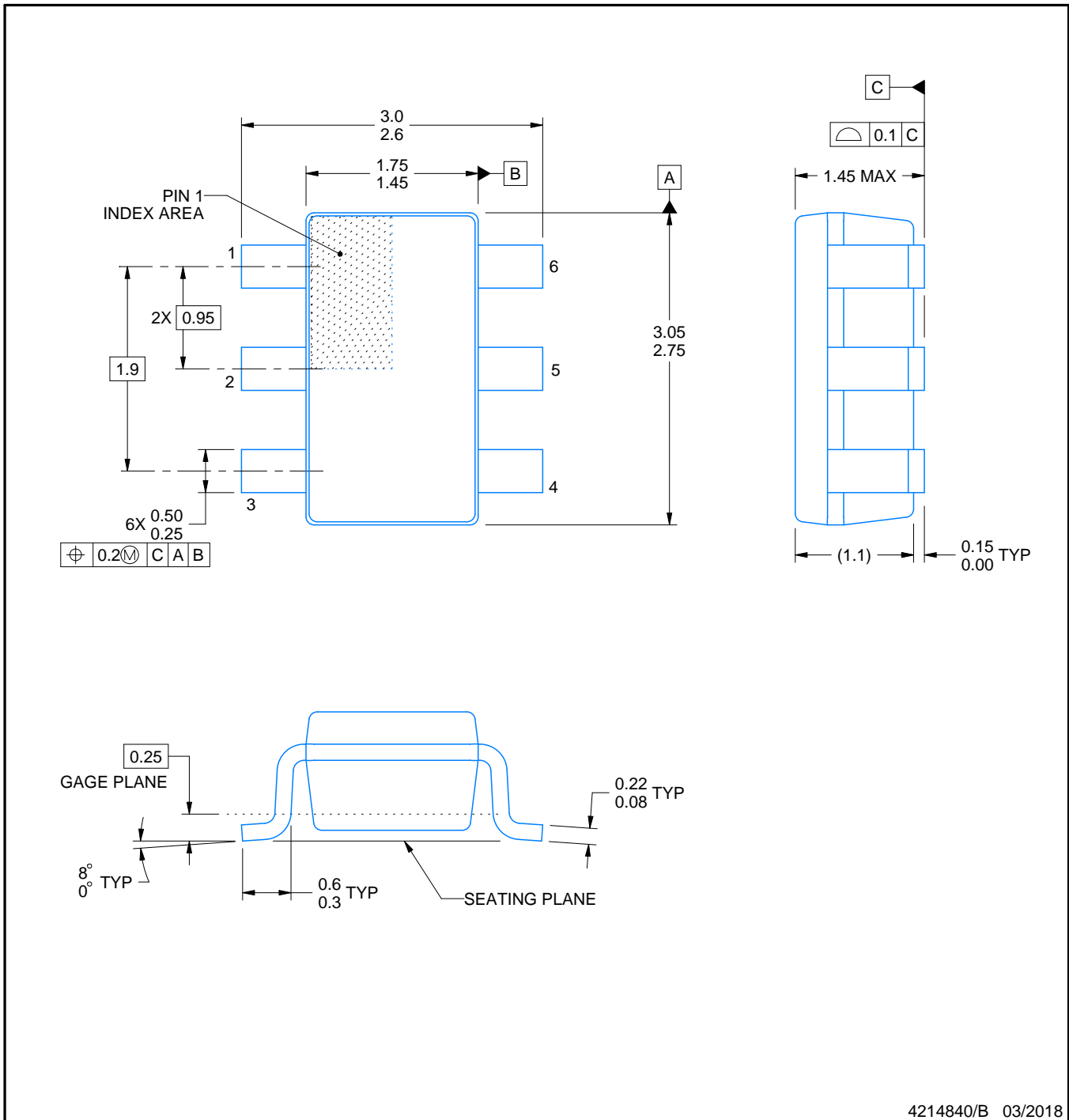
DBV0006A



# PACKAGE OUTLINE

SOT-23 - 1.45 mm max height

SMALL OUTLINE TRANSISTOR



4214840/B 03/2018

NOTES:

1. All linear dimensions are in millimeters. Any dimensions in parenthesis are for reference only. Dimensioning and tolerancing per ASME Y14.5M.
2. This drawing is subject to change without notice.
3. Body dimensions do not include mold flash or protrusion. Mold flash and protrusion shall not exceed 0.15 per side.
4. Leads 1,2,3 may be wider than leads 4,5,6 for package orientation.
5. Reference JEDEC MO-178.

# EXAMPLE BOARD LAYOUT

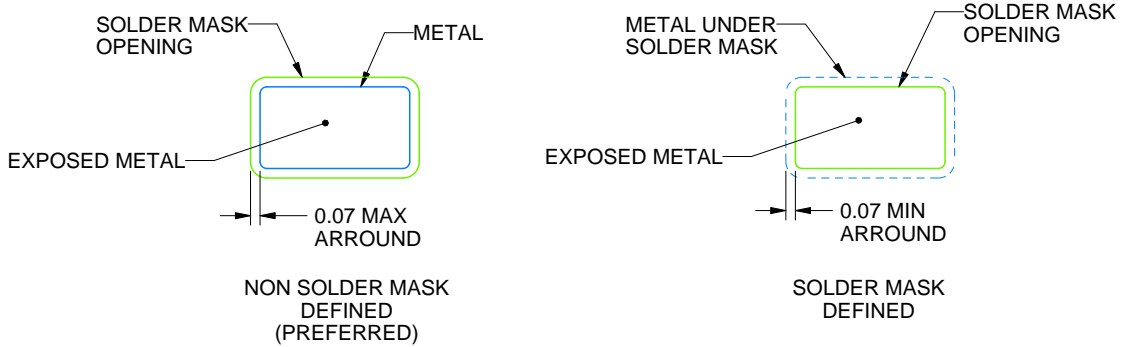
DBV0006A

SOT-23 - 1.45 mm max height

SMALL OUTLINE TRANSISTOR



LAND PATTERN EXAMPLE  
EXPOSED METAL SHOWN  
SCALE:15X



SOLDER MASK DETAILS

4214840/B 03/2018

NOTES: (continued)

6. Publication IPC-7351 may have alternate designs.

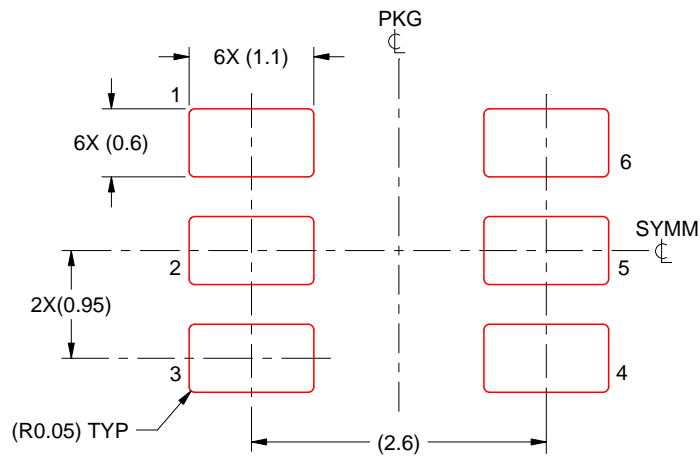
7. Solder mask tolerances between and around signal pads can vary based on board fabrication site.

# EXAMPLE STENCIL DESIGN

DBV0006A

SOT-23 - 1.45 mm max height

SMALL OUTLINE TRANSISTOR



SOLDER PASTE EXAMPLE  
BASED ON 0.125 mm THICK STENCIL  
SCALE:15X

4214840/B 03/2018

NOTES: (continued)

8. Laser cutting apertures with trapezoidal walls and rounded corners may offer better paste release. IPC-7525 may have alternate design recommendations.
9. Board assembly site may have different recommendations for stencil design.

## IMPORTANT NOTICE AND DISCLAIMER

TI PROVIDES TECHNICAL AND RELIABILITY DATA (INCLUDING DATASHEETS), DESIGN RESOURCES (INCLUDING REFERENCE DESIGNS), APPLICATION OR OTHER DESIGN ADVICE, WEB TOOLS, SAFETY INFORMATION, AND OTHER RESOURCES "AS IS" AND WITH ALL FAULTS, AND DISCLAIMS ALL WARRANTIES, EXPRESS AND IMPLIED, INCLUDING WITHOUT LIMITATION ANY IMPLIED WARRANTIES OF MERCHANTABILITY, FITNESS FOR A PARTICULAR PURPOSE OR NON-INFRINGEMENT OF THIRD PARTY INTELLECTUAL PROPERTY RIGHTS.

These resources are intended for skilled developers designing with TI products. You are solely responsible for (1) selecting the appropriate TI products for your application, (2) designing, validating and testing your application, and (3) ensuring your application meets applicable standards, and any other safety, security, or other requirements. These resources are subject to change without notice. TI grants you permission to use these resources only for development of an application that uses the TI products described in the resource. Other reproduction and display of these resources is prohibited. No license is granted to any other TI intellectual property right or to any third party intellectual property right. TI disclaims responsibility for, and you will fully indemnify TI and its representatives against, any claims, damages, costs, losses, and liabilities arising out of your use of these resources.

TI's products are provided subject to TI's Terms of Sale ([www.ti.com/legal/termsofsale.html](http://www.ti.com/legal/termsofsale.html)) or other applicable terms available either on [ti.com](http://ti.com) or provided in conjunction with such TI products. TI's provision of these resources does not expand or otherwise alter TI's applicable warranties or warranty disclaimers for TI products.

Mailing Address: Texas Instruments, Post Office Box 655303, Dallas, Texas 75265  
Copyright © 2020, Texas Instruments Incorporated