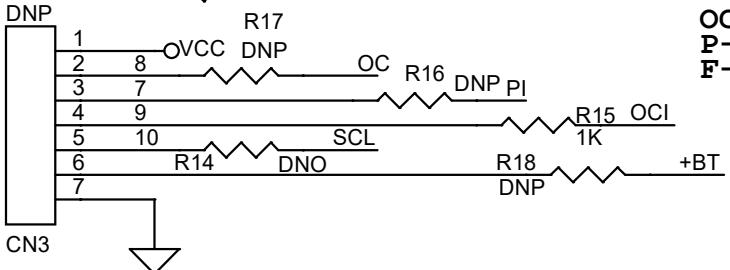
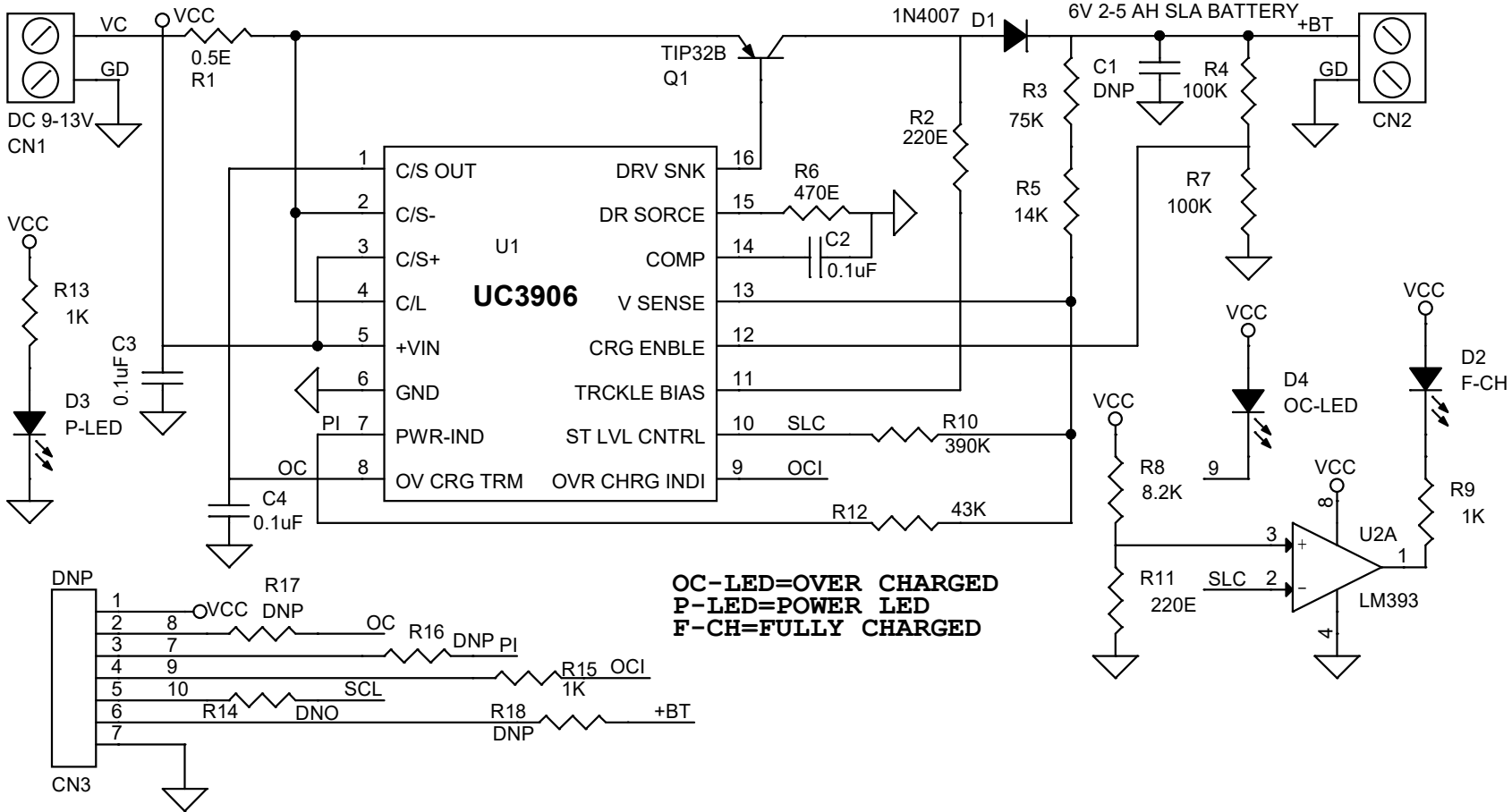


9V to 13V DC @ 1Amp



**OC-LED=OVER CHARGED
 P-LED=POWER LED
 F-CH=FULLY CHARGED**