

Up to 1 A switching regulator with adjustable current limit

Features

- Up to 1 A output current
- Operating input voltage from 8 V to 36 V
- Precise 3.3 V ($\pm 2\%$) reference voltage
- 5 % output current accuracy
- Output voltage adjustable from 1.235 V to 34 V
- 250 kHz internally fixed frequency
- Voltage feedforward
- Zero load current operation
- Adjustable current limit
- Protection against feedback Disconnection
- Thermal shutdown

Applications

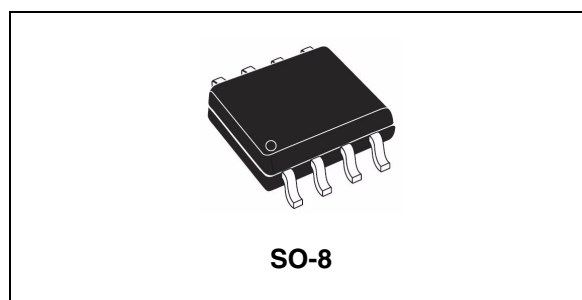
- Chargers for NiCd, NiMH batteries and preregulator for lithium-ion batteries
- Adjustable current generator
- Simple step-down converters with adjustable current limit
- Battery equipped systems
- Distributed power supply
- Mobile PC and subnotebook

Description

The L6902D is a complete and simple step down switching regulator with adjustable current limit.

Based on a voltage mode structure it integrates a current error amplifier to have a constant voltage and constant current control.

By means of an on board current sense resistor and the availability of the current sense pins (both compatible to Vcc and for Cs- compatible with GND too) a current limit programming is very simple and accurate ($\pm 5\%$). Moreover constant



current control can be used to charge NiMH and NiCd batteries.

The device can be used as a standard DC/DC converter with adjustable current limit (set by using the external sense resistor).

The internal robust P-channel DMOS transistor with a typical of 250 m Ω assures high efficiency and a minimum dropout even at high output current level. The internal limiting current (latched function) of typical value of 2.5 A protects the device from accidental output short circuit avoiding dangerous loads damage.

If the temperature of the chip goes higher than a fixed internal threshold (150°C with 20°C hysteresis), the power stage is turned off.

Other protections beside thermal shutdown complete the device for a safe and reliable application: overvoltage protection, frequency folback overcurrent protection and protection vs. feedback disconnection.

The internal fixed switching frequency of 250KHz, and the SO-8 package pin allow to built an ultra compact DC/ DC converter with a minimum board space.

Table 1. Device summary

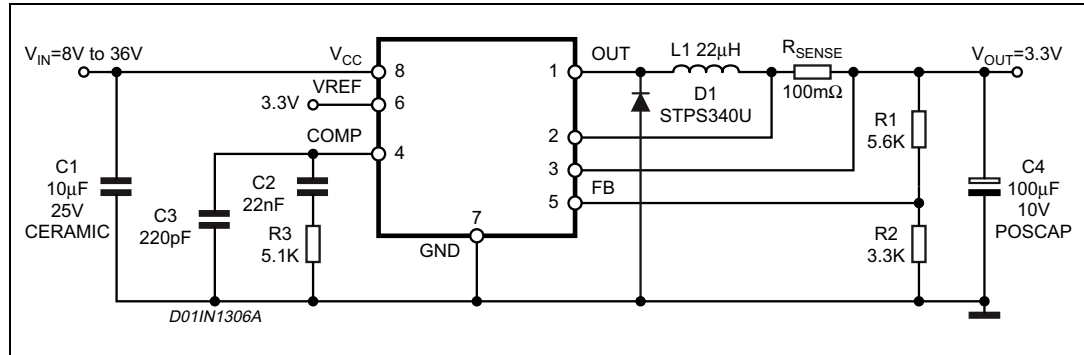
Order codes	Package	Packaging
L6902D	SO-8	Tube
L6902D013TR		Tape and reel

Content

1	Test and application circuit	3
2	Pin connection	3
3	Maximum ratings	4
4	Internal block diagram	5
5	Electrical characteristics	6
6	Package mechanical data	8
7	Revision history	10

1 Test and application circuit

Figure 1. Test and application circuit



2 Pin connection

Figure 2. Pin connection

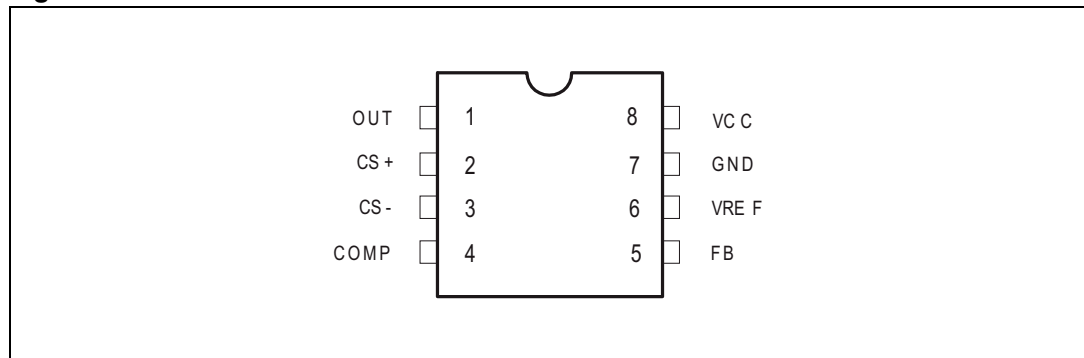


Table 2. Pin description

N°	Pin	Function
1	OUT	Regular output
2	CS+	Current error amplifier input (current sense at higher voltage)
3	CS-	Current error amplifier input (current sense at lower voltage)
4	COMP	E/A output to be used for frequency compensation
5	FB	Stepdown feedback input. Connecting directly to this pin results in an output voltage of 1.235 V. An external resistive divider is required for higher output voltages. In this case: $V_{out} = V_{FB} \cdot \left(1 + \frac{R1}{R2}\right) = 1.235V \left(1 + \frac{R1}{R2}\right)$
6	VREF	3.3 V VREF. No cap is need for stability.
7	GND	Ground
8	VCC	Unregulated DC input voltage.

3 Maximum ratings

Table 3. Absolute maximum ratings

Symbol	Parameter	Value	Unit
V_8	Input voltage	40	V
V_1	Output DC voltage output peak voltage at $t = 0.1 \mu\text{s}$	-1 to 40 -5 to 40	V V
I_1	Maximum output current	Internally limited	
V_4, V_5	Analog pins	4	V
V_2, V_3	Analog pins	-0.3V to VCC	V
P_{tot}	Power dissipation at $T_{\text{amb}} \leq 70 \text{ }^\circ\text{C}$	0.7	W
T_j	Operating junction temperature range	-40 to 150	$^\circ\text{C}$
T_{stg}	Storage temperature range	-55 to 150	$^\circ\text{C}$

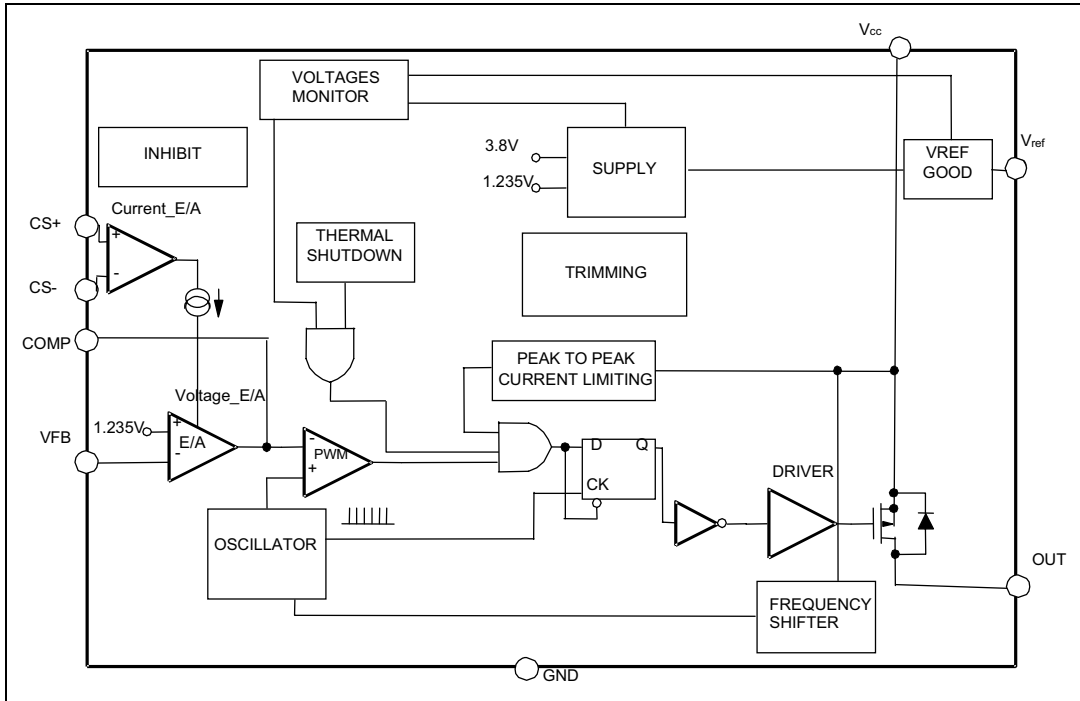
Table 4. Thermal data

Symbol	Parameter	Value	Unit
$R_{\text{th j-amb}}$	Thermal Resistance Junction to Ambient Max.	110 ⁽¹⁾	$^\circ\text{C/W}$

1. Package mounted on board.

4 Internal block diagram

Figure 3. Block diagram



5 Electrical characteristics

$T_j = 25^\circ\text{C}$, $V_{CC} = 12\text{V}$, unless otherwise specified.

Table 5. Electrical characteristics

Symbol	Parameter	Test condition	Min.	Typ.	Max.	Unit	
V_{CC}	Operating input voltage range	$V_O = 1.235\text{V}$; $I_O = 1\text{A}$	8		36	V	
V_d	Dropout voltage	$V_{CC} = 8\text{V}$; $I_O = 1\text{A}$		0.25	0.5	V	
I_O	Operating charging current	$R_{\text{sense}} = 0.1\Omega$		0.95	1	1.05	A
			(1)	0.92		1.08	A
I_l	Maximum limiting current	$V_{CC} = 8\text{V to } 36\text{V}$	2	2.5	3.2	A	
f_s	Switching frequency		(1)	212	250	287	kHz
				225	250	275	kHz
d	Duty cycle		0		100	%	
Dynamic characteristics							
V_5	Voltage feedback (FB)	$8\text{V} < V_{CC} < 36\text{V}$, $20\text{mA} < I_O < 1\text{A}$		1.21	1.235	1.259	V
			(1)	1.198	1.235	1.272	V
η	Efficiency	$V_O = 5\text{V}$, $V_{CC} = 12\text{V}$		90		%	
DC characteristics							
I_{qop}	Total operating quiescent current		(1)		3	5	mA
I_q	Quiescent current	Duty cycle = 0; $V_{FB} = 1.5\text{V}$			3		mA
Voltage error amplifier							
V_{OH}	High level output voltage	$V_{FB} = 1\text{V}$		3.6			V
V_{OL}	Low level output voltage	$V_{FB} = 1.5$			0.4		V
$I_{O \text{ source}}$	Source output current	$V_{\text{comp}} = 1.9\text{V}$; $V_{FB} = 1\text{V}$		200	300		μA
$I_{O \text{ sink}}$	Sink output current	$V_{\text{comp}} = 1.9\text{V}$; $V_{FB} = 1.5\text{V}$		1	1.5		mA
I_b	Source bias current			2.5	4		μA
	DC open loop gain	$R_L = 0$		50	58		dB
g_m	Transconductance	$I_{\text{comp}} = -0.1 \text{ to } 0.1\text{mA}$, $V_{\text{comp}} = 1.9\text{V}$			2.3		mS
Current error amplifier							
V_{offs}	Input offset voltage	$V_{CS-} = 1.8\text{V}$; $V_{CS+} = V_{\text{comp}}$		95	100	105	mV
I_{CS+}	CS+ output current	$I_O = 1\text{A}$, $R_{\text{sense}} = 100\text{m}\Omega$, $V_{\text{out}} < V_{CC} - 2\text{V}$			1.5	3	μA
I_{CS-}	CS- output current	$I_O = 1\text{A}$, $R_{\text{sense}} = 100\text{m}\Omega$, $V_{\text{out}} < V_{CC} - 2\text{V}$			1.5	3	μA

Table 5. Electrical characteristics (continued)

Symbol	Parameter	Test condition	Min.	Typ.	Max.	Unit
Reference section						
	Reference voltage		3.234	3.3	3.366	V
		$I_{REF} = 0 \text{ to } 5\text{mA}$ $V_{CC} = 8\text{V to } 36\text{V}$	⁽¹⁾ 3.2	3.3	3.399	V
	Line regulation	$I_{REF} = 0\text{mA}$, $V_{CC} = 8\text{V to } 36\text{V}$		5	10	mV
	Load regulation	$I_{REF} = 0 \text{ to } 5 \text{ mA}$		8	15	mV
	Short circuit current		10			mA

1. Specification Referred to T_J from -40 to 125°C. Specification over the -40 to +125 T_J Temperature range are assured by design, characterization and statistical correlation

6 Package mechanical data

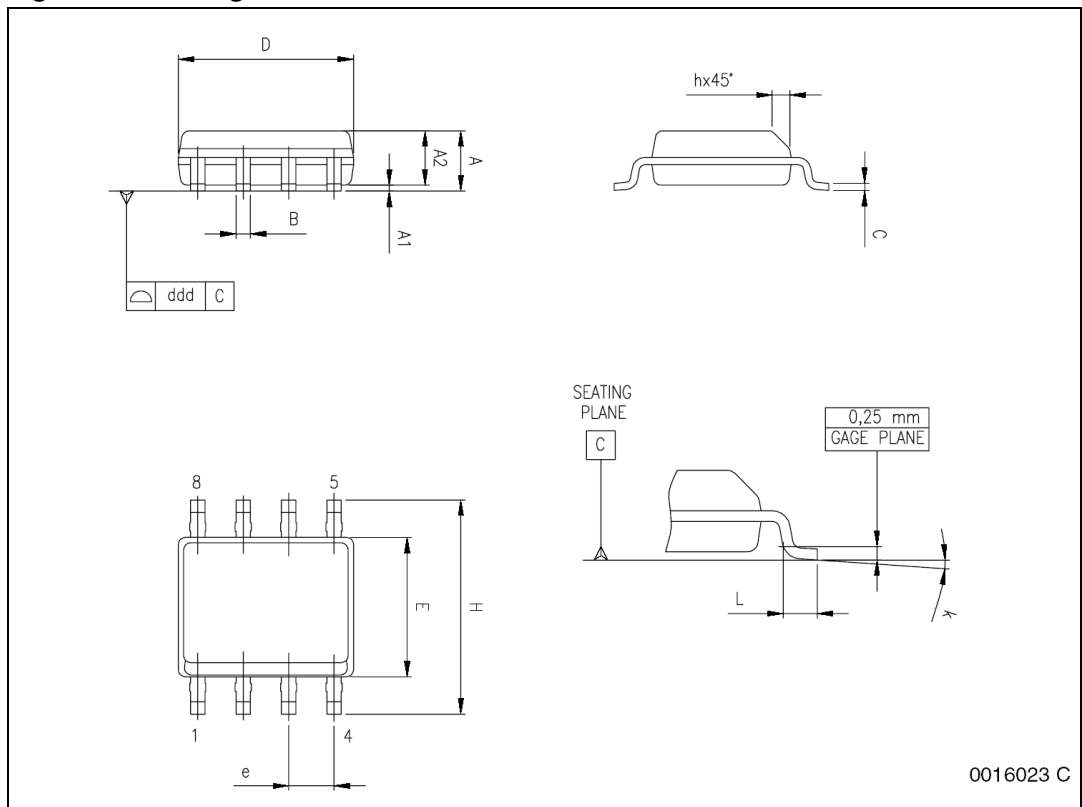
In order to meet environmental requirements, ST offers these devices in different grades of ECOPACK® packages, depending on their level of environmental compliance. ECOPACK® specifications, grade definitions and product status are available at: www.st.com. ECOPACK is an ST trademark.

Table 1. SO-8 mechanical data

Dim.	mm.			inch		
	Min	Typ	Max	Min	Typ	Max
A	1.35		1.75	0.053		0.069
A1	0.10		0.25	0.004		0.010
A2	1.10		1.65	0.043		0.065
B	0.33		0.51	0.013		0.020
C	0.19		0.25	0.007		0.010
D ⁽¹⁾	4.80		5.00	0.189		0.197
E	3.80		4.00	0.15		0.157
e		1.27			0.050	
H	5.80		6.20	0.228		0.244
h	0.25		0.50	0.010		0.020
L	0.40		1.27	0.016		0.050
k	0° (min.), 8° (max.)					
ddd			0.10			0.004

1. Dimensions D does not include mold flash, protrusions or gate burrs. Mold flash, protrusions or gate burrs shall not exceed 0.15mm (.006inch) in total (both side).

Figure 4. Package dimensions



7 Revision history

Table 6. Document revision history

Date	Revision	Changes
January 2004	7	Technical migration from ST-PRESS to EDOCS.
October 2004	8	Changed style look and feel.
26-Nov-2010	9	Updated Note 1 on page 7

Please Read Carefully:

Information in this document is provided solely in connection with ST products. STMicroelectronics NV and its subsidiaries ("ST") reserve the right to make changes, corrections, modifications or improvements, to this document, and the products and services described herein at any time, without notice.

All ST products are sold pursuant to ST's terms and conditions of sale.

Purchasers are solely responsible for the choice, selection and use of the ST products and services described herein, and ST assumes no liability whatsoever relating to the choice, selection or use of the ST products and services described herein.

No license, express or implied, by estoppel or otherwise, to any intellectual property rights is granted under this document. If any part of this document refers to any third party products or services it shall not be deemed a license grant by ST for the use of such third party products or services, or any intellectual property contained therein or considered as a warranty covering the use in any manner whatsoever of such third party products or services or any intellectual property contained therein.

UNLESS OTHERWISE SET FORTH IN ST'S TERMS AND CONDITIONS OF SALE ST DISCLAIMS ANY EXPRESS OR IMPLIED WARRANTY WITH RESPECT TO THE USE AND/OR SALE OF ST PRODUCTS INCLUDING WITHOUT LIMITATION IMPLIED WARRANTIES OF MERCHANTABILITY, FITNESS FOR A PARTICULAR PURPOSE (AND THEIR EQUIVALENTS UNDER THE LAWS OF ANY JURISDICTION), OR INFRINGEMENT OF ANY PATENT, COPYRIGHT OR OTHER INTELLECTUAL PROPERTY RIGHT.

UNLESS EXPRESSLY APPROVED IN WRITING BY AN AUTHORIZED ST REPRESENTATIVE, ST PRODUCTS ARE NOT RECOMMENDED, AUTHORIZED OR WARRANTED FOR USE IN MILITARY, AIR CRAFT, SPACE, LIFE SAVING, OR LIFE SUSTAINING APPLICATIONS, NOR IN PRODUCTS OR SYSTEMS WHERE FAILURE OR MALFUNCTION MAY RESULT IN PERSONAL INJURY, DEATH, OR SEVERE PROPERTY OR ENVIRONMENTAL DAMAGE. ST PRODUCTS WHICH ARE NOT SPECIFIED AS "AUTOMOTIVE GRADE" MAY ONLY BE USED IN AUTOMOTIVE APPLICATIONS AT USER'S OWN RISK.

Resale of ST products with provisions different from the statements and/or technical features set forth in this document shall immediately void any warranty granted by ST for the ST product or service described herein and shall not create or extend in any manner whatsoever, any liability of ST.

ST and the ST logo are trademarks or registered trademarks of ST in various countries.

Information in this document supersedes and replaces all information previously supplied.

The ST logo is a registered trademark of STMicroelectronics. All other names are the property of their respective owners.

© 2010 STMicroelectronics - All rights reserved

STMicroelectronics group of companies

Australia - Belgium - Brazil - Canada - China - Czech Republic - Finland - France - Germany - Hong Kong - India - Israel - Italy - Japan - Malaysia - Malta - Morocco - Philippines - Singapore - Spain - Sweden - Switzerland - United Kingdom - United States of America

www.st.com

Mouser Electronics

Authorized Distributor

Click to View Pricing, Inventory, Delivery & Lifecycle Information:

[STMicroelectronics:](#)

[L6902D](#) [L6902D013TR](#)