

### DESCRIPTION

The MPQ6610 is a half-bridge driver with current measurement and regulation features. It can operate from a 4V to 55V supply voltage, and can deliver up to 3A of output current (depending on the package, PCB design, and ambient temperature). The MPQ6610 can be used to drive brushed DC motors, solenoids, or other loads.

An internal current-sense circuit provides an output with a voltage that is proportional to the load current. Cycle-by-cycle current regulation and limiting are also provided. These features do not require the use of a low-Ohmic shunt resistor.

Internal diagnostic and protection features include open-load detection, over-current protection (OCP), under-voltage lockout (UVLO), and thermal shutdown.

The MPQ6610 is available in 8-pin TSOT23 and SOIC-8 packages. Note that due to the small pin spacing, the TSOT23 package is only recommended for applications up to 45V, unless conformal coating or encapsulation is used.

### FEATURES

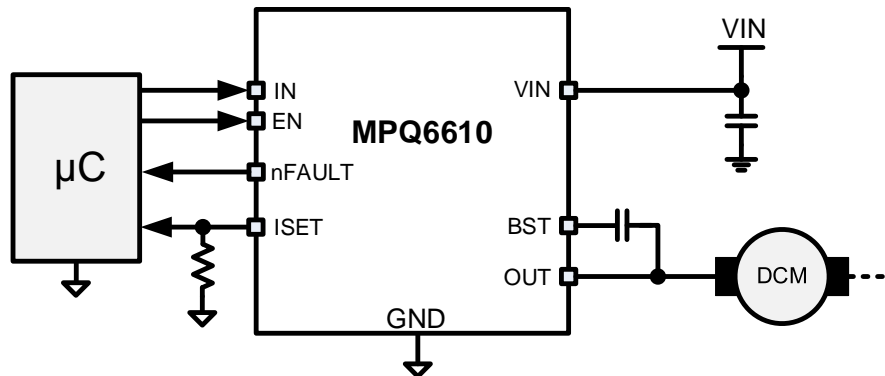
- Wide 4V to 55V Input Voltage Range
- 3A Maximum Output Current
- Internal Half-Bridge Driver
- Cycle-by-Cycle Current Regulation/Limiting
- Low On Resistance (High Side: 100mΩ, Low Side: 120mΩ)
- No Control Power Supply Required
- Simple, Versatile Logic Interfaces
- Inputs Compatible with 2.5V, 3.3V, and 5V Logic
- Over-Current Protection (OCP)
- Open-Load Detection
- Thermal Shutdown
- Under-Voltage Lockout (UVLO)
- Fault Indication Output
- Thermally Enhanced Package
- Available in TSOT23 and SOIC-8 Packages
- Available in AEC-Q100 Grade 1

### APPLICATIONS

- Solenoid Drivers
- Relay Drivers
- Brushed DC Motor Drivers

All MPS parts are lead-free, halogen-free, and adhere to the RoHS directive. For MPS green status, please visit the MPS website under Quality Assurance. "MPS", the MPS logo, and "Simple, Easy Solutions" are trademarks of Monolithic Power Systems, Inc. or its subsidiaries.

### TYPICAL APPLICATION



### ORDERING INFORMATION

Part Number*	Package	Top Marking	MSL Rating
MPQ6610GJ-AEC1*	TSOT23-8	See Below	1
MPQ6610GS-AEC1**	SOIC-8	See Below	

\* For Tape & Reel, add suffix -Z (e.g. MPQ6610GJ-AEC1-Z).

\*\* For Tape & Reel, add suffix -Z (e.g. MPQ6610GS-AEC1-Z).

### TOP MARKING (MPQ6610GJ-AEC1)

**| AVRY**

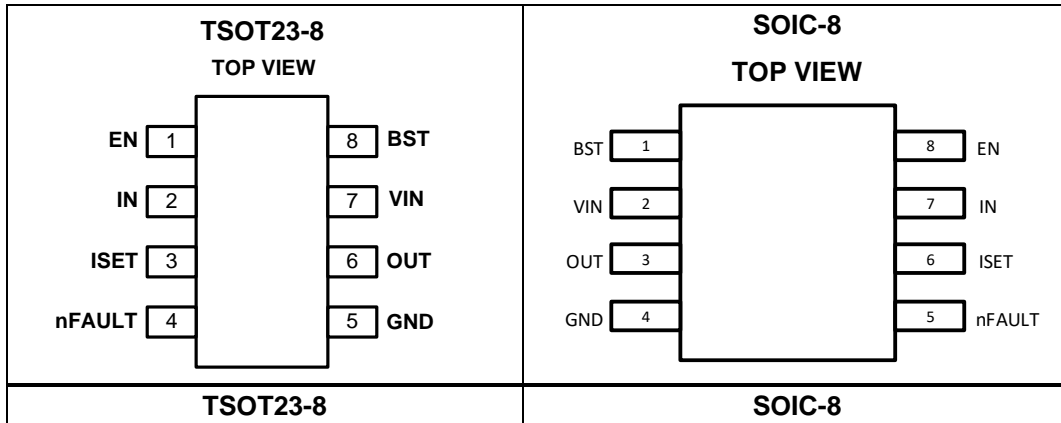
AVR: Product code of MPQ6610GJ-AEC1  
 Y: Year code

### TOP MARKING (MPQ6610GS-AEC1)

**MP6610**  
**LLLLLLLL**  
**MPSYWW**

MP6610: Part number  
 LLLLLLLL: Lot number  
 MPS: MPS prefix  
 Y: Year code  
 WW: Week code

### PACKAGE REFERENCE



## PIN FUNCTIONS

Pin # (TSOT23)	Pin # (SOIC-8)	Name	Description
1	8	EN	<b>H-bridge enable input.</b> Drive EN high to enable the half-bridge driver. The EN pin is pulled down with an internal resistor.
2	7	IN	<b>H-bridge input pin.</b> Drive IN high to drive the output high. The IN pin is pulled down with an internal resistor.
3	6	ISET	<b>Current configuration resistor.</b> Connect a resistor from ISET to ground to set the current limit and ISET pin voltage scaling.
4	5	nFAULT	<b>Fault indication.</b> The nFAULT pin is an open drain. It is logic low if a fault condition (e.g. over-current protection [OCP], over-temperature protection [OTP], or open load) occurs.
5	4	GND	<b>System ground connection.</b>
6	3	OUT	<b>Output terminal.</b>
7	2	VIN	<b>Input supply voltage.</b> Decouple VIN to GND with a minimum 100nF ceramic capacitor.
8	1	BST	<b>Bootstrap pin.</b> Connect a 100nF capacitor to the BST and OUT pins.

### ABSOLUTE MAXIMUM RATINGS <sup>(1)</sup>

Supply voltage ( $V_{IN}$ )	-0.3V to +65V
OUT voltage ( $V_{OUT}$ )	-0.7V to +65V
BST	$V_{IN}$ to $V_{IN} + 5.7V$
ISET	-0.3V to +5.5V
All other pins to GND	-0.3V to +6.5V
Continuous power dissipation ( $T_A = 25^\circ C$ ) <sup>(2)</sup>	
TSOT23 package	1.25W
SOIC package	1.302W
Storage temperature	-55°C to +150°C
Junction temperature	150°C
Lead temperature (solder)	260°C

### ESD Ratings

Human body model (HBM)	2kV
Charged device model (CDM)	±750V

### Recommended Operating Conditions <sup>(3)</sup>

Supply voltage ( $V_{IN}$ ) (SOIC)	4V to 55V
Supply voltage ( $V_{IN}$ ) (SOT23)	4V to 45V
Output current ( $I_{OUT}$ )	±3A
Operating junction temp ( $T_J$ )	-40°C to +125°C

### Thermal Resistance <sup>(4)</sup>

	$\theta_{JA}$	$\theta_{JC}$
TSOT23 package	100	55
SOIC package	96	45

#### Notes:

- Exceeding these ratings may damage the device.
- The maximum allowable power dissipation is a function of the maximum junction temperature,  $T_J$  (MAX), the junction-to-ambient thermal resistance,  $\theta_{JA}$ , and the ambient temperature,  $T_A$ . The maximum allowable continuous power dissipation at any ambient temperature is calculated by  $P_D$  (MAX) =  $(T_J$  (MAX) -  $T_A$ ) /  $\theta_{JA}$ . Exceeding the maximum allowable power dissipation can cause excessive die temperature, and the regulator may go into thermal shutdown. Internal thermal shutdown circuitry protects the device from permanent damage.
- The device is not guaranteed to function outside of its operating conditions.
- Measured on JESD51-7, 4-layer PCB.

## ELECTRICAL CHARACTERISTICS

$V_{IN} = 24V$ ,  $T_A = -40^{\circ}C$  to  $+125^{\circ}C$ , unless otherwise noted.

Parameter	Symbol	Condition	Min	Typ	Max	Units
<b>Power Supply</b>						
Input supply voltage	$V_{IN}$	SOIC-8 package	4		55	V
		TSOT23 package	4		45	
Quiescent current	$I_Q$	$V_{IN} = 24V$ , $EN = 0$ , no load current		1.3	5	mA
<b>Internal MOSFETs</b>						
Output on resistance	$R_{HS}$	$V_{IN} = 24V$ , $I_{OUT} = 1A$ , $T_J = 25^{\circ}C$		100	120	m $\Omega$
		$V_{IN} = 24V$ , $I_{OUT} = 1A$ , $T_J = 125^{\circ}C$		120	200	m $\Omega$
	$R_{LS}$	$V_{IN} = 24V$ , $I_{OUT} = 1A$ , $T_J = 25^{\circ}C$		120	150	m $\Omega$
		$V_{IN} = 24V$ , $I_{OUT} = 1A$ , $T_J = 125^{\circ}C$		150	256	m $\Omega$
Body diode forward voltage	$V_F$	$I_{OUT} = 1A$			1.1	V
<b>Control Logic</b>						
Input logic low threshold	$V_{IL}$				0.8	V
Input logic high threshold	$V_{IH}$		2			V
Logic input current	$I_{IN(H)}$	$V_{IH} = 5V$	6		14	$\mu A$
	$I_{IN(L)}$	$V_{IL} = 0.8V$			4	$\mu A$
Internal pull-down resistance	$R_{PD}$			530		k $\Omega$
<b>nFault Output (Open-Drain Output)</b>						
Output low voltage	$V_{OL}$	$I_{OUT} = 5mA$			0.8	V
Output high leakage current	$I_{OH}$	$V_{OUT} = 3.3V$			1	$\mu A$
<b>Protection Circuits</b>						
UVLO rising threshold	$V_{UV\_RISE}$				4.1	V
UVLO hysteresis	$V_{UV\_HYS}$			300		mV
OVP rising threshold	$V_{OV\_RISE}$		55		65	V
OVP hysteresis	$V_{OV\_YS}$			900		mV
Over-current trip level	$I_{OCP1}$	Sink	3			A
	$I_{OCP2}$	Source	3			A
Over-current deglitch time <sup>(5)</sup>	$t_{OCP}$			1		$\mu s$
Over-current retry time	$t_{OCPR}$			1.6		ms
Thermal shutdown	$T_{TSD}$			165		$^{\circ}C$
Thermal shutdown hysteresis	$\Delta T_{TSD}$			15		$^{\circ}C$
Open-load current detection	$I_{OLD}$			90		$\mu A$
Open-load detection threshold	$V_{OLD}$	OUT = low	1		1.5	V
		OUT = high, $V_{IN} = 24V$	21.5		23.2	

**Notes:**

5) Not tested in production.

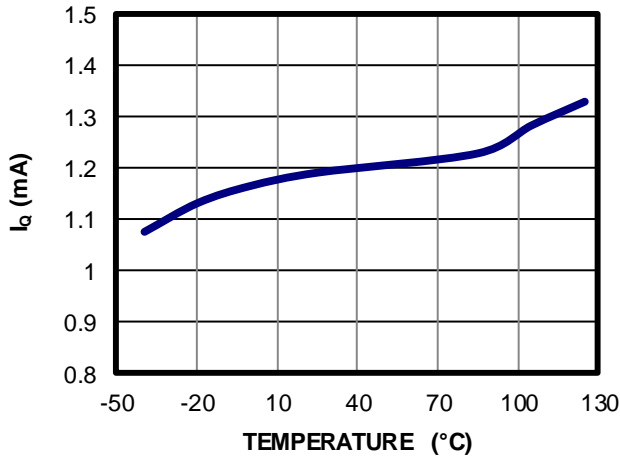
**ELECTRICAL CHARACTERISTICS (continued)**
 $V_{IN} = 24V$ ,  $T_A = -40^{\circ}C$  to  $+125^{\circ}C$ , unless otherwise noted.

Parameter	Symbol	Condition	Min	Typ	Max	Units
<b>Current Control</b>						
Off time	$t_{ITRIP}$	After $V_{ITRIP}$ is reached		16.5		$\mu s$
Blanking time	$t_{BLANK}$			1		$\mu s$
ISET current	$I_{SET}$	HS source, $I_{OUT} = 1A$	69	90	118	$\mu A/A$
		HS sink, $I_{OUT} = 1A$	82	102	131	
		LS source, $I_{OUT} = 1A$	83	104	130	
		LS sink, $I_{OUT} = 1A$	82	103	129	
Current trip voltage	$V_{ITRIP}$	At ISET pin	1.4	1.5	1.6	V

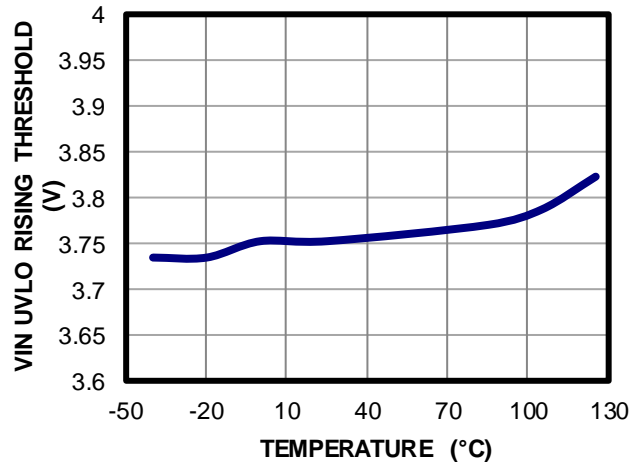
## TYPICAL CHARACTERISTICS

**Quiescent Current vs. Temperature**

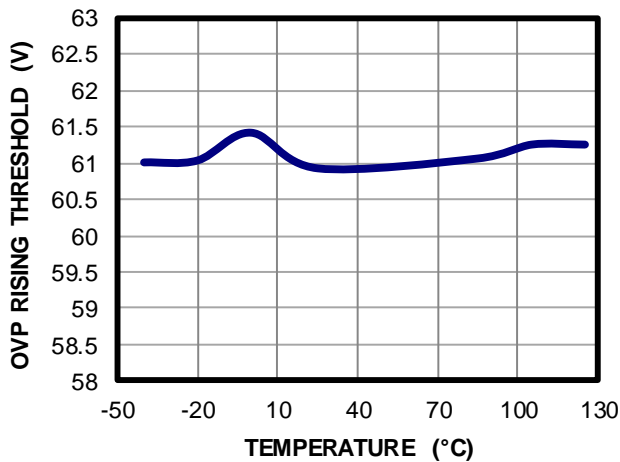
$V_{IN} = 24V$



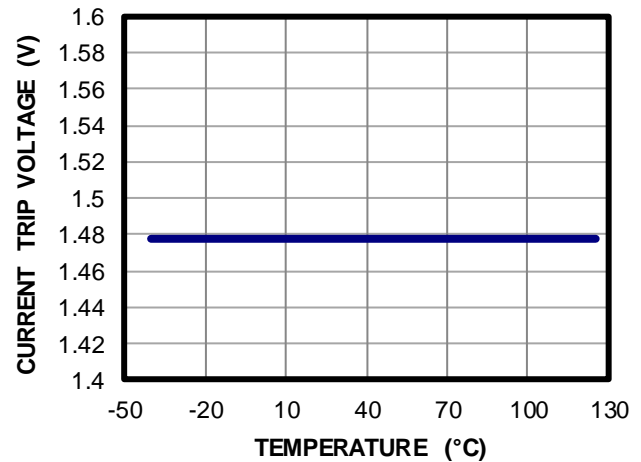
**VIN UVLO Rising Threshold vs. Temperature**



**OVP Rising Threshold vs. Temperature**

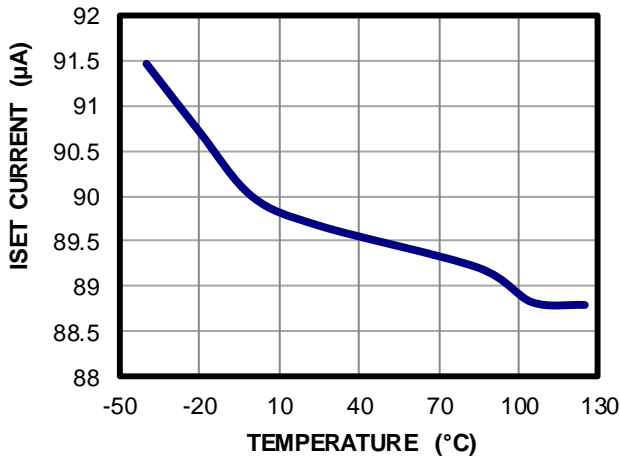


**Current Trip Voltage vs. Temperature**



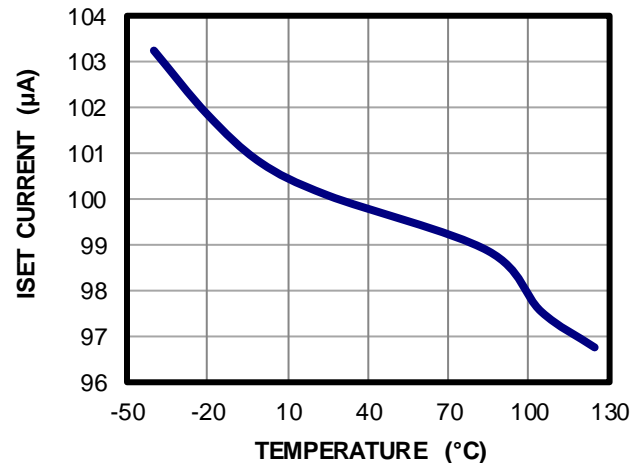
**ISET Current vs. Temperature**

High-side source current,  $I_{OUT} = 1A$

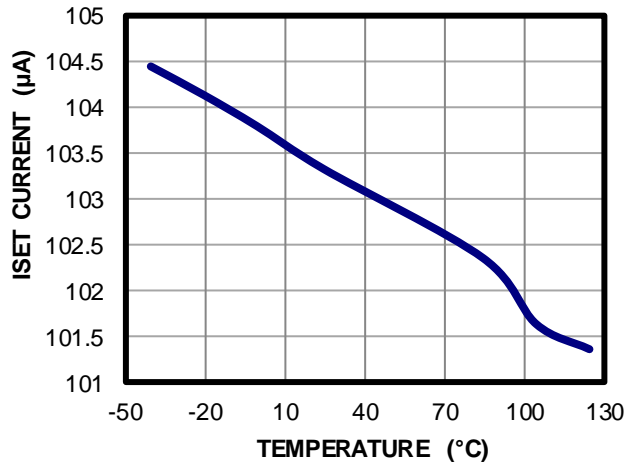


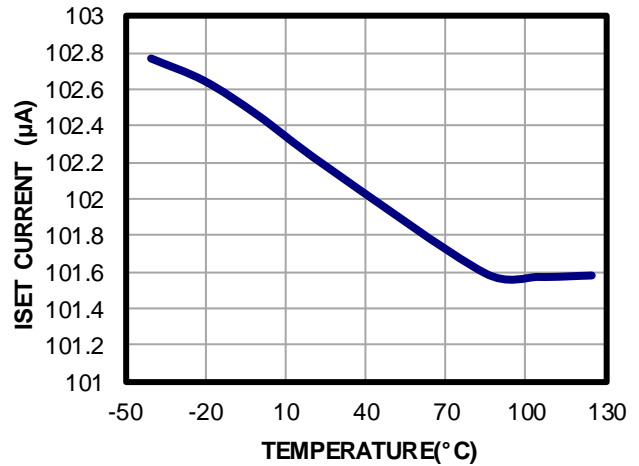
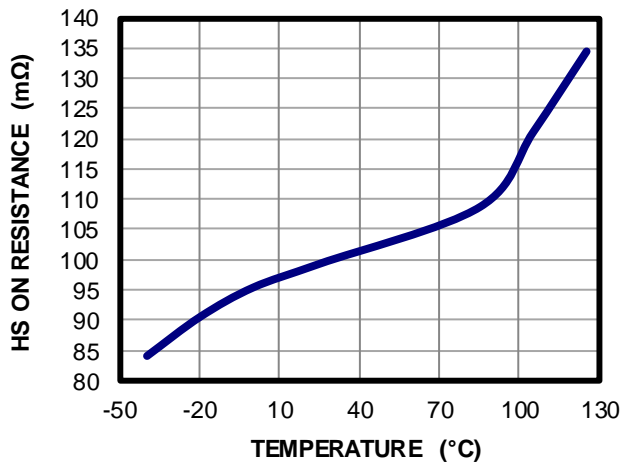
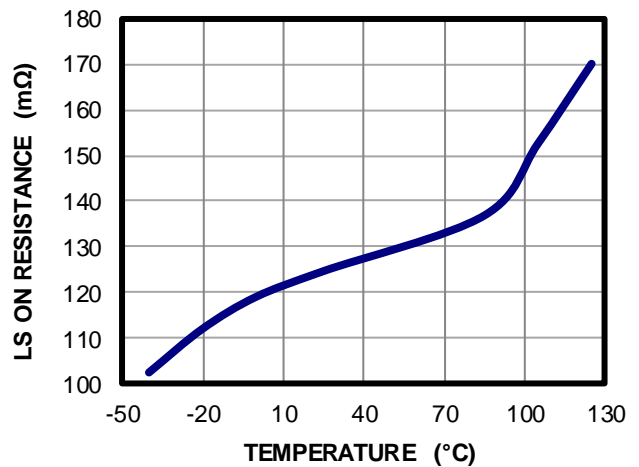
**ISET Current vs. Temperature**

High-side sink current,  $I_{OUT} = 1A$



**TYPICAL CHARACTERISTICS (continued)**
**ISET Current vs. Temperature**

 Low-side source current,  $I_{OUT} = 1A$ 

**ISET Current vs. Temperature**

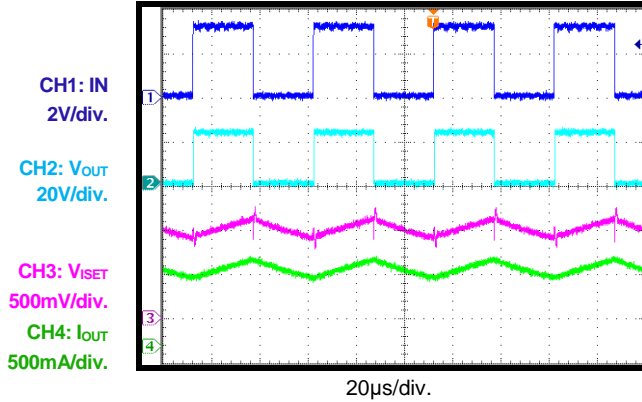
 Low-side sink current,  $I_{OUT} = 1A$ 

**HS On Resistance vs. Temperature**
 $I_{OUT} = 1A$ 

**LS On Resistance vs. Temperature**
 $I_{OUT} = 1A$ 


## TYPICAL PERFORMANCE CHARACTERISTICS

$V_{IN} = 24V$ ,  $EN = \text{high}$ ,  $IN = 20\text{kHz}$  with 50% duty,  $R_{ISET} = 10\text{k}\Omega$ , resistor + inductor load:  $10\Omega + 2\text{mH}$ ,  $T_A = 25^\circ\text{C}$ , unless otherwise noted.

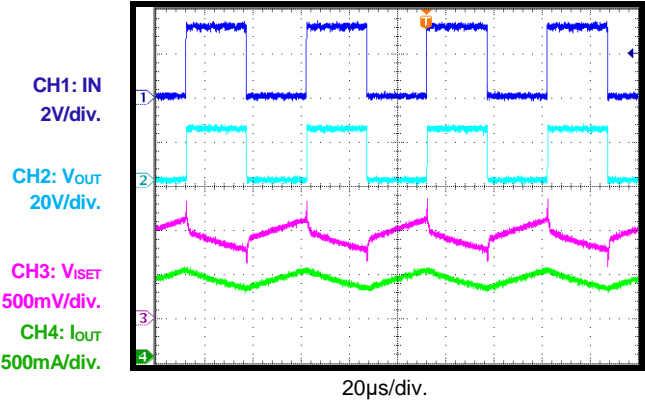
### Steady State

Load to GND



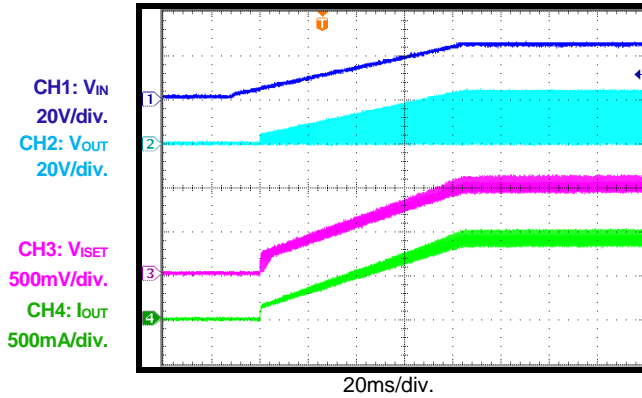
### Steady State

Load to VIN



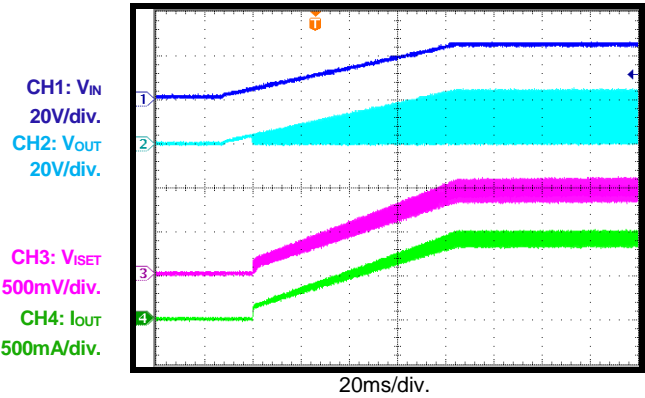
### Power Ramping Up

Load to GND



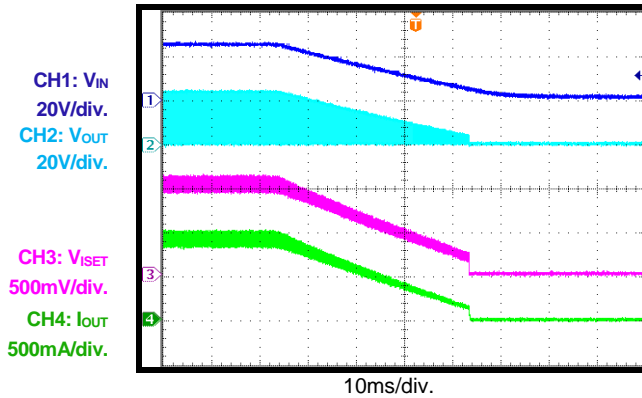
### Power Ramping Up

Load to VIN



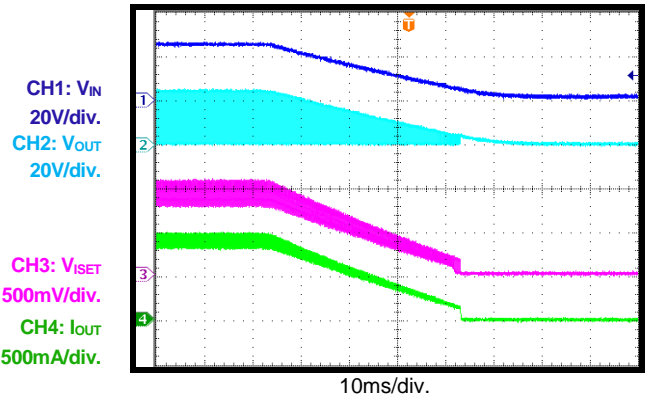
### Power Ramping Down

Load to GND



### Power Ramping Down

Load to VIN



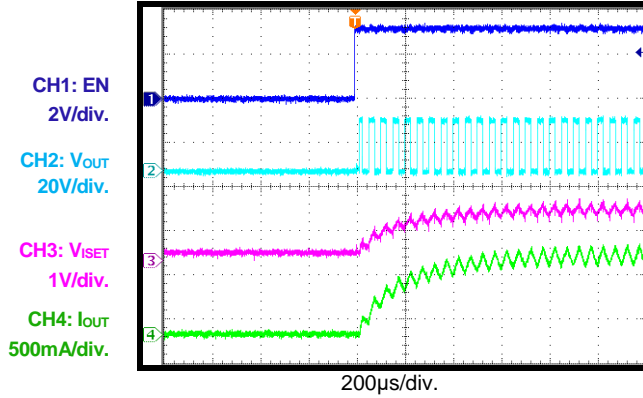


**TYPICAL PERFORMANCE CHARACTERISTICS (continued)**

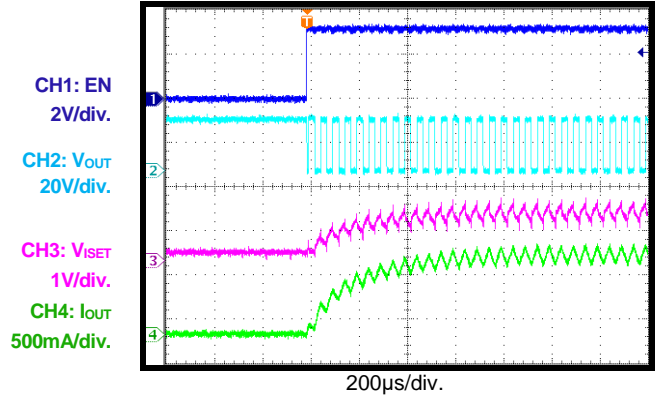
$V_{IN} = 24V$ ,  $EN = \text{high}$ ,  $IN = 20kHz$  with 50% duty,  $R_{ISET} = 10k\Omega$ , resistor + inductor load:  $10\Omega + 2mH$ ,  $T_A = 25^\circ C$ , unless otherwise noted.

**Start-Up through EN**

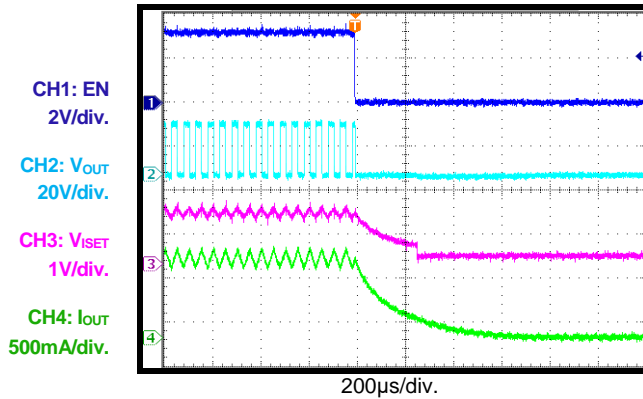
Load to GND


**Start-Up through EN**

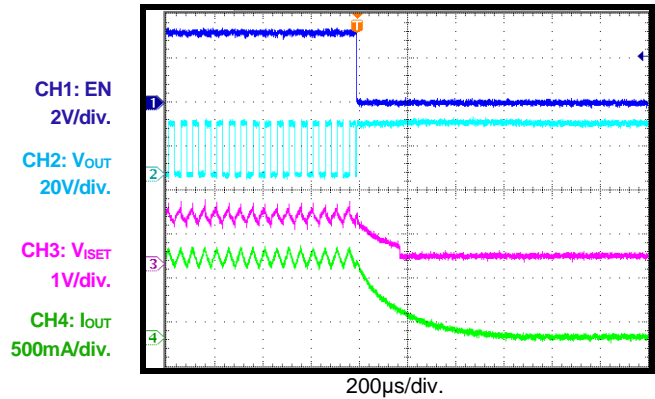
Load to VIN


**Shutdown through EN**

Load to GND


**Shutdown through EN**

Load to VIN



### FUNCTIONAL BLOCK DIAGRAM

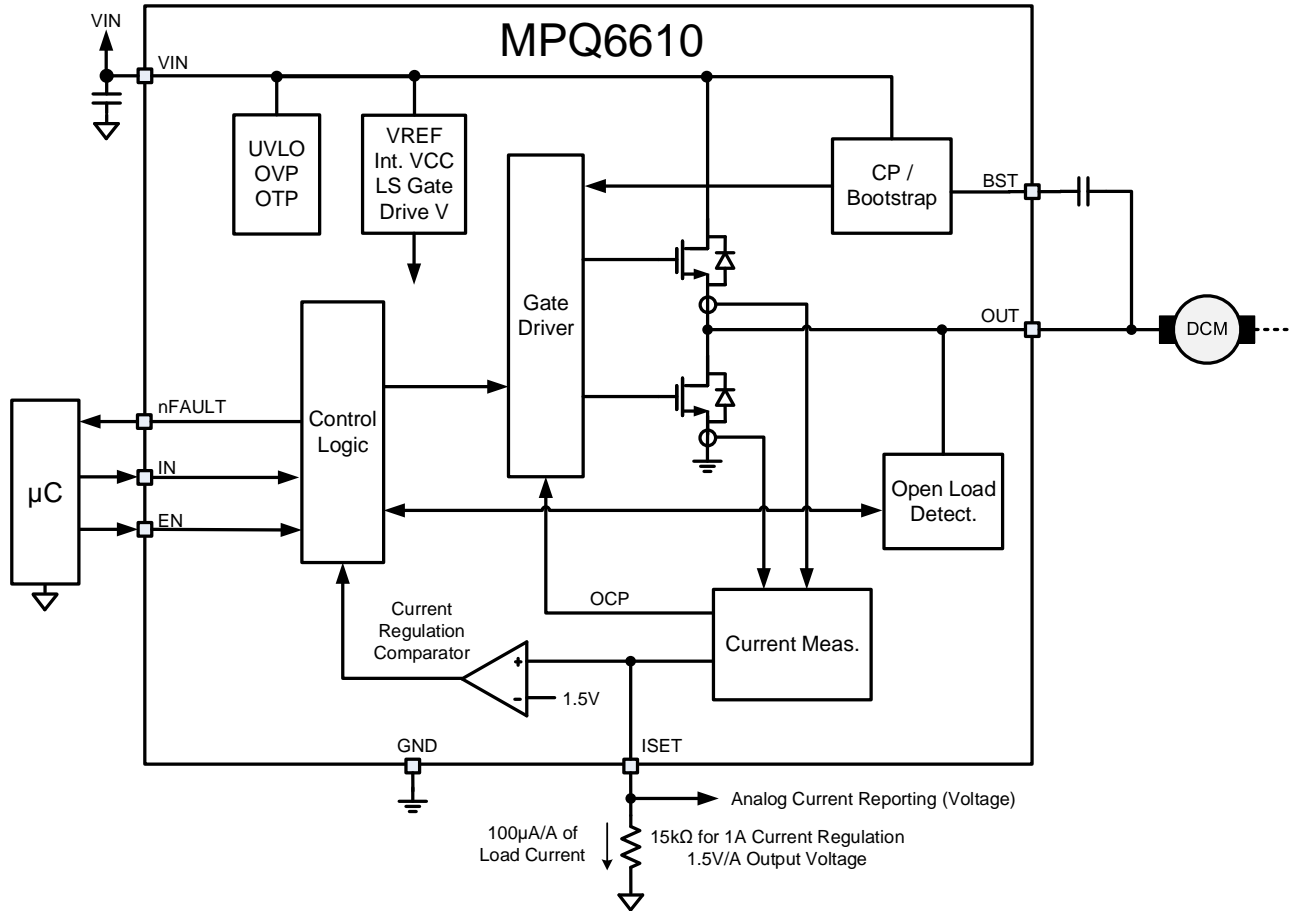


Figure 1: Functional Block Diagram

## OPERATION

The MPQ6610 is a half-bridge driver that integrates two N-channel power MOSFETs with a 3A current capability (depending on the package, ambient temperature, and PCB design). The device operates across a wide 4V to 55V input voltage range. It is designed to drive brushed DC motors, solenoids, or other loads.

### Current-Sense

The current flowing in the low-side MOSFET (LS-FET) or high-side MOSFET (HS-FET) is sensed with an internal current-sense circuit. A voltage that is proportional to the output current is sourced on the ISET pin.

The ISET pin voltage scaling is set by a resistor connected between the ISET pin and ground. For 1A of output current, 100 $\mu$ A of current is sourced into the resistor connected to ISET. For example, if a 10k $\Omega$  resistor is connected between ISET and ground, the output voltage on the ISET pin is 1V/A of output current.

The current is sensed anytime that either the LS-FET or HS-FET is on.

### Current Limit and Regulation

The current in the output is limited using constant-off-time (COT) pulse-width modulation (PWM) control circuitry. Figure 2 shows the device's current regulation system, described below:

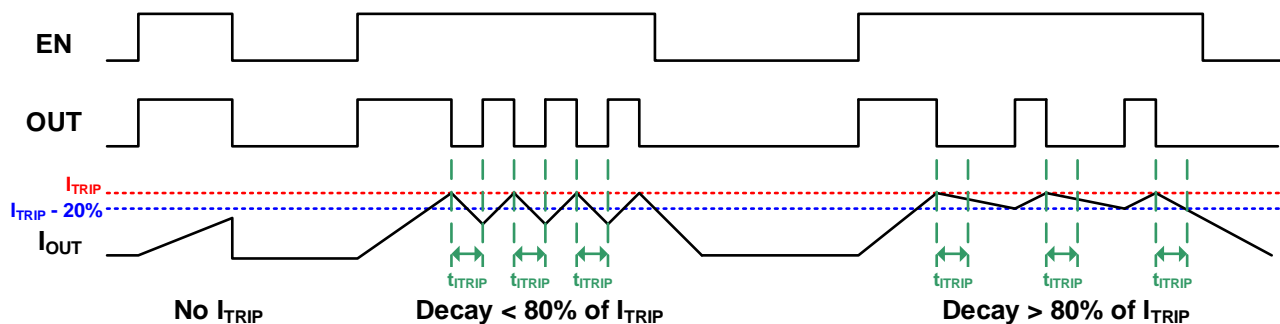
1. First, a MOSFET turns on and drives current through the load.
2. The current increases in the load, which is then sensed by the internal current-sense circuit.

3. If the load current reaches the current trip threshold, the output changes its state (if it was driving high, it goes low; if it was driving low, it goes high).
4. If the load current has fallen at 80% of the current limit threshold after a fixed off time ( $t_{TRIP}$ ), the original MOSFET is re-enabled. Then the cycle repeats.
5. If the current is still above this level, the off time is extended until the current falls to 80% of the current limit threshold.

The current limit threshold is reached when the ISET pin reaches 1.5V. For example, with a 10k $\Omega$  resistor connected from ISET to ground, the ISET pin voltage is 1V/A of output current. Therefore, when the current reaches 1.5A, the ISET pin voltage reaches 1.5V, and a current trip occurs.

### Blanking Time

There is often a current spike while the MOSFET turns on, which can be caused by the body diode's reverse recovery current or by the shunt capacitance of the load. This current spike requires filtering to prevent it from erroneously shutting down the enabled MOSFET. An internal fixed blanking time ( $t_{BLANK}$ ) blanks the output of the current-sense comparator when the output is switched. This blanking time also sets the minimum time for which the output remains high or low after the input has changed.



**Figure 2: Current Regulation**

### Charge Pump and Bootstrap

To generate the high-side gate drive voltage for the internal N-channel high-side MOSFET (HS-FET), a bootstrap capacitor is used in conjunction with an internal trickle charge pump. The bootstrap capacitor provides the high peak current required to switch the MOSFET quickly, and the internal trickle charge pump keeps the bootstrap capacitor charged during long periods when the output is not switching.

### Input Logic

Each MOSFET in the MPQ6610 is controlled independently using the IN and EN pins (see Table 1).

**Table 1: Input Logic Table**

EN	IN	OUT
0	0	Hi-Z
0	1	Hi-Z
1	0	Low
1	1	High

The input pins are designed such that they can be driven with a logic level voltage even when the main power to the device is inactive.

### Protection and Diagnostic Functions

The MPQ6610 provides an nFAULT pin, which is driven active low if any of the protection circuits are activated. These fault conditions include over-current (OC) and over-temperature protection (OTP), as well as open-load detection. nFAULT is not driven low if a current limit trip occurs. nFAULT is an open-drain output, and requires an external pull-up resistor. When the fault condition is removed, the nFAULT pin is pulled inactive high by the pull-up resistor.

### Over-Current Protection (OCP)

If the current through any MOSFET exceeds the over-current (OC) threshold for longer than the over-current deglitch time, an over-current fault is triggered.

If an OC fault occurs, the state of the output is reversed until the current approaches 0A. Then both MOSFETs are disabled, and the nFAULT pin is driven low. The driver remains disabled for about 1.6ms, then is automatically re-enabled.

OC conditions are sensed on both the high-side (HS) and low-side (LS) devices. OC conditions include a short to ground, to supply, or across the motor winding, which results in an over-current shutdown). Note that OCP does not use the same current-sense circuitry that is used for PWM current control, so it is independent of the ISET resistor value.

### Open-Load Detection

When the output is in a high-impedance state (EN = 0), the internal circuits pull the OUT pin to  $V_{IN} / 2$  by a weak current. If a load is connected between OUT and ground, then the load pulls the OUT pin close to ground. If a load is connected to VIN, then OUT is pulled close to the value on VIN.

If the voltage on OUT ( $V_{OUT}$ ) is almost  $V_{IN} / 2$ , an open-load condition is detected, and the nFAULT pin is driven active low. The fault is cleared when EN is made active.

### Input Under-Voltage Lockout (UVLO) Protection

If the voltage on VIN ( $V_{IN}$ ) falls below the under-voltage lockout (UVLO) threshold at any time, all circuitry in the device is disabled and the internal logic is reset. Once  $V_{IN}$  exceeds the UVLO threshold, the MPQ6610 resumes normal operation.

### Over-Voltage Protection (OVP)

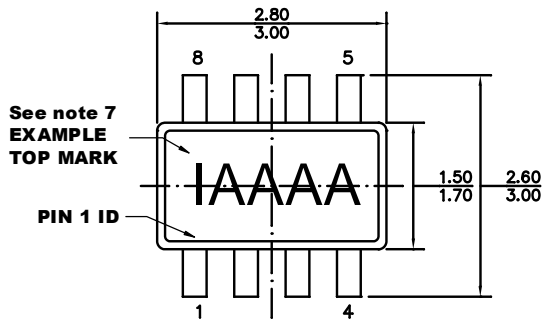
If  $V_{IN}$  exceeds the over-voltage protection (OVP) threshold, the device is disabled. Once  $V_{IN}$  falls below the OVP threshold, the MPQ6610 resumes normal operation.

### Thermal Shutdown

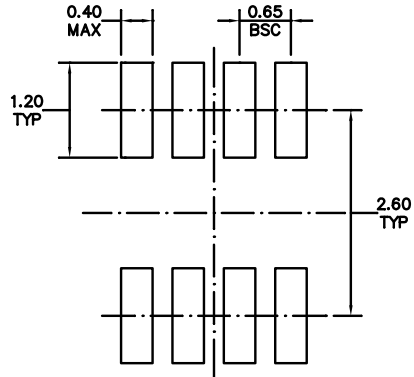
If the die temperature exceeds its safe limits, all MOSFETs in the H-bridge are disabled, and the nFAULT pin goes low. Once the die temperature drops to a safe level, the device automatically resumes normal operation.

# PACKAGE INFORMATION

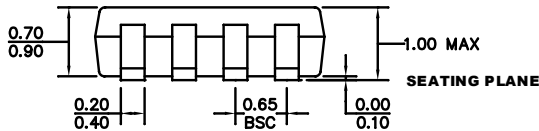
## TSOT23-8



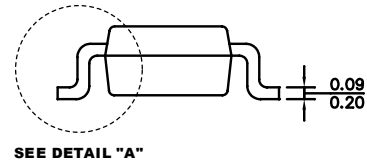
**TOP VIEW**



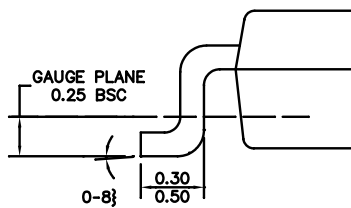
**RECOMMENDED LAND PATTERN**



**FRONT VIEW**



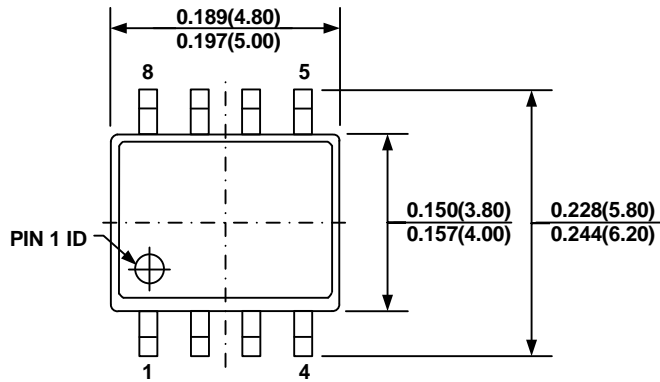
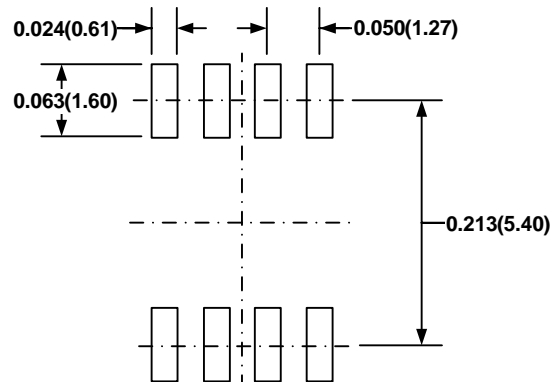
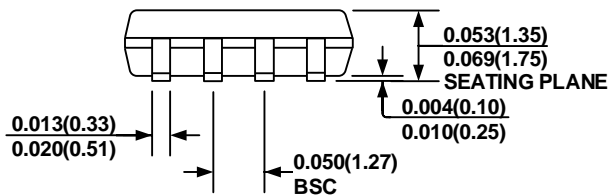
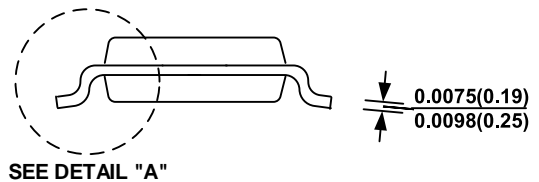
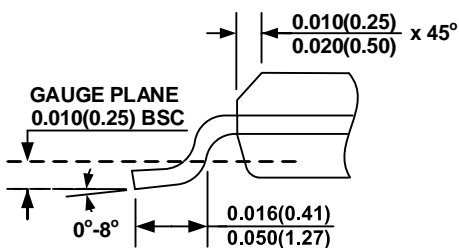
**SIDE VIEW**



**DETAIL "A"**

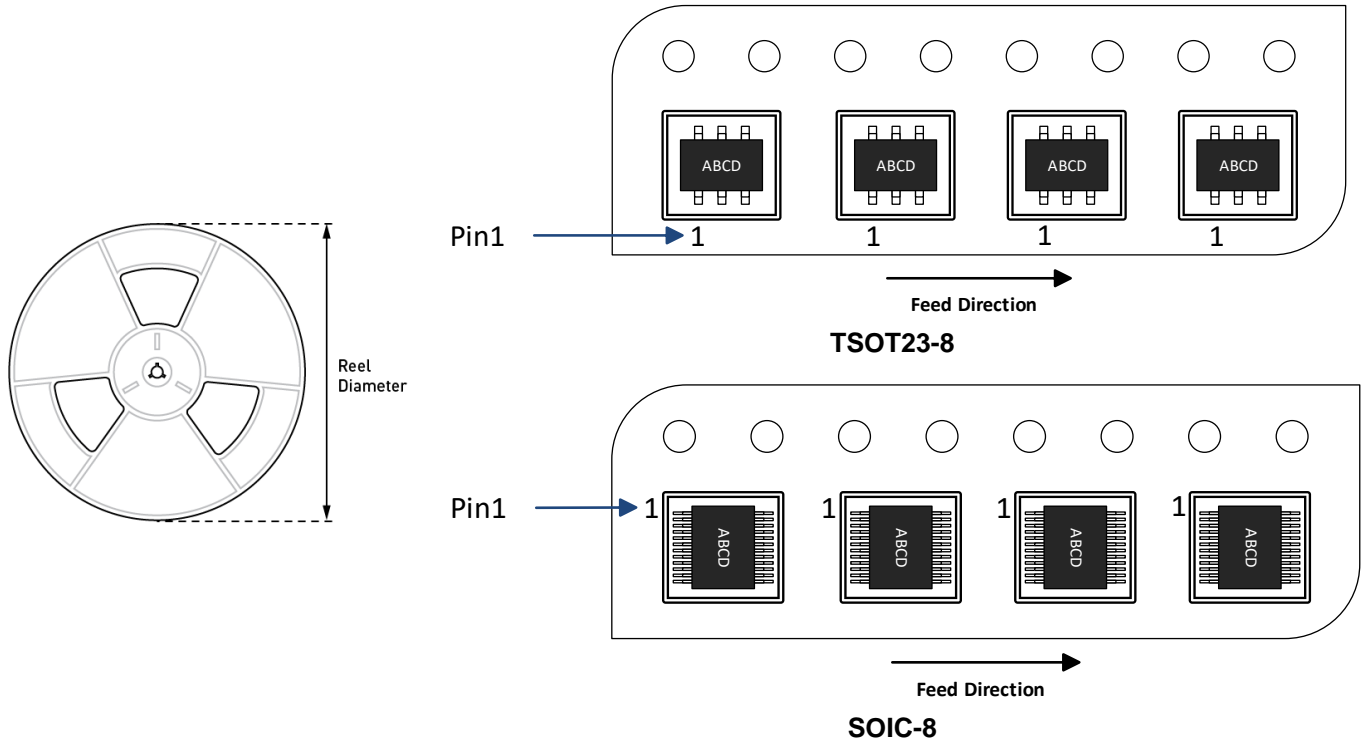
### NOTE:

- 1) ALL DIMENSIONS ARE IN MILLIMETERS.
- 2) PACKAGE LENGTH DOES NOT INCLUDE MOLD FLASH, PROTRUSION, OR GATE BURR.
- 3) PACKAGE WIDTH DOES NOT INCLUDE INTERLEAD FLASH OR PROTRUSION.
- 4) LEAD COPLANARITY (BOTTOM OF LEADS AFTER FORMING) SHALL BE 0.10 MILLIMETERS MAX.
- 5) JEDEC REFERENCE IS MO-193, VARIATION BA.
- 6) DRAWING IS NOT TO SCALE.
- 7) PIN 1 IS LOWER LEFT PIN WHEN READING TOP MARKING FROM LEFT TO RIGHT (SEE EXAMPLE TOP MARKING).

**PACKAGE INFORMATION**
**SOIC-8**

**TOP VIEW**

**RECOMMENDED LAND PATTERN**

**FRONT VIEW**

**SIDE VIEW**

**DETAIL "A"**
**NOTE:**

- 1) CONTROL DIMENSION IS IN INCHES. DIMENSION IN BRACKET IS IN MILLIMETERS.
- 2) PACKAGE LENGTH DOES NOT INCLUDE MOLD FLASH, PROTRUSIONS OR GATE BURRS.
- 3) PACKAGE WIDTH DOES NOT INCLUDE INTERLEAD FLASH OR PROTRUSIONS.
- 4) LEAD COPLANARITY (BOTTOM OF LEADS AFTER FORMING) SHALL BE 0.004" INCHES MAX.
- 5) DRAWING CONFORMS TO JEDEC MS-012, VARIATION AA.
- 6) DRAWING IS NOT TO SCALE.

### CARRIER INFORMATION



Part Number	Package Description	Quantity/ Reel	Quantity/ Tube	Quantity/ Tray	Reel Diameter	Carrier Tape Width	Carrier Tape Pitch
MPQ6610GJ-AEC1-Z	TSOT23-8	3000	N/A	N/A	7in	8mm	4mm
MPQ6610GS-AEC1-Z	SOIC-8	2500	100	N/A	13in	12mm	8mm

## Revision History

Revision #	Revision Date	Description	Pages Updated
1.0	11/20/2020	Initial Release	-

**Notice:** The information in this document is subject to change without notice. Users should warrant and guarantee that third-party Intellectual Property rights are not infringed upon when integrating MPS products into any application. MPS will not assume any legal responsibility for any said applications.