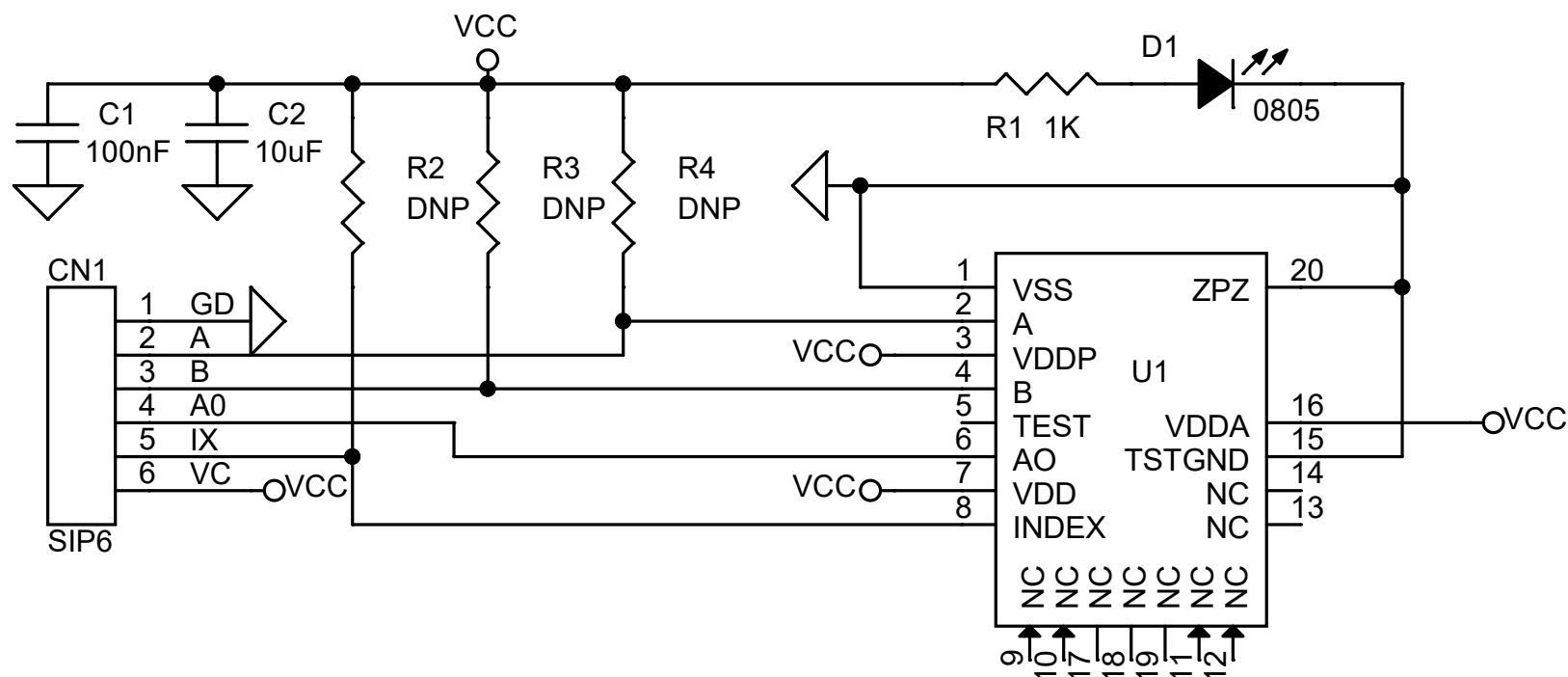


5 4 3 2 1



AS5304A

DO NOT INSTALL R2, R3, R4 WHEN AS5403A CHIP IS USED, RECOMNDED FOR AS5403B

5 4 3 2 1