

5

4

3

2

1

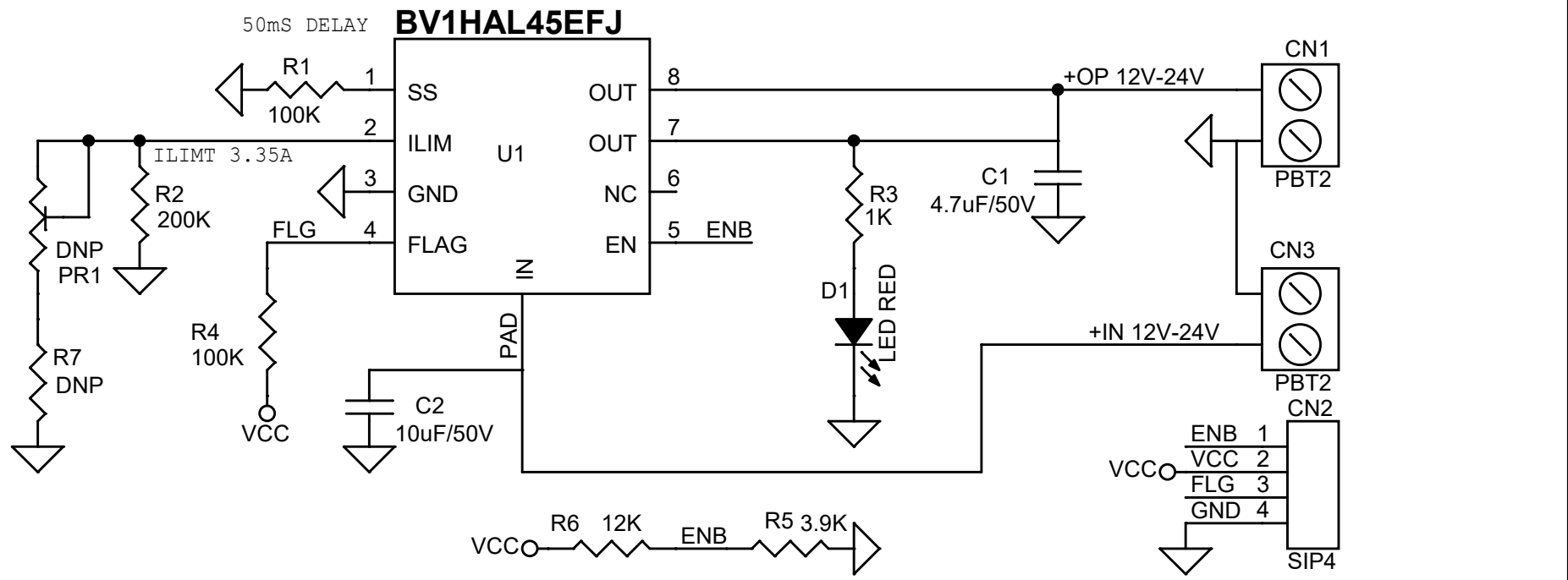
5

4

3

2

1



VCC=5V DC Input for fault function Pull-Up, Output is Default Enabled