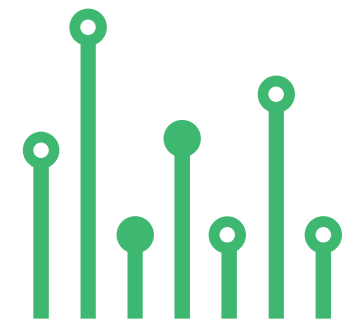


THE  
**electronics-lab**  
.com  
from ideas to  
**boards**

[electronics-lab - Projects](#) | [Embedded News](#) | [Online Community](#) | [e-Shop](#)

Open Source Hardware Electronics Projects

[electronics-lab.com](#) /[projects](#)





ARDUINO



# 8 Channel ESP32 Remote Control



SKU: EL140893

## 8 Channel ESP32 Remote Control

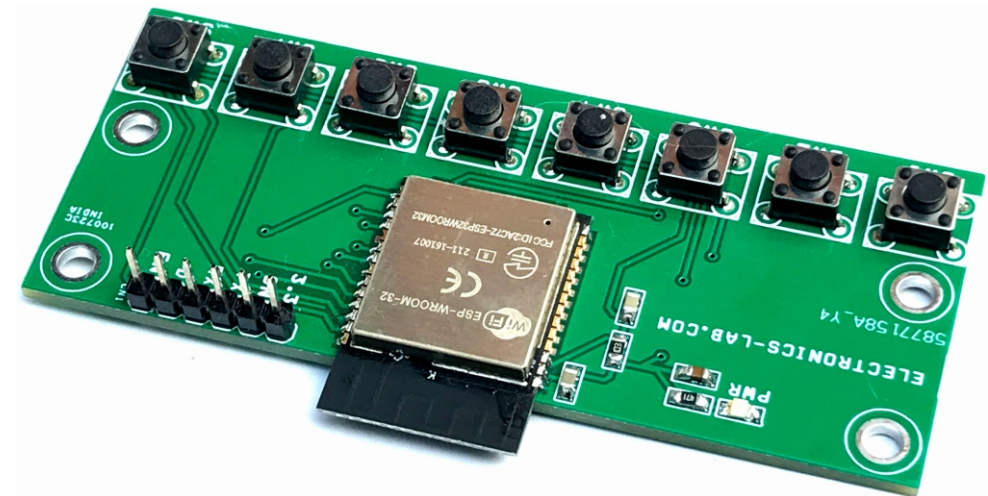


This is an 8-channel remote in a compact board suitable for remote ON/OFF applications using Bluetooth or Wi-Fi protocol. The board consists of an ESP32 module and 8 tactile switches connected to various GPIO. The circuit works with 3.3VDC power supply and a Li-Ion battery can be used to power the board. The onboard LED indicates the power. There is an onboard programming connector that helps users program the ESP32 module using Arduino IDE. The users have to write their own code to use the module, according to their requirements.

More information about ESP32 Module and Programming: <https://randomnerdtutorials.com/getting-started-with-esp32/>

### FEATURES

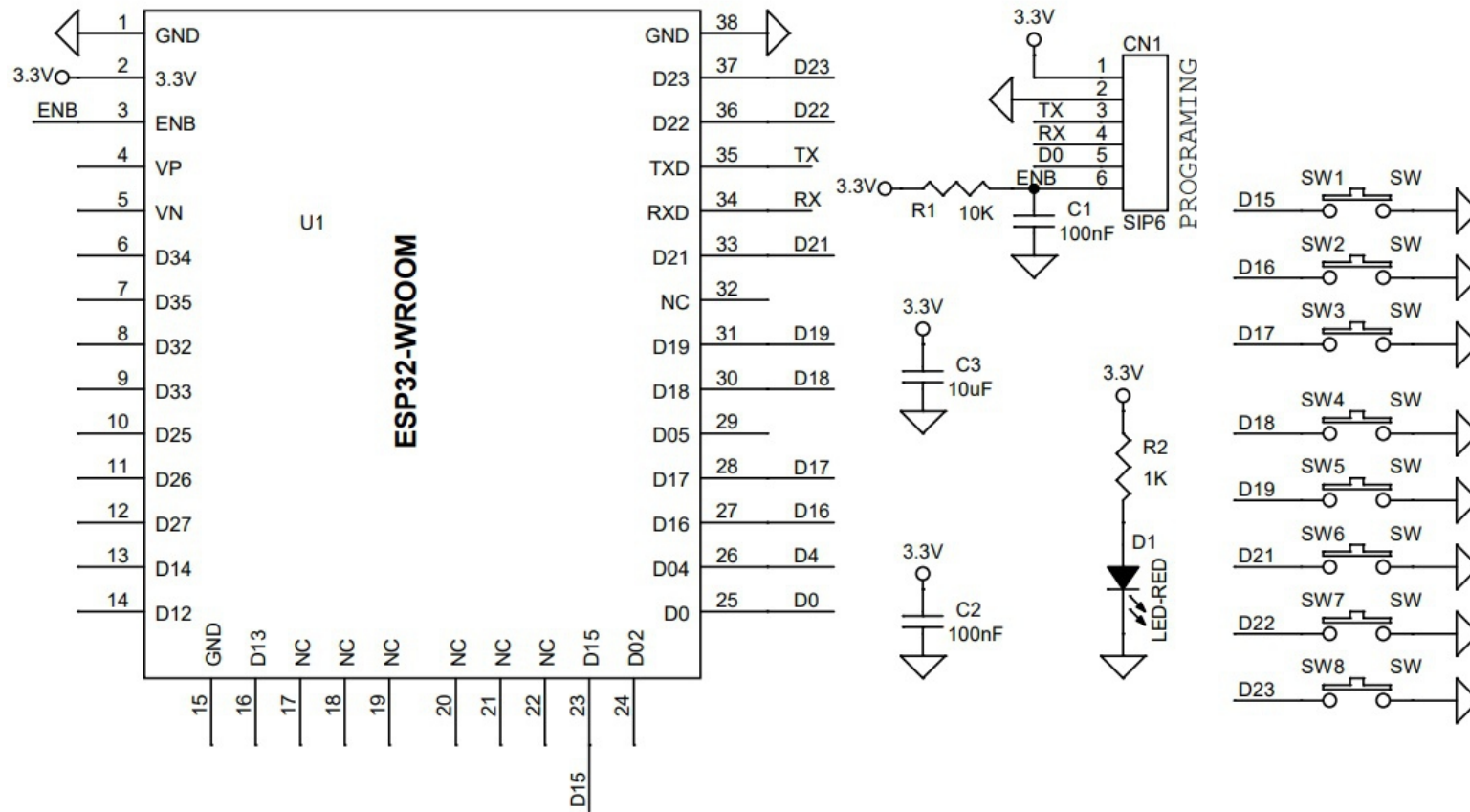
- Power 3.3V DC
- On Board Programming Connector for ESP32
- On Board 8 Tactile Switches
- 2 X 3MM Mounting Holes
- PCB Dimensions 80.65 X 33.66 MM



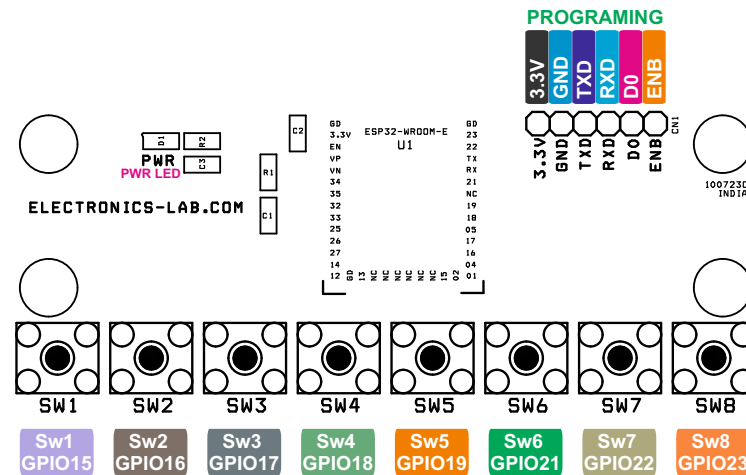
## Connections and Other Details

- CN1 Programming and Power Input: Pin 1 = 3.3V DC, Pin 2 = GND, Pin 3 = TX, Pin 4 = RX, Pin 5 = GPIO0, Pin 6 = Enable
- SW1:GPIO15, SW2:GPIO16, SW3:GPIO17, SW4:GPIO18, SW5:GPIO19, SW6:GPIO21, SW7:GPIO22, SW8:GPIO23
- D1: Power LED

# Schematic



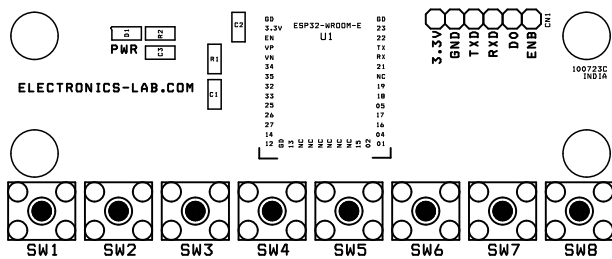
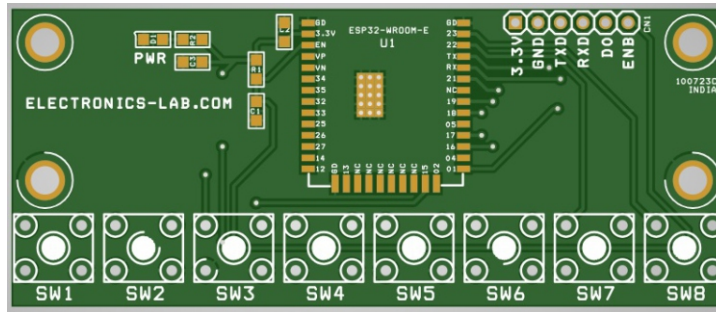
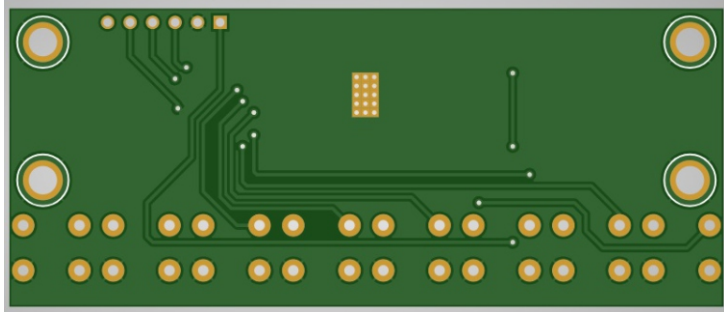
# Connections



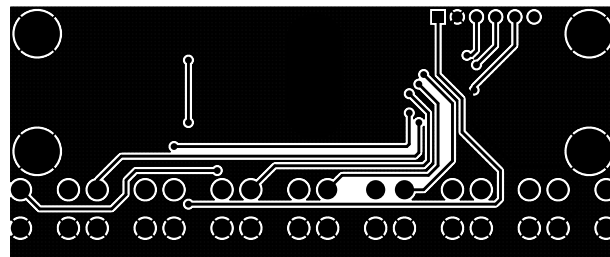
## Connections and Other Details

- CN1 Programming and Power Input: Pin 1 = 3.3V DC, Pin 2 = GND, Pin 3 = TX, Pin 4 = RX, Pin 5 = GPIO0, Pin 6 = Enable
- SW1:GPIO15, SW2:GPIO16, SW3:GPIO17, SW4:GPIO18, SW5:GPIO19, SW6:GPIO21, SW7:GPIO22, SW8:GPIO23
- D1: Power LED

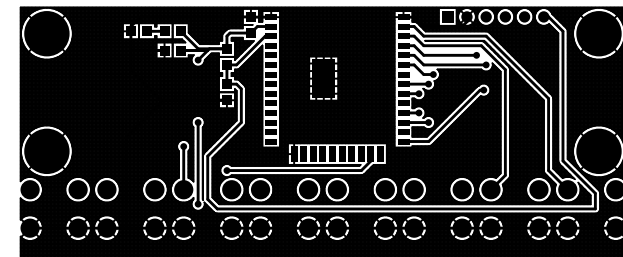
# PCB



SILK SCREEN TOP



BOTTOM LAYER



TOP LAYER

PCB DIMENSIONS 80.65 X 33.66 MM

# Parts List

---

BOM						
NO.	QNTY.	REF.	DESC	MANUFACTURER	SUPPLIER	SUPPLIER PART NO
1	1	CN1	6 PIN MALE HEADER PITCH 2.54MM	WURTH	DIGIKEY	732-5319-ND
2	2	C1,C2	100nF/25V CERAMIC SMD SIZE 0805	YAGEO/MURATA	DIGIKEY	
3	1	C3	10uF/10V CERAMIC SMD SIZE 0805	YAGEO/MURATA	DIGIKEY	
4	1	D1	LED-RED SMD SIZE 0805	OSRAM	DIGIKEY	475-1278-1-ND
5	1	R1	10K 5% SMD SIZE 0805	YAGEO/MURATA	DIGIKEY	
6	1	R2	1K 5% SMD SIZE 0805	YAGEO/MURATA	DIGIKEY	
7	8	SW1-SW8	TACTILE SWITCH	NKK SWITCH	DIGIKEY	HP0215AFKP2-ND
8	1	U1	ESP32-WROOM-MODULE	ESP	DIGIKEY	ALIEXPRESS/EBAY







Keep  
In touch..

electronics-lab  
.com

info@electronics-lab.com  
www.electronics-lab.com

from ideas to **boards**

